

DATE	SIGNATURE	DISCIPLINES
DATE	SIGNATURE	DISCIPLINES

ITEM NO.: SK-04101A/B
 NAME: AIR COMPRESSOR SKIDS
 SIZE/TYPE: AIR COMPRESSORS
 DESIGN CONDITIONS: 1.35 MPa(g) @ 125°C
 1.0 MPa(g) @ 110°C
 OPERATING CONDITIONS: 8.8Nm³/min
 60kW/EACH

E-04101A/B
 AIR COMPRESSOR COOLER
 1.35 MPa(g) @ 125°C
 1.0 MPa(g) @ 110/80°C
 8.8Nm³/min

SE-04104A/B
 WATER SEPARATORS
 1.35 MPa(g) @ 4-85°C
 1.0 MPa(g) @ 60°C
 8.8Nm³/min

V-04201
 UTILITY AIR RECEIVER
 20m³
 1.35 MPa(g) @ 4-85°C
 1.0 MPa(g) @ 60°C
 8.8Nm³/min

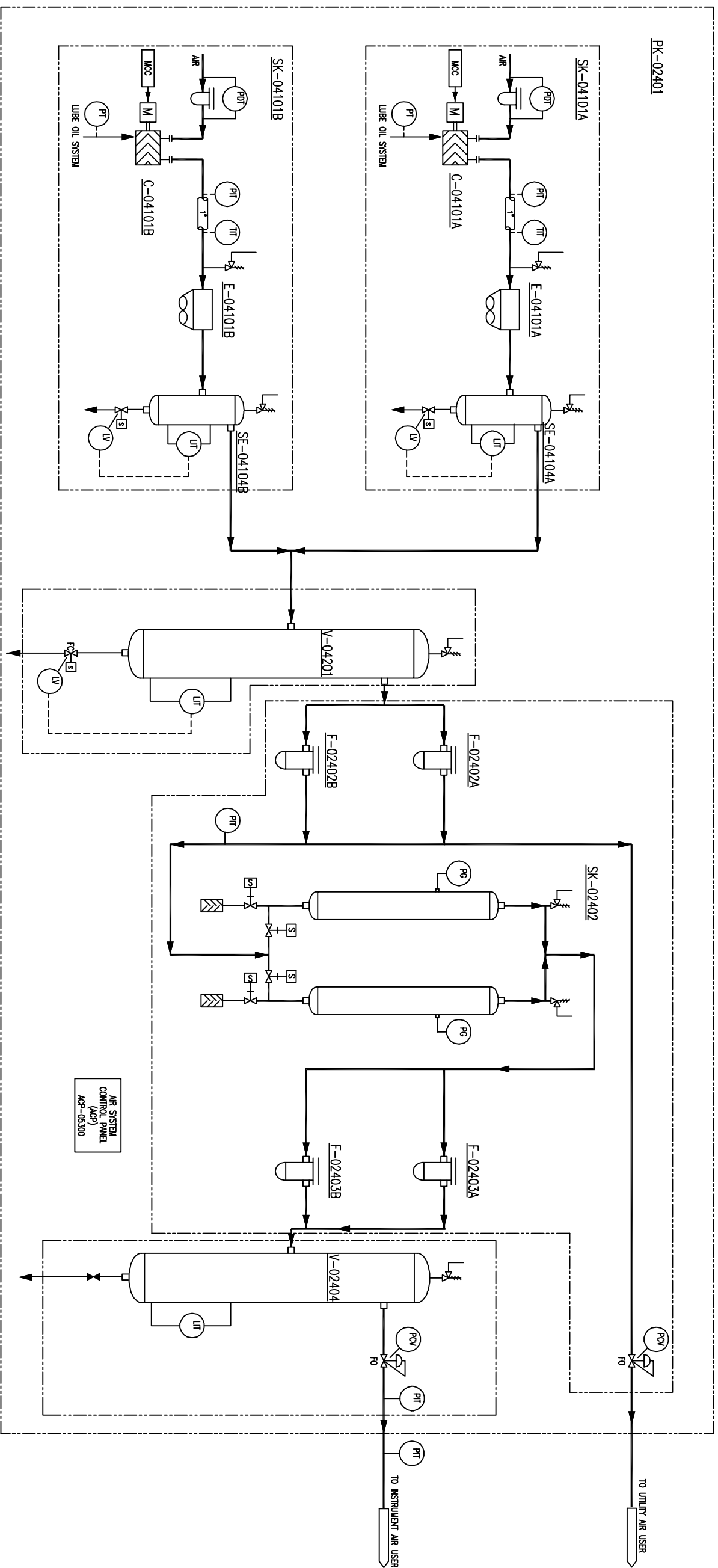
F-02402A/B
 PRE-FILTERS
 1.35 MPa(g) @ 4-85°C
 1.0 MPa(g) @ 60°C
 8.8Nm³/min

SK-02402
 DESICCANT DRYER SKID
 1.35 MPa(g) @ 4-85°C
 1.0 MPa(g) @ 60°C
 -20°C DEW POINT @ 1.0MPa(g)

F-02403A/B
 AFTER FILTERS
 1.35 MPa(g) @ 4-85°C
 1.0 MPa(g) @ 60°C
 8.8Nm³/min

V-02404
 INSTRUMENT AIR RECEIVER
 40m³
 1.35 MPa(g) @ 4-85°C
 1.0 MPa(g) @ 60°C

PK-02401
 AIR COMPRESSOR PACKAGE



- NOTE:
1. INSTRUMENTS AND CONTROL SYSTEM PROVIDED BY THE IAS VENDOR.
 2. GENERAL ALARM INFORMATION SHALL BE TRANSMITTED TO DCS SYSTEM.
 3. THE DETAIL OF THIS PACKAGE IS INDICATIVE & SHOULD BE FINALIZED BY VENDOR.

DRAWING NO.	REFERENCE DRAWINGS				
REV.	DATE				
DO	04 Nov. 2009				
DESCRIPTION	APPROVED FOR CONSTRUCTION				
BY	CHECKED	REVIEWED	APPROVED	SCALE	PHASE: DETAIL DESIGN
LIU J.	HAO R.J.	ZHU Y.H.	ZHANG J.M.	BY	DATE
				CHK.	DATE
				REV.	DATE
				APP.	DATE
DOCUMENT TITLE:	MIS OIL FIELD DEVELOPMENT PROJECT				
INSTRUMENT AIR SYSTEM	PU & DP				
UTILITY FLOW DIAGRAM	INSTRUMENT AIR SYSTEM				
CONTRACT No.:	0812008				
DWG. No.:	MIS-PP-PR-FU-0301				
SIZE:	A3				
REV.:	1 of 1				
REV.:	200				

CNPC/NESSCO

CNPC SICHUAN PETROLEUM

CONCEPT DESIGN

CONCEPT DESIGN