

Technical Information

Levelflex FMP51, FMP52, FMP54

Guided wave radar

Level and interface measurement in liquids



Application

- Rod, rope or coax probe
- Process connection: Starting 3/4" thread, flange or process connections for hygiene requirements (Tri-Clamp, 11851)
- Process temperature: -196 to +450 °C (-320 to +842 °F)
- Process pressure: -1 to +400 bar (-14.5 to +5800 psi)
- Maximum measuring range: Rod 10 m (33 ft); rope 45 m (148 ft); coax 6 m (20 ft)
- Accuracy: ±2 mm (±0.08 in)
- International explosion protection certificates; WHG; marine approval; steam boiler approval; EN10204-3.1
- Linearity protocol (3-point, 5-point)

Your benefits

- Reliable measurement even for changing product and process conditions
- HistoROM data management for easy commissioning, maintenance and diagnostics
- Highest reliability due to Multi-Echo Tracking
- Hardware and software developed according to IEC 61508 (up to SIL3)
- Seamless integration into control or asset management systems
- Intuitive user interface in national languages
- *Bluetooth*® wireless technology for commissioning, operation and maintenance via free iOS / Android app SmartBlue
- Easy proof test for SIL and WHG
- Heartbeat Technology™

Table of contents

Important document information	4	Electromagnetic compatibility (EMC)	75
Symbols used	4		
Function and system design	5	Process	76
Measuring principle	5	Process temperature range	76
Measuring system	8	Process pressure range	76
		Dielectric constant (DC)	77
		Extension of the rope probes due to temperature	77
Input	13	Mechanical construction	78
Measured variable	13	Dimensions	78
Measuring range	13	Probe length tolerances	86
Blocking distance	15	Surface roughness of AlloyC coated flanges	86
Measuring frequency spectrum	15	Shortening probes	86
		Weight	87
Output	16	Materials: Housing GT18 (stainless steel, corrosion-resistant)	88
Output signal	16	Materials: GT19 housing (plastic)	89
Signal on alarm	17	Materials: GT20 housing (die-cast aluminum, powder-coated)	90
Linearization	17	Materials: Process connection	92
Galvanic isolation	17	Materials: Probe	93
Protocol-specific data	18	Materials: Mounting bracket	96
		Materials: Adapter and cable for remote sensor	97
		Materials: Weather protection cover	98
Power supply	23	Operability	99
Terminal assignment	23	Operating concept	99
Device plugs	32	Local operation	100
Power supply	33	Operation with remote display and operating module	
Power consumption	36	FHX50	100
Current consumption	36	Operation via Bluetooth® wireless technology	101
Power supply failure	37	Remote operation	102
Potential equalization	37	Integration in tank gauging system	105
Terminals	37	SupplyCare inventory management software	106
Cable entries	37	Certificates and approvals	109
Cable specification	37	CE mark	109
Overvoltage protection	38	RoHS	109
		RCM-Tick marking	109
		Ex approval	109
		Dual seal according to ANSI/ISA 12.27.01	109
Performance characteristics	39	Functional safety	109
Reference operating conditions	39	Overfill prevention	109
Reference accuracy	39	Hygienic compatibility	109
Resolution	42	AD2000	109
Response time	42	NACE MR 0175 / ISO 15156	110
Influence of ambient temperature	42	NACE MR 0103	110
Influence of gas phase	43	ASME B31.1 and B31.3	110
Gas phase compensation with external pressure sensor (PROFIBUS PA / FOUNDATION Fieldbus)	43	Pressure equipment with allowable pressure ≤ 200 bar (2 900 psi)	110
Gas phase compensation using reference signal (option for FMP54)	44	Pressure equipment with allowable pressure > 200 bar (2 900 psi)	110
		Steam boiler approval	110
Installation	46	Marine approval	111
Installation conditions	46	Radio approval	111
		CRN approval	111
Operating conditions: Environment	68	Experience	112
Ambient temperature	68	Test, certificate	113
Ambient temperature limits	68		
Storage temperature	75		
Climate class	75		
Altitude according to IEC61010-1 Ed.3	75		
Degree of protection	75		
Vibration resistance	75		
Cleaning the probe	75		

Hard-copy product documentation	113
Other standards and guidelines	114
Ordering information	115
Ordering information	115
3-point linearity protocol	116
5-point linearity protocol	117
Customer-specific configuration	119
Tagging (TAG)	119
Application packages	120
Heartbeat Diagnostics	120
Heartbeat Verification	121
Heartbeat Monitoring	122
Accessories	123
Device-specific accessories	123
Communication-specific accessories	135
Service-specific accessories	136
System components	136
Supplementary documentation	136
Brief Operating Instructions (KA)	136
Operating Instructions (BA)	136
Safety Instructions (XA)	136

Important document information

Symbols used

Safety symbols



This symbol alerts you to a dangerous situation. Failure to avoid this situation will result in serious or fatal injury.



This symbol alerts you to a dangerous situation. Failure to avoid this situation can result in serious or fatal injury.



This symbol alerts you to a dangerous situation. Failure to avoid this situation can result in minor or medium injury.



This symbol contains information on procedures and other facts which do not result in personal injury.

Electrical symbols



Direct current



Alternating current



Direct current and alternating current



Ground connection

A grounded terminal which, as far as the operator is concerned, is grounded via a grounding system.



Protective earth (PE)

Ground terminals that must be connected to ground prior to establishing any other connections. The ground terminals are located on the inside and outside of the device.

- Interior ground terminal; protective earth is connected to the mains supply.
- Exterior ground terminal; device is connected to the plant grounding system.

Symbols for certain types of information and graphics



Procedures, processes or actions that are permitted



Procedures, processes or actions that are forbidden



Indicates additional information



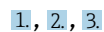
Reference to documentation



Reference to graphic



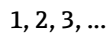
Notice or individual step to be observed



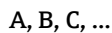
Series of steps



Result of a step



Item numbers



Views



Temperature resistance of the connection cables

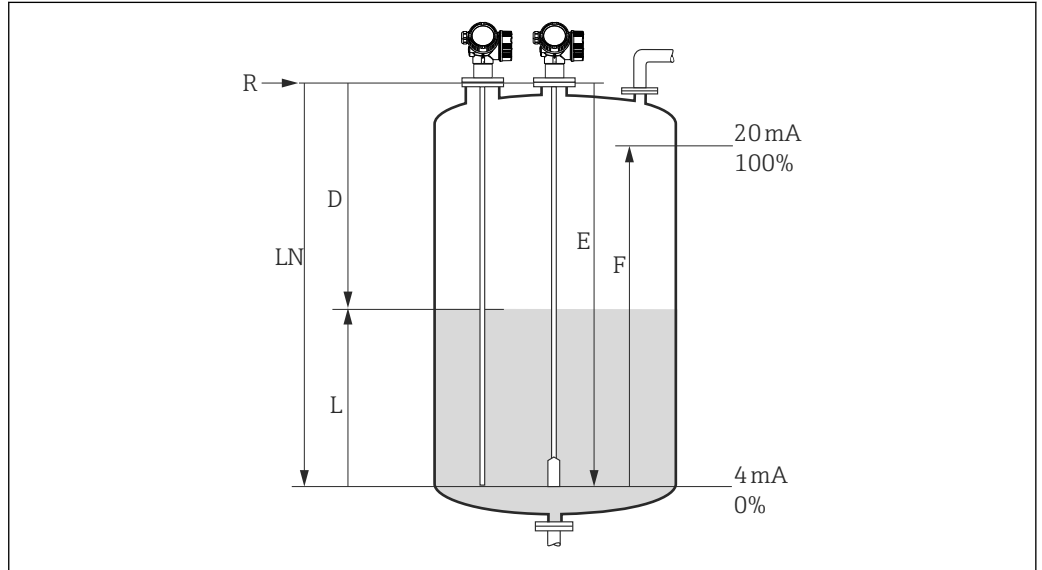
Specifies the minimum value of the temperature resistance of the connection cables

Function and system design

Measuring principle

General principles

The Levelflex is a "downward-looking" measuring system that functions according to the time-of-flight method (ToF). The distance from the reference point to the product surface is measured. High-frequency pulses are injected to a probe and led along the probe. The pulses are reflected by the product surface, received by the electronic evaluation unit and converted into level information. This method is also known as TDR (time domain reflectometry).



1 Parameters for level measurement with guided wave radar

- LN Probe length
- D Distance
- L Level
- R Reference point of measurement
- E Empty calibration (= zero)
- F Full calibration (= span)

- i** If the ϵ_r value is less than 7 in the case of rope probes, measurement is not possible in the area of the tensioning weight (0 to 250 mm (0 to 9.84 in) from the probe end), (lower blocking distance).
- i** The reference point R of the measurement is located at the process connection.

Dielectric constant

The dielectric constant (DC) of the medium directly affects the degree of reflection of the high-frequency pulses. In the case of large DC values, such as with water or ammonia, there is strong pulse reflection while, in the case of low DC values, such as with hydrocarbons, pulse reflection is weak.

Input

The reflected pulses are transmitted from the probe to the electronics. Here, a microprocessor evaluates the signals and identifies the level echo which was caused by the reflection of the high-frequency pulses at the product surface. This clear signal detection system benefits from over 30 years of experience with pulse time-of-flight procedures that have gone into the development of the PulseMaster® software.

The distance D to the product surface is proportional to the time of flight t of the impulse:

$$D = c \cdot t/2,$$

with c being the speed of light.

Based on the known empty distance E , the level L is calculated:

$$L = E - D$$

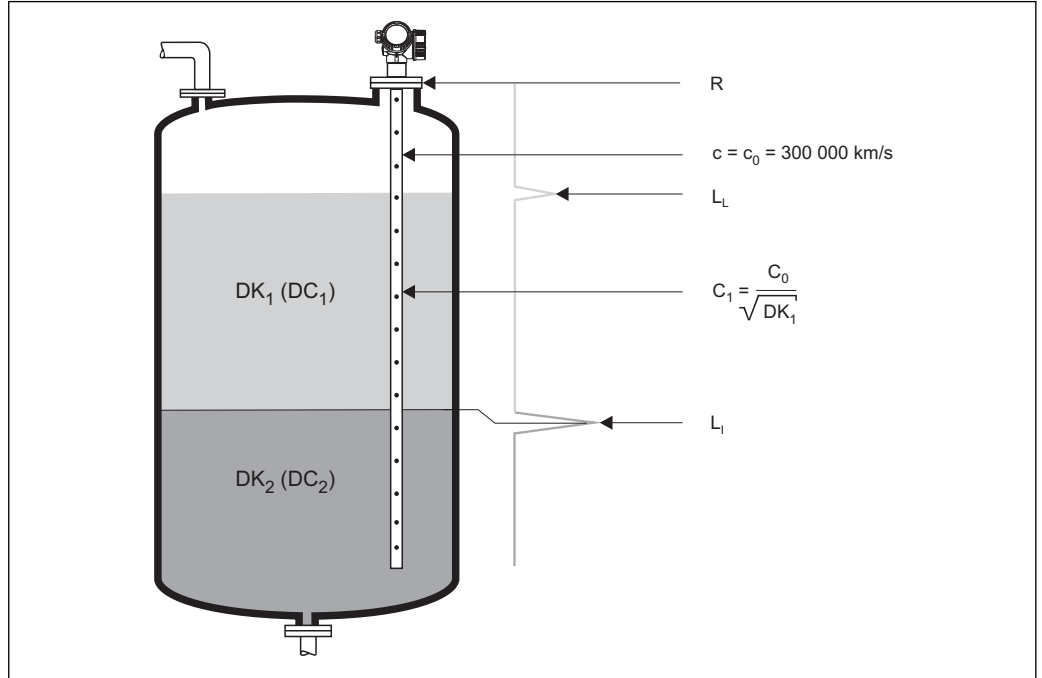
The Levelflex has functions for interference echo suppression that can be activated by the user. They guarantee that interference echoes from internal fixtures and struts, for example, are not interpreted as level echoes.

Output

The Levelflex is preadjusted at the factory to the probe length ordered so that in most cases only the application parameters that automatically adapt the device to the measuring conditions need to be entered. For models with a current output, the factory adjustment for zero point E and span F is 4 mA and 20 mA, for digital outputs and the display module 0 % and 100 %. A linearization function with max. 32 points, based on a table entered either manually or semi-automatically, can be activated locally or remotely. This function allows the level to be converted into units of volume or mass, for example.

Interface measurement

When the high-frequency pulses hit the surface of the medium, only a percentage of the transmission pulse is reflected. In the case of media with a low DC_1 , in particular, the other part penetrates the medium. The pulse is reflected once more at the interface point to a second medium with a higher DC_2 . The distance to the interface layer now can also be determined taking into account the delayed time-of-flight of the pulse through the upper medium.



2 Interface measurement with the guided radar

- LL Level complete
- LI Level interface
- R Reference point of measurement

In addition, the following general conditions must be observed for interface measurement:

- The DC of the upper medium must be known and constant ¹⁾. The DC can be determined with the aid of the DC manual CP00019F or the "DC Values App". In addition, if the interface thickness is existing and known, the DC can be calculated automatically via FieldCare.
- The DC of the upper medium may not be greater than 10.
- The DC difference between the upper medium and lower medium must be >10.
- The upper medium must have a minimum thickness of 60 mm (2.4 in).
- Emulsion layers in the area of the interface can strongly attenuate the signal. However, emulsion layers up to 50 mm (2 in) are admissible.

- i** For dielectric constants (DC values) of many media commonly used in various industries refer to:
 - the Endress+Hauser DC manual (CP01076F)
 - the Endress+Hauser "DC Values App" (available for Android and iOS)

1) For FMP55: Under certain conditions measurement is possible even with a changing DC. For details please contact your Endress+Hauser representative.

Life cycle of the product**Design**

- Universal measuring principle
- Measurement is unaffected by product properties
- Hardware and software developed according to SIL IEC 61508
- Genuine, direct interface measurement

Procurement

- As the global market leader in level measurement, Endress+Hauser guarantees the security of your investment
- Worldwide support and service

Installation

- No special tools are required
- Protection against reverse polarity
- Modern, detachable terminals
- Main electronics protected by a separate connection compartment

Commissioning

- Fast, menu-guided commissioning in just 6 steps
- Plain text display in local language reduces the risk of error or confusion
- Direct local access to all parameters
- Printed Brief Operating Instructions in the device onsite

Operation

- Multi-echo tracking: Reliable measurement thanks to self-learning echo search algorithms taking into account the short-term and long-term history and plausibility of the detected signals to suppress interference echoes.
- In accordance with NAMUR NE107

Maintenance

- HistoROM: Data backup for device settings and measured values
- Exact device and process diagnostics to assist fast decisions with clear information regarding remedial action
- Intuitive, menu-guided operating concept in local language saves costs for training, maintenance and operation
- Cover of the electronics compartment can also be opened in the hazardous area

Retirement

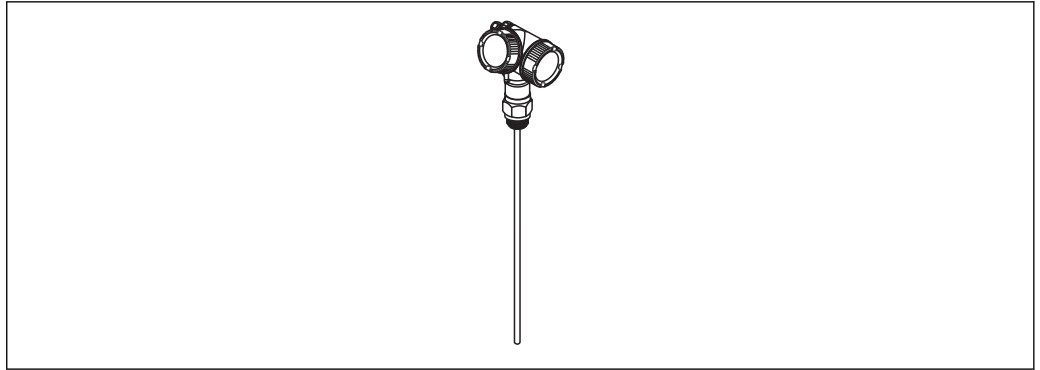
- Order code translation for subsequent models
- RoHS-compliant (Restriction of certain Hazardous Substances), unleaded soldering of electronic components
- Environmentally friendly recycling approach

Measuring system**General notes on probe selection**

- Rod probes or coax probes should normally be used for liquids. Rope probes are used in liquids for measuring ranges > 10 m (33 ft) (for FMP52: > 4 m (13 ft)) or if the distance from the ceiling does not permit the installation of rigid probes.
- For interface measurement, ideally coax probes or rod probes are used in the bypass/stilling well.
- Coax probes are suitable for liquids with a viscosity of up to approx. 500 cst. The vast majority of liquefied gases can be measured with coax probes, from a dielectric constant of 1.4. Furthermore, installation conditions, such as nozzles, internal fixtures in the tank etc., have no effect on the measurement when a coax probe is used. A coax probe offers maximum EMC safety when used in plastic tanks.

Probe selection*FMP51*

For level measurement and interface measurement in liquids



A0011387

3 Rod probe

Rod probe

- Maximum probe length
 - 4 m (13 ft); inseparable rod probes
 - 10 m (33 ft); separable rod probes
- Material:
 - 316L; inseparable and separable rod probes
 - Alloy C; only inseparable rod probes

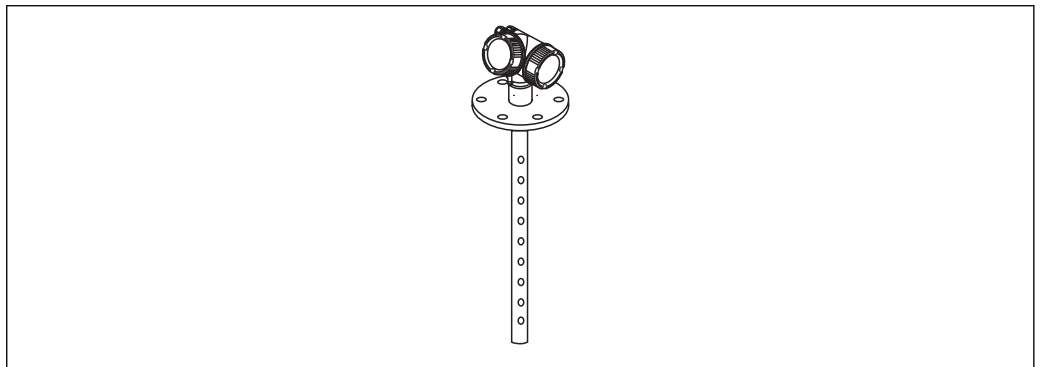


A0011388

4 Rope probe with centering rod

Rope probe

- Maximum probe length
 - 45 m (148 ft)
- Material:
 - 316L
 - Alloy C



A0011359

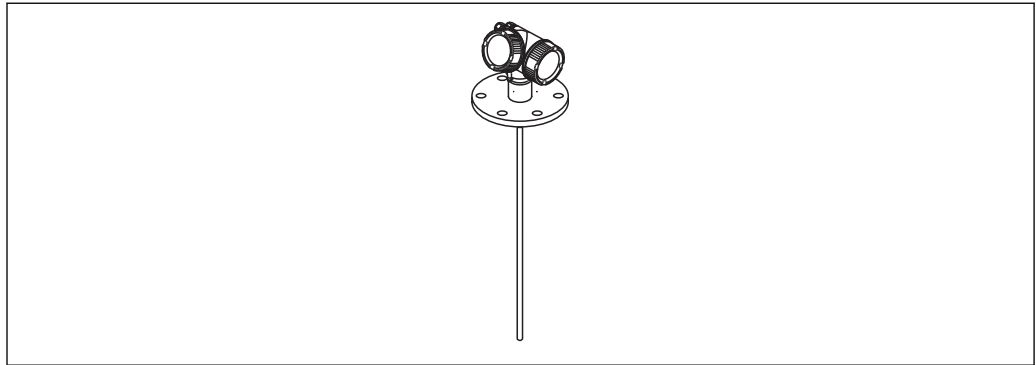
5 Coax probe

Coax probe

- Maximum probe length
6 m (20 ft)
- Material:
 - 316L, multiple holes
 - Alloy C, one hole

FMP52

For level measurement and interface measurement in corrosive liquids

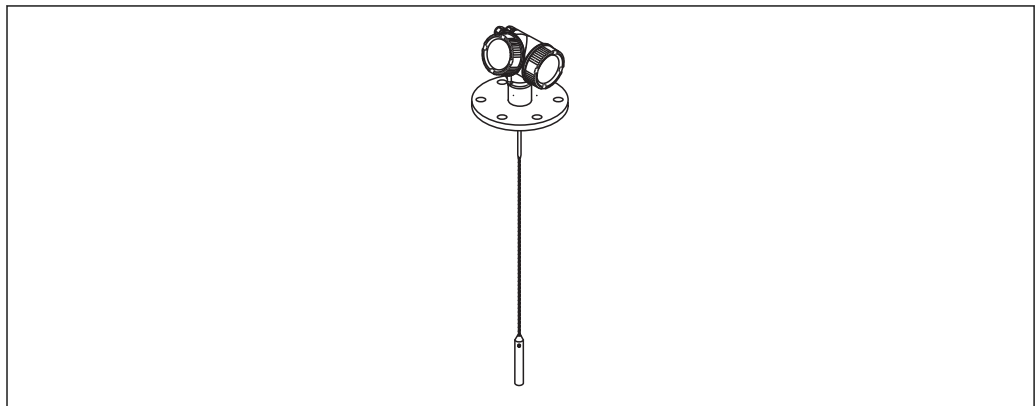


A0011357

6 Rod probe

Rod probe

- Maximum probe length
4 m (13 ft)
- Material:
PFA>316L



A0011358

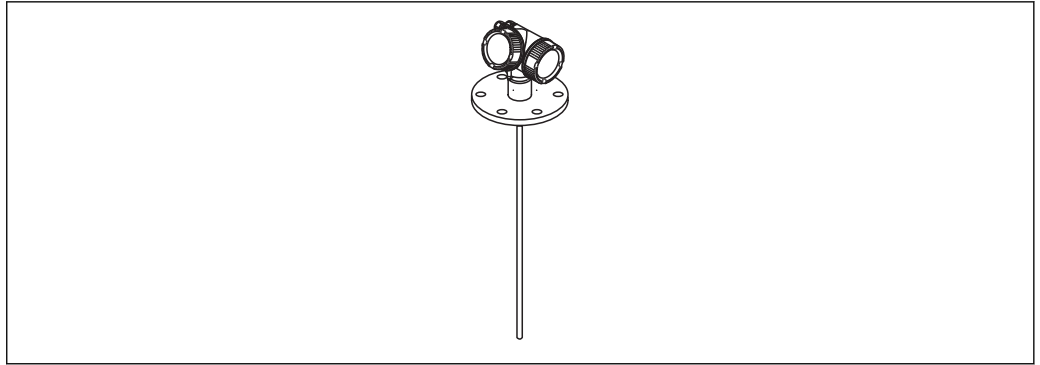
7 Rope probe with centering rod

Rope probe

- Maximum probe length
45 m (148 ft)
- Material:
PFA>316L

FMP54

For level measurement and interface measurement in liquids

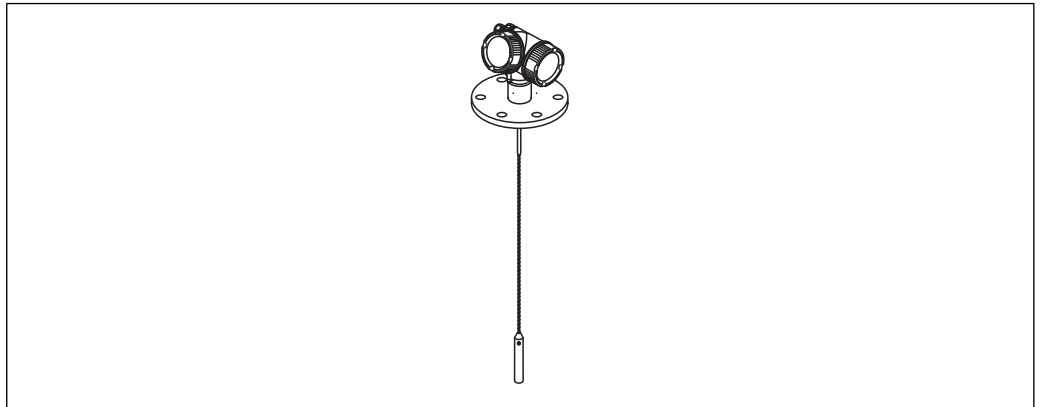


A0011357

8 Rod probe

Rod probe

- Maximum probe length
4 m (13 ft)
- Material:
316L

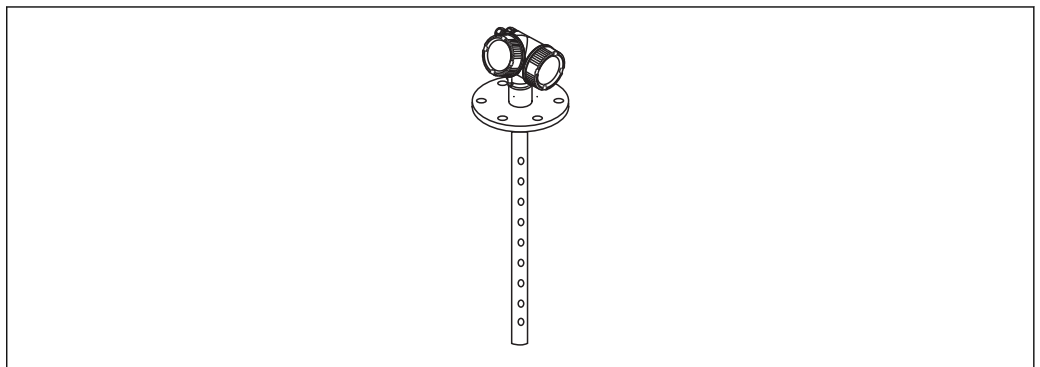


A0011358

9 Rope probe with centering rod

Rope probe

- Maximum probe length
45 m (148 ft)
- Material:
316L



A0011359

10 Coax probe

Coax probe

- Maximum probe length
6 m (20 ft)
- Material:
316L, multiple holes

Input

Measured variable The measured variable is the distance between the reference point and the product surface.
The level is calculated based on "E", the empty distance entered.
Optionally, the level can be converted to other variables (volume, mass) by linearization (32 points).

Measuring range The following table describes the media groups and the possible measuring range as a function of the media group.

Levelflex FMP51, FMP54					
Media group	ϵ_r	Typical liquids	Measuring range ¹⁾		
			Bare metallic rod probes	Bare metallic rope probes	Coax probes
1	1.4 to 1.6	Liquefied gases, e.g. N ₂ , CO ₂	On request		
2	1.6 to 1.9	<ul style="list-style-type: none"> ▪ Liquefied gas, e.g. propane ▪ Solvents ▪ Freon ▪ Palm oil 	<ul style="list-style-type: none"> ▪ One-piece: 4 m (13 ft) ▪ Separable: 10 m (33 ft) 	15 to 22 m (49 to 72 ft)	6 m (20 ft)
3	1.9 to 2.5	Mineral oils, fuels	<ul style="list-style-type: none"> ▪ One-piece: 4 m (13 ft) ▪ Separable: 10 m (33 ft) 	22 to 32 m (72 to 105 ft)	6 m (20 ft)
4	2.5 to 4	<ul style="list-style-type: none"> ▪ Benzene, styrene, toluene ▪ Furan ▪ Naphthalene 	<ul style="list-style-type: none"> ▪ One-piece: 4 m (13 ft) ▪ Separable: 10 m (33 ft) 	32 to 42 m (105 to 138 ft)	6 m (20 ft)
5	4 to 7	<ul style="list-style-type: none"> ▪ Chlorobenzene, chloroform ▪ Nitrocellulose lacquers ▪ Isocyanate, aniline 	<ul style="list-style-type: none"> ▪ One-piece: 4 m (13 ft) ▪ Separable: 10 m (33 ft) 	42 to 45 m (138 to 148 ft)	6 m (20 ft)
6	> 7	<ul style="list-style-type: none"> ▪ Aqueous solutions ▪ Alcohols ▪ Ammonia 	<ul style="list-style-type: none"> ▪ One-piece: 4 m (13 ft) ▪ Separable: 10 m (33 ft) 	45 m (148 ft)	6 m (20 ft)

1) The measuring range for interface measurements is limited to 10 m (33 ft).

Levelflex FMP52				
Media group	ϵ_r	Typical liquids	Measuring range ¹⁾	
			PFA-coated rod probes	PFA-coated rope probes
1	1.4 to 1.6	Liquefied gases, e.g. N ₂ , CO ₂	–	–
2	1.6 to 1.9	<ul style="list-style-type: none"> ▪ Liquefied gas, e.g. propane ▪ Solvents ▪ Freon ▪ Palm oil 	4 m (13 ft)	9 to 14 m (30 to 46 ft)
3	1.9 to 2.5	Mineral oils, fuels	4 m (13 ft)	14 to 21 m (46 to 69 ft)
4	2.5 to 4	<ul style="list-style-type: none"> ▪ Benzene, styrene, toluene ▪ Furan ▪ Naphthalene 	4 m (13 ft)	21 to 28 m (69 to 92 ft)
5	4 to 7	<ul style="list-style-type: none"> ▪ Chlorobenzene, chloroform ▪ Nitrocellulose lacquers ▪ Isocyanate, aniline 	4 m (13 ft)	28 to 32 m (92 to 105 ft)
6	> 7	<ul style="list-style-type: none"> ▪ Aqueous solutions ▪ Alcohols ▪ Acids, alkalis 	4 m (13 ft)	32 to 45 m (105 to 148 ft)

1) The measuring range for interface measurement is limited to 10 m.

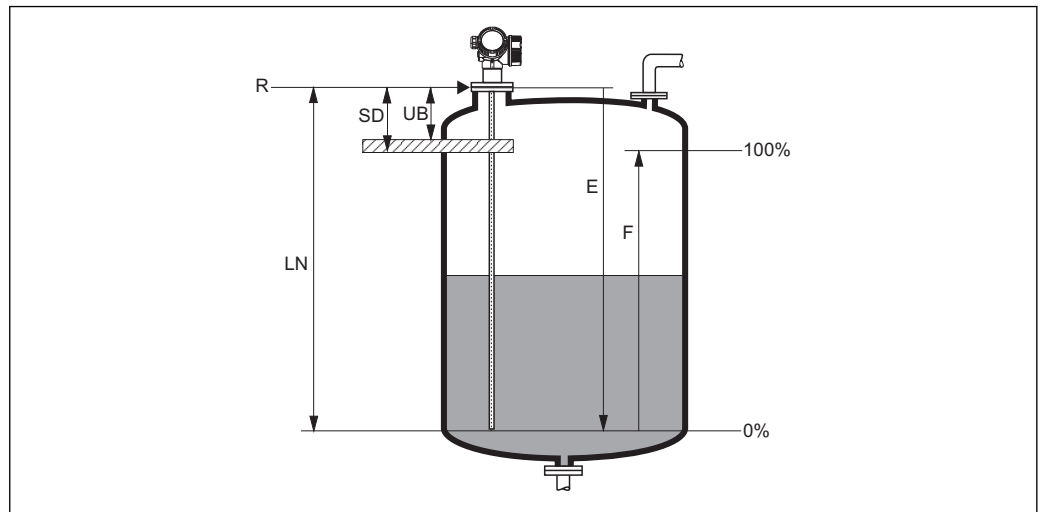


- The formation of buildup, particularly of moist products, can reduce the maximum possible measuring range.
- Due to the high rate of diffusion of ammonia, a gas-tight bushing ²⁾ is recommended for measurements in this medium.

2) Always included in FMP54, optionally available for FMP51/52

Blocking distance

The upper blocking distance (= UB) is the minimum distance from the reference point of the measurement (mounting flange) to the maximum level.



A0011279

11 Definition of blocking distance and safety distance

- R Reference point of measurement
- LN Probe length
- UB Upper blocking distance
- E Empty calibration (= zero)
- F Full calibration (= span)
- SD Safety distance

Blocking distance (factory setting):

- For coax probes: 0 mm (0 in)
- For rod and rope probes up to 8 m (26 ft): 200 mm (8 in)
- For rod and rope probes over 8 m (26 ft): $0.025 \times \text{probe length}$

i The specified blocking distances are factory-preset on delivery. These settings can be changed depending on the application.

For rod and rope probes, the blocking distance can generally be reduced to 100 mm (4 in) for media with $DC > 7$.

No blocking distance applies for applications in a bypass/stilling well.

A reliable measurement cannot be guaranteed within the blocking distance.

i A safety distance SD can be defined in addition to the blocking distance. The device generates a warning if the level rises to enter this safety distance.

Measuring frequency spectrum

100 MHz to 1.5 GHz

Output

Output signal

HART

- Signal coding:
FSK ± 0.5 mA over current signal
- Data transmission rate:
1 200 Bit/s
- Galvanic isolation:
Yes

Bluetooth® wireless technology

- Device version:
Order code 610 "Accessory mounted", option NF "Bluetooth"
- Operation / configuration:
Via the *SmartBlue* app
- Range under reference conditions:
> 10 m (33 ft)
- Encryption:
Encrypted communication and password encryption prevent incorrect operation by unauthorized persons

PROFIBUS PA

- Signal coding:
Manchester Bus Powered (MBP)
- Data transmission rate:
31.25 kBit/s, Voltage mode
- Galvanic isolation:
Yes

FOUNDATION Fieldbus

- Signal coding:
Manchester Bus Powered (MBP)
- Data transmission rate:
31.25 kBit/s, Voltage mode
- Galvanic isolation:
Yes

Switch output



For HART devices, the switch output is available as an option.

- Function:
Open collector switch output
- Switching behavior:
Binary (conductive or non-conductive), switches when the programmable switch-on point/switch-off point is reached
- Failure mode:
Non-conductive
- Electrical connection data:
 $U = 16$ to 35 V_{DC}, $I = 0$ to 40 mA
- Internal resistor:
 $R_i < 880$ Ω
The voltage drop at this internal resistor must be taken into account when planning the configuration. For example, the resulting voltage at a connected relay must be sufficient to switch the relay.
- Insulation voltages:
Floating, insulation voltage $1\,350$ V_{DC} in relation to power supply and 500 V_{AC} ground
- Switch point:
User-programmable, separate for switch-on point and switch-off point
- Switching delay:
User-programmable in the 0 to 100 s range, separate for switch-on point and switch-off point
- Scan rate:
Corresponds to the measuring cycle

- Signal source / device variables:
 - Level linearized
 - Distance
 - Terminal voltage
 - Electronic temperature
 - Relative echo amplitude
 - Diagnostic values, advanced diagnostic blocks
 - Only for active interface measurement
- Signal source / device variables for active interface measurement:
 - Interface linearized
 - Interface distance
 - Upper interface distance
 - Relative interface amplitude
- Number of switch cycles:
Unlimited

Signal on alarm

Depending on the interface, failure information is displayed as follows:

- Current output
 - Choice of failure mode (in accordance with NAMUR Recommendation NE 43):
 - Minimum alarm: 3.6 mA
 - Maximum alarm (= factory setting): 22 mA
 - Failure mode with user-configurable value: 3.59 to 22.5 mA
- Local display
 - Status signal (as per NAMUR Recommendation NE 107)
 - Plain text display
- Operating tool via digital communication (HART, PROFIBUS PA, FOUNDATION Fieldbus) or service interface (CDI)
 - Status signal (as per NAMUR Recommendation NE 107)
 - Plain text display

Linearization

The device's linearization function allows the user to convert the measured value to any length or volume units. Linearization tables for calculating the volume in cylindrical vessels are preprogrammed into the device. Other tables of up to 32 value pairs can be entered manually or semi-automatically.

Galvanic isolation

All circuits for the outputs are galvanically isolated from each other.

Protocol-specific data

HART

Manufacturer ID	17 (0x11)
Device type ID	0x1122
HART specification	7.0
Device description files (DTM, DD)	Information and files under: <ul style="list-style-type: none"> ▪ www.endress.com ▪ www.fieldcommgroup.org
HART load	min. 250 Ω
HART device variables	<p>The measured values can be freely assigned to the device variables.</p> <p>Measured values for PV (primary variable)</p> <ul style="list-style-type: none"> ▪ Level linearized ▪ Distance ▪ For active interface measurement: <ul style="list-style-type: none"> ▪ Interface ▪ Interface distance ▪ Upper interface thickness ▪ Relative interface amplitude ▪ Electronic temperature ▪ Relative echo amplitude <p>Measured values for SV, TV, QV (second, third and fourth variable)</p> <ul style="list-style-type: none"> ▪ Level linearized ▪ Distance ▪ For active interface measurement: <ul style="list-style-type: none"> ▪ Interface linearized ▪ Interface distance ▪ Upper interface thickness ▪ Absolute interface amplitude ▪ Relative interface amplitude ▪ Terminal voltage ▪ Electronic temperature ▪ Absolute echo amplitude ▪ Relative echo amplitude ▪ Calculated ϵ_r value
Supported functions	<ul style="list-style-type: none"> ▪ Burst mode ▪ Additional transmitter status

Wireless HART data

Minimum starting voltage	17.5 V
Start-up current	4 mA
Starting time	80 s
Minimum operating voltage	17.5 V
Multidrop current	4.0 mA
Time for connection setup	30 s

PROFIBUS PA

Manufacturer ID	17 (0x11)
Ident number	0x1558
Profile version	3.02
GSD file	Information and files under:
GSD file version	<ul style="list-style-type: none"> ▪ www.endress.com ▪ www.profibus.org
Output values	<p>Analog Input:</p> <ul style="list-style-type: none"> ▪ Level linearized ▪ Distance ▪ For active interface measurement: <ul style="list-style-type: none"> ▪ Interface ▪ Interface distance ▪ Upper interface thickness ▪ Absolute interface amplitude ▪ Absolute interface amplitude ▪ Terminal voltage ▪ Electronic temperature ▪ Absolute echo amplitude ▪ Relative echo amplitude ▪ Calculated ϵ_r value <p>Digital Input:</p> <ul style="list-style-type: none"> ▪ Extended diagnostic blocks ▪ Status output PFS Block
Input values	<p>Analog Output:</p> <ul style="list-style-type: none"> ▪ Analog value from PLC (for sensor block, external pressure and temperature) ▪ Analog value from PLC to be indicated on the display <p>Digital Output:</p> <ul style="list-style-type: none"> ▪ Extended diagnostic block ▪ Level Limiter ▪ Sensor Block Measurement On ▪ Sensor Block Save History On ▪ Status output
Supported functions	<ul style="list-style-type: none"> ▪ Identification & Maintenance Simple device identification via control system and nameplate ▪ Automatic Ident Number Adoption GSD compatibility mode with predecessor Levelflex M FMP4x ▪ Physical Layer Diagnostics Installation check of the PROFIBUS segment and the Levelflex M FMP4x using terminal voltage and message monitoring ▪ PROFIBUS upload/download Reading and writing parameters is up to ten times faster with PROFIBUS upload/download ▪ Condensed status Simplest and self-explanatory diagnostic information by categorizing diagnostic messages that occur

FOUNDATION Fieldbus

Manufacturer ID	0x452B48
Device type	0x1028
Device revision	0x01
DD revision	Information and files under:
CFF revision	<ul style="list-style-type: none"> ▪ www.endress.com ▪ www.fieldcommgroup.org
Device Tester Version (ITK version)	6.0.1
ITK Test Campaign Number	IT085300
Link Master capability (LAS)	Yes

Choice of "Link Master" and "Basic Device"	Yes; Factory setting: Basic Device
Node address	Factory setting: 247 (0xF7)
Supported functions	The following methods are supported: <ul style="list-style-type: none"> ■ Restart ■ ENP Restart ■ Setup ■ Linearization ■ Self Check
Virtual Communication Relationships (VCRs)	
Number of VCRs	44
Number of link objects in VFD	50
Permanent entries	1
Client VCRs	0
Server VCRs	10
Source VCRs	43
Sink VCRs	0
Subscriber VCRs	43
Publisher VCRs	43
Device Link Capabilities	
Slot time	4
Min. delay between PDU	8
Max. response delay	20

Transducer Blocks

Block	Contents	Output values
Setup Transducer Block	Contains all the parameters for standard commissioning	<ul style="list-style-type: none"> ■ Level or volume (channel 1) (depending on the block configuration) ■ Distance (channel 2)
Advanced Setup Transducer Block	Contains all the parameters for more accurate measurement configuration	No output values
Display Transducer Block	Contains parameters to configure the onsite display	No output values
Diagnostic Transducer Block	Contains diagnostic information	No output values
Advanced Diagnostic Transducer Block	Contains parameters for advanced diagnostics	No output values
Expert Configuration Transducer Block	Contains parameters that require the user to have in-depth knowledge of the operation of the device in order to configure the parameters appropriately	No output values
Expert Information Transducer Block	Contains parameters that provide information about the state of the device	No output values
Service Sensor Transducer Block	Contains parameters that can only be accessed by Endress+Hauser Service	No output values
Service Information Transducer Block	Contains parameters that provide Endress+Hauser Service with information about the state of the device	No output values
Data Transfer Transducer Block	Contains parameters for backing up the device configuration in the display module and for writing the saved configuration to the device. Access to these parameters is reserved for Endress+Hauser Service.	No output values

Function blocks

Block	Contents	Number of permanent blocks	Number of instantiatable blocks	Execution time	Functionality
Resource Block	The Resource Block contains all the data that uniquely identify the device. It is an electronic version of a nameplate of the device.	1	0	-	Enhanced
Analog Input Block	The AI Block receives the measuring data from the Sensor Block (selectable via a channel number), and makes the data available to other blocks at its output.	2	3	25 ms	Enhanced
Discrete Input Block	The Discrete Input Block receives a discrete value (e.g. indicator that measuring range has been exceeded) and makes the value available for other blocks at the output.	1	2	20 ms	Standard
Multiple Analog Output Block	The Multiple Analog Output Block is used to transmit analog values from the bus to the device.	1	0	20 ms	Standard
Multiple Discrete Output Block	The Multiple Discrete Output Block is used to transmit discrete values from the bus to the device.	1	0	20 ms	Standard
PID Block	The PID Block is used as a proportional-integral-derivative controller and can be used universally for closed-loop-control in the field. It enables cascade mode and feedforward control.	1	1	25 ms	Standard
Arithmetic Block	The Arithmetic Block is designed to permit simple use of popular measurement math functions. The user does not have to know how to write equations. The math algorithm is selected by name, chosen by the user for the function to be performed.	1	1	25 ms	Standard
Signal Characterizer Block	The Signal Characterizer Block has two sections, each with an output value that is a non-linear function of the input value. The non-linear function is generated by a single look-up table with 21 arbitrary x-y pairs.	1	1	25 ms	Standard
Input Selector Block	The Input Selector Block facilitates the selection of up to four inputs and generates an output value based on the configured action. This block normally receives its inputs from AI Blocks. The block enables the selection of maximum, minimum, average and 'first good' values.	1	1	25 ms	Standard

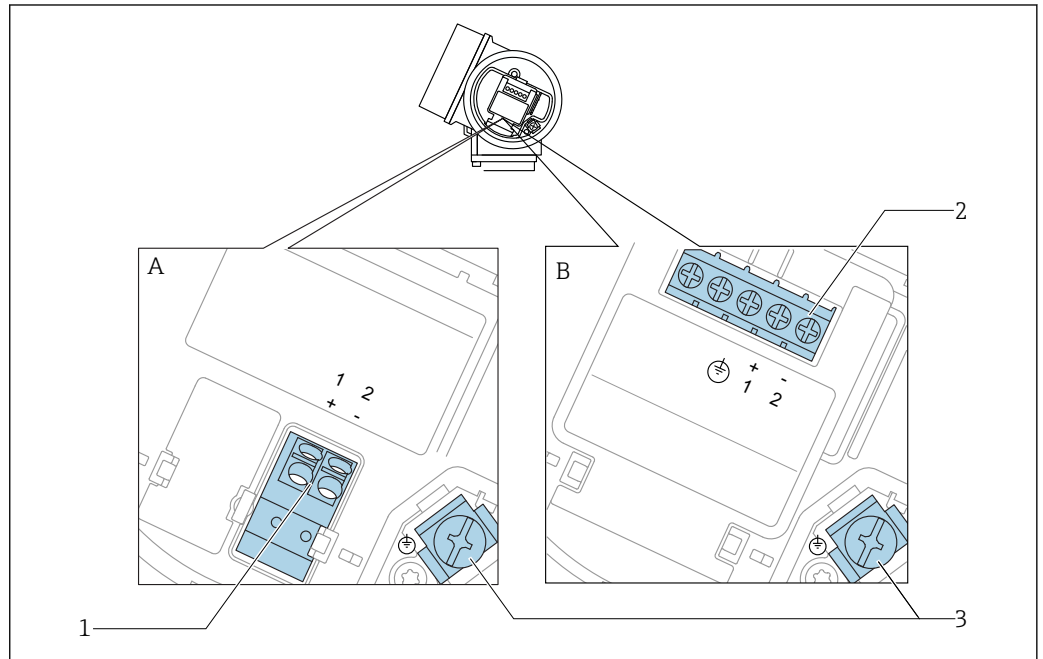
Block	Contents	Number of permanent blocks	Number of instantiatable blocks	Execution time	Functionality
Integrator Block	The Integrator Block integrates a variable as a function of the time or accumulates the counts from a Pulse Input Block. The Block can be used as a totalizer that totalizes until a reset, or as a batch totalizer whereby the integrated value is compared against a target value generated before or during the control routine and generates a binary signal when the target value is reached.	1	1	25 ms	Standard
Analog Alarm Block		1	1	25 ms	Standard

 Up to 20 blocks can be instantiated in the device altogether, including the blocks already instantiated.

Power supply

Terminal assignment

Terminal assignment 2-wire: 4-20 mA HART



12 Terminal assignment 2-wire: 4-20 mA HART

A Without integrated overvoltage protection

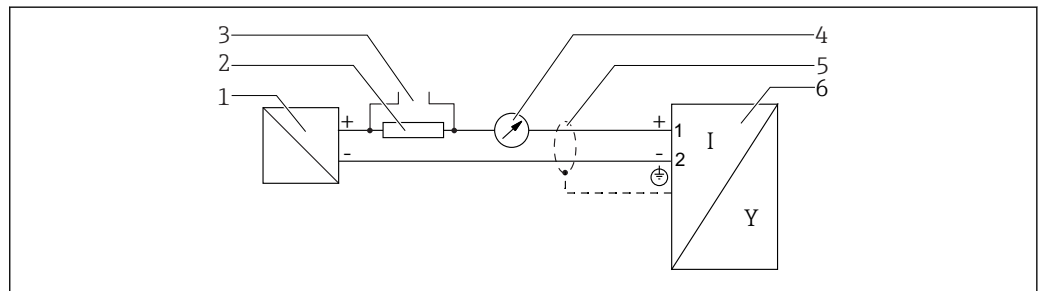
B With integrated overvoltage protection

1 Connection 4-20 mA HART passive: terminals 1 and 2, without integrated overvoltage protection

2 Connection 4-20 mA HART passive: terminals 1 and 2, with integrated overvoltage protection

3 Terminal for cable screen

Block diagram 2-wire: 4-20 mA HART



13 Block diagram 2-wire: 4-20 mA HART

1 Active barrier with power supply (e.g. RN221N); observe terminal voltage

2 HART communication resistor ($\geq 250 \Omega$); observe maximum load

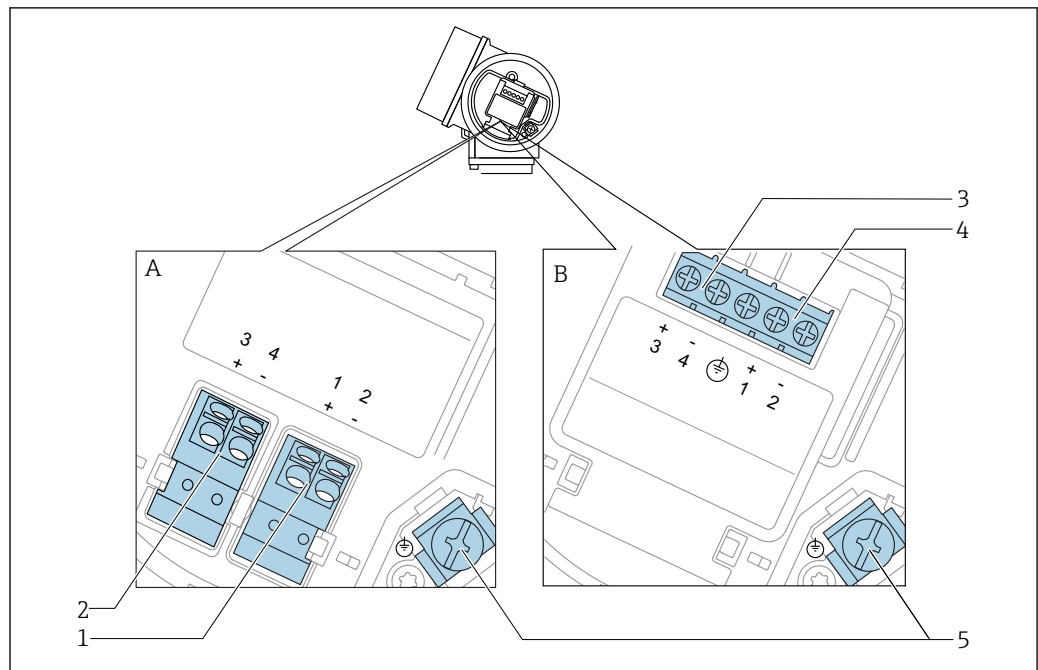
3 Connection for Commubox FXA195 or FieldXpert SFX350/SFX370 (via VIATOR Bluetooth modem)

4 Analog display device; observe maximum load

5 Cable screen; observe cable specification

6 Measuring device

Terminal assignment 2-wire: 4-20 mA HART, switch output

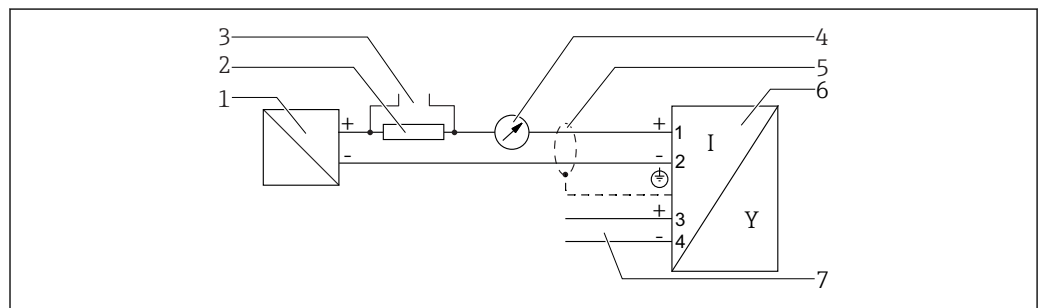


A0036500

14 Terminal assignment 2-wire: 4-20 mA HART, switch output

- A Without integrated overvoltage protection
- B With integrated overvoltage protection
- 1 Connection 4-20 mA HART passive: terminals 1 and 2, without integrated overvoltage protection
- 2 Connection switch output (Open Collector): terminals 3 and 4, without integrated overvoltage protection
- 3 Connection switch output (Open Collector): terminals 3 and 4, with integrated overvoltage protection
- 4 Connection 4-20 mA HART passive: terminals 1 and 2, with integrated overvoltage protection
- 5 Terminal for cable screen

Block diagram 2-wire: 4-20 mA HART, switch output

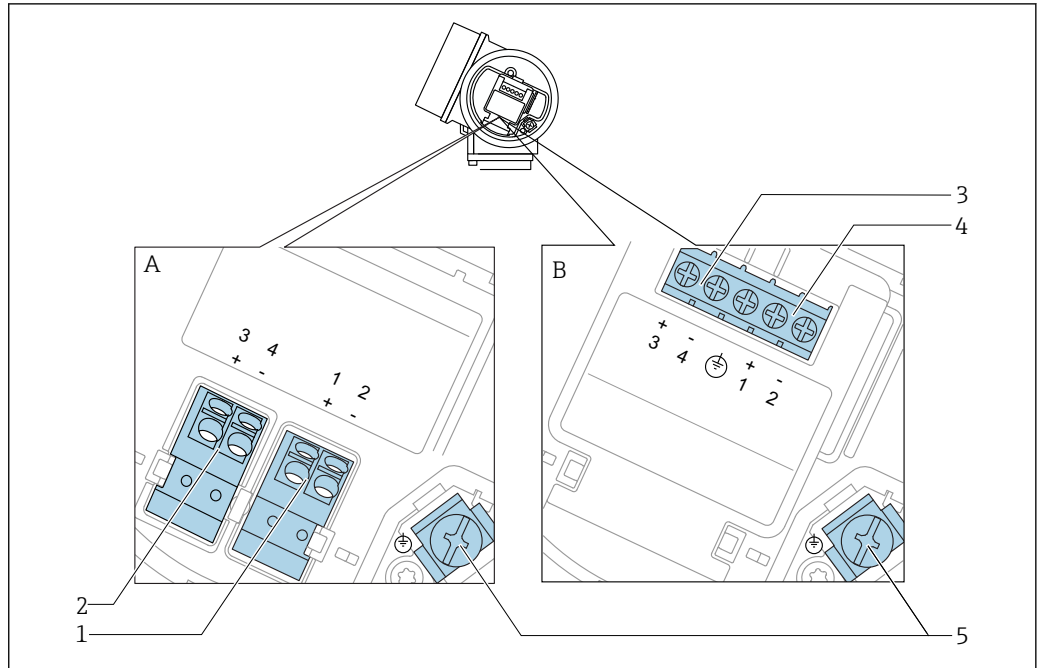


A0036501

15 Block diagram 2-wire: 4-20 mA HART, switch output

- 1 Active barrier with power supply (e.g. RN221N); observe terminal voltage
- 2 HART communication resistor ($\geq 250 \Omega$); observe maximum load
- 3 Connection for Commubox FXA195 or FieldXpert SFX350/SFX370 (via VIATOR Bluetooth modem)
- 4 Analog display device; observe maximum load
- 5 Cable screen; observe cable specification
- 6 Measuring device
- 7 Switch output (Open Collector)

Terminal assignment 2-wire: 4-20 mA HART, 4-20 mA



A0036500

16 Terminal assignment 2-wire: 4-20 mA HART, 4-20 mA

A Without integrated overvoltage protection

B With integrated overvoltage protection

1 Connection current output 1, 4-20 mA HART passive: terminals 1 and 2, without integrated overvoltage protection

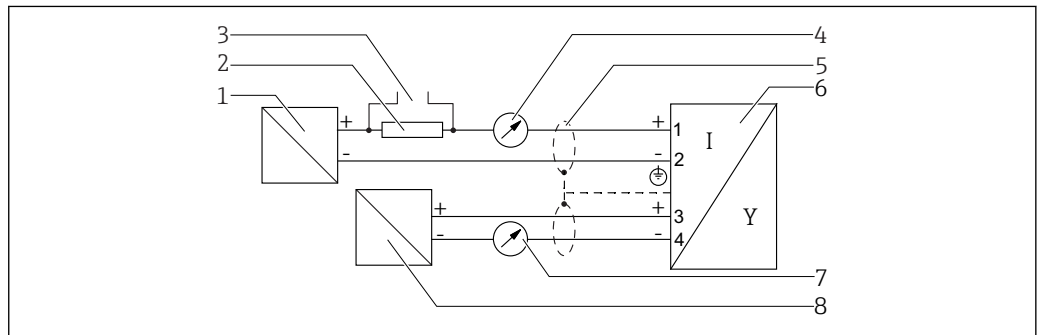
2 Connection current output 2, 4-20 mA: terminals 3 and 4, without integrated overvoltage protection

3 Connection current output 2, 4-20 mA: terminals 3 and 4, with integrated overvoltage protection

4 Connection current output 1, 4-20 mA HART passive: terminals 1 and 2, with integrated overvoltage protection

5 Terminal for cable screen

Block diagram 2-wire: 4-20 mA HART, 4-20 mA



A0036502

17 Block diagram 2-wire: 4-20 mA HART, 4-20 mA

1 Active barrier with power supply (e.g. RN221N); observe terminal voltage

2 HART communication resistor ($\geq 250 \Omega$); observe maximum load

3 Connection for Commubox FXA195 or FieldXpert SFX350/SFX370 (via VIATOR Bluetooth modem)

4 Analog display device; observe maximum load

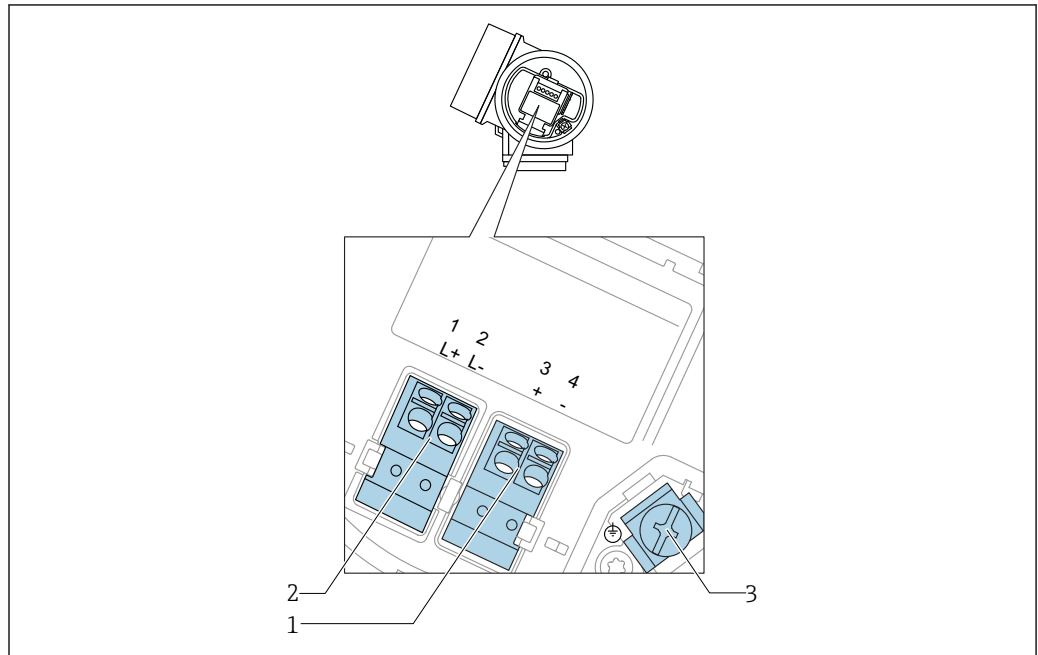
5 Cable screen; observe cable specification

6 Measuring device

7 Analog display device; observe maximum load

8 Active barrier with power supply (e.g. RN221N), current output 2; observe terminal voltage

Terminal assignment 4-wire: 4-20 mA HART (10.4 to 48 V_{DC})

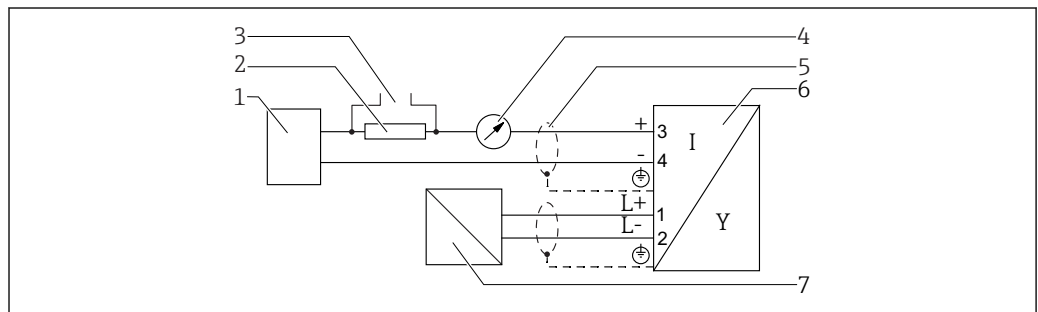


A0036516

18 Terminal assignment 4-wire: 4-20 mA HART (10.4 to 48 V_{DC})

- 1 Connection 4-20 mA HART (active): terminals 3 and 4
- 2 Connection supply voltage: terminals 1 and 2
- 3 Terminal for cable screen

Block diagram 4-wire: 4-20 mA HART (10.4 to 48 V_{DC})

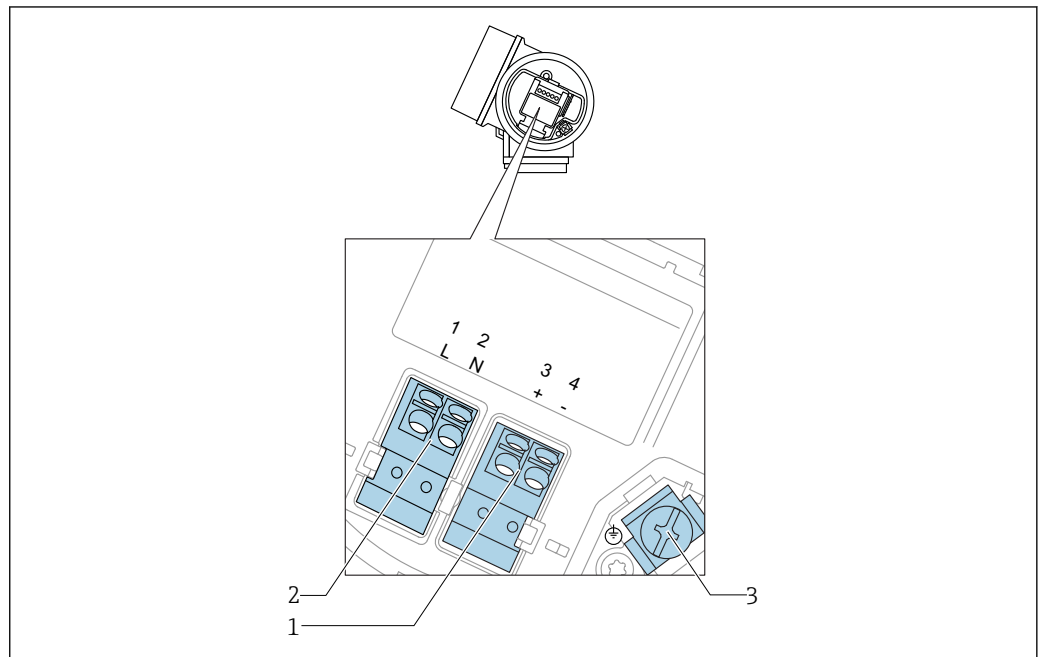


A0036526

19 Block diagram 4-wire: 4-20 mA HART (10.4 to 48 V_{DC})

- 1 Evaluation unit, e.g. PLC
- 2 HART communication resistor ($\geq 250 \Omega$); observe maximum load
- 3 Connection for Commubox FXA195 or FieldXpert SFX350/SFX370 (via VIATOR Bluetooth modem)
- 4 Analog display device; observe maximum load
- 5 Cable screen; observe cable specification
- 6 Measuring device
- 7 Supply voltage; observe terminal voltage, observe cable specification

Terminal assignment 4-wire: 4-20 mA HART (90 to 253 V_{AC})



A0036519

20 Terminal assignment 4-wire: 4-20 mA HART (90 to 253 V_{AC})

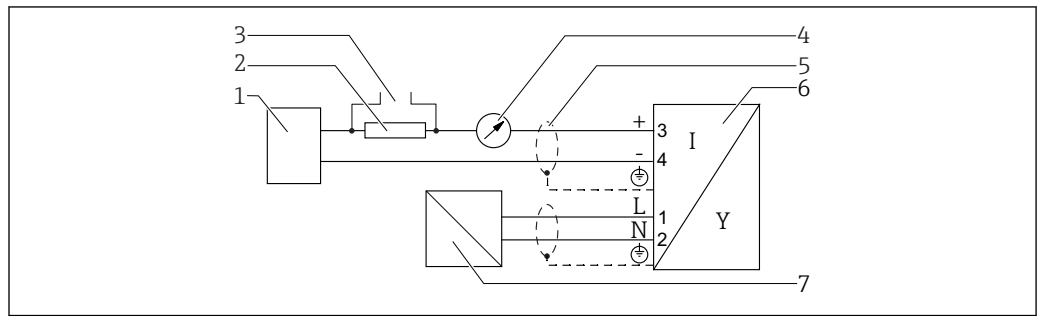
- 1 Connection 4-20 mA HART (active): terminals 3 and 4
- 2 Connection supply voltage: terminals 1 and 2
- 3 Terminal for cable screen

CAUTION

To ensure electrical safety:

- ▶ Do not disconnect the protective connection.
 - ▶ Disconnect the supply voltage before disconnecting the protective earth.
- i** Connect protective earth to the internal ground terminal (3) before connecting the supply voltage. If necessary, connect the potential matching line to the external ground terminal.
 - i** In order to ensure electromagnetic compatibility (EMC): Do **not** only ground the device via the protective earth conductor of the supply cable. Instead, the functional grounding must also be connected to the process connection (flange or threaded connection) or to the external ground terminal.
 - i** An easily accessible power switch must be installed in the proximity of the device. The power switch must be marked as a disconnecter for the device (IEC/EN61010).

Block diagram 4-wire: 4-20 mA HART (90 to 253 V_{AC})

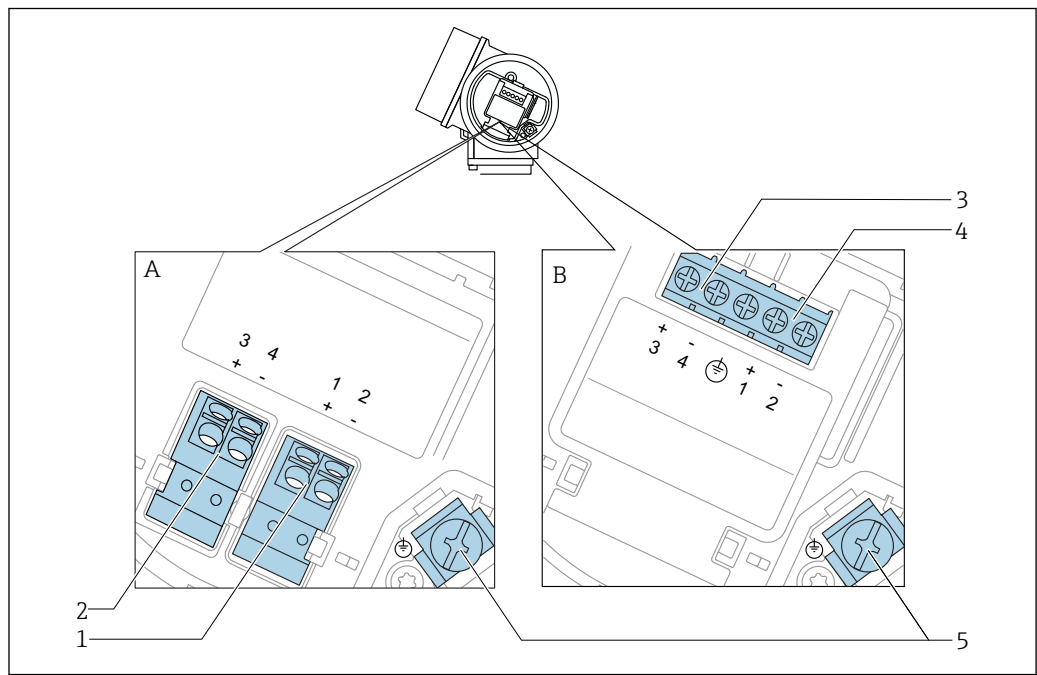


A0036527

21 Block diagram 4-wire: 4-20 mA HART (90 to 253 V_{AC})

- 1 Evaluation unit, e.g. PLC
- 2 HART communication resistor ($\geq 250 \Omega$); observe maximum load
- 3 Connection for Commubox FXA195 or FieldXpert SFX350/SFX370 (via VIATOR Bluetooth modem)
- 4 Analog display device; observe maximum load
- 5 Cable scree; observe cable specification
- 6 Measuring device
- 7 Supply voltage; observe terminal voltage, observe cable specification

Terminal assignment PROFIBUS PA / FOUNDATION Fieldbus

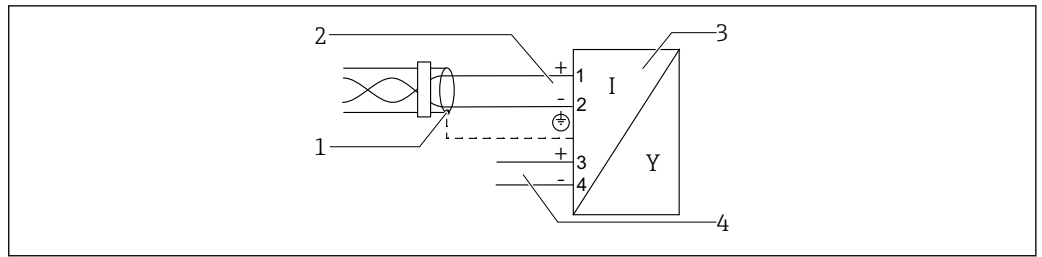


A0036500

22 Terminal assignment PROFIBUS PA / FOUNDATION Fieldbus

- A Without integrated overvoltage protection
- B With integrated overvoltage protection
- 1 Connection PROFIBUS PA / FOUNDATION Fieldbus: terminals 1 and 2, without integrated overvoltage protection
- 2 Connection switch output (Open Collector): terminals 3 and 4, without integrated overvoltage protection
- 3 Connection switch output (Open Collector): terminals 3 and 4, with integrated overvoltage protection
- 4 Connection PROFIBUS PA / FOUNDATION Fieldbus: terminals 1 and 2, with integrated overvoltage protection
- 5 Terminal for cable screen

Block diagram PROFIBUS PA / FOUNDATION Fieldbus



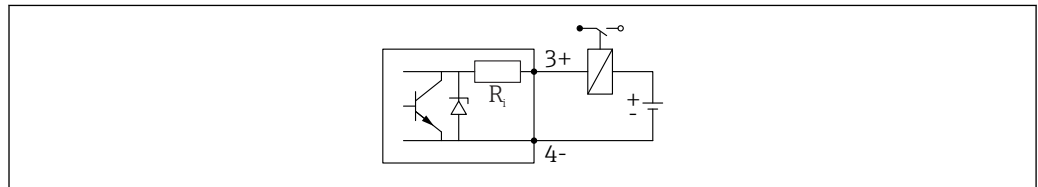
A0036530

23 Block diagram PROFIBUS PA / FOUNDATION Fieldbus

- 1 Cable screen; observe cable specifications
- 2 Connection PROFIBUS PA / FOUNDATION Fieldbus
- 3 Measuring device
- 4 Switch output (open collector)

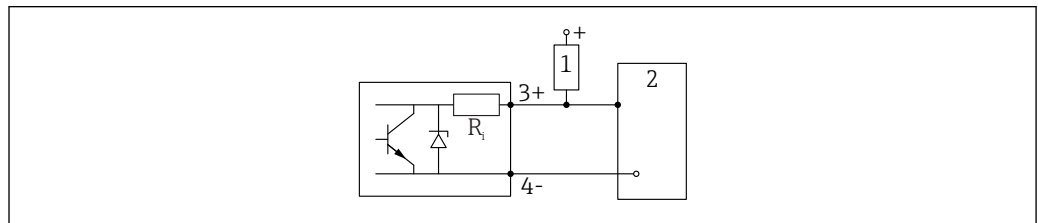
Connection examples for the switch output

 For HART devices, the switch output is available as an option.




A0015909


 24 Connection of a relay



A0015910

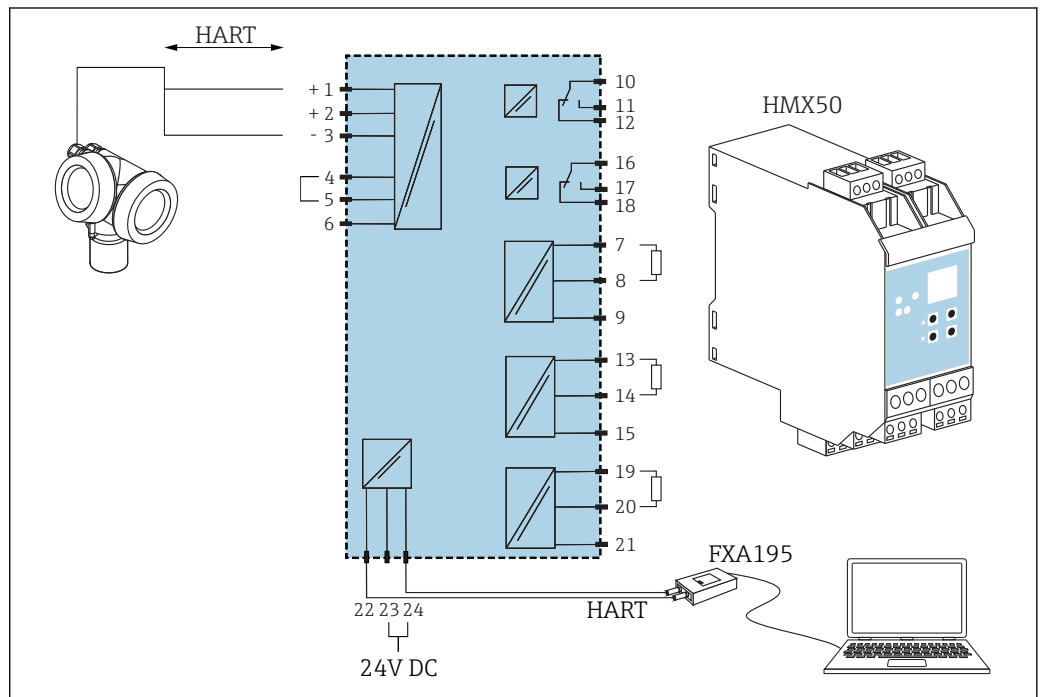
 25 Connection to a digital input

- 1 Pull-up resistor
- 2 Digital input

 For optimum interference immunity we recommend to connect an external resistor (internal resistance of the relay or pull-up resistor) of $< 1\ 000\ \Omega$.

HART loop converter HMX50

The dynamic variables of the HART protocol can be converted into individual 4 to 20 mA sections using the HART loop converter HMX50. The variables are assigned to the current output and the measuring ranges of the individual parameters are defined in the HMX50.




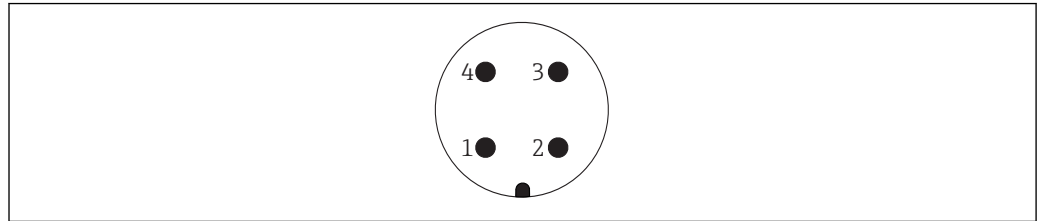
26 Connection diagram for HART loop converter HMX50 (example: passive 2-wire device and current outputs connected as power source)

The HART loop converter HMX50 can be acquired using the order number 71063562.


Additional documentation: TI00429F and BA00371F.

Device plugs

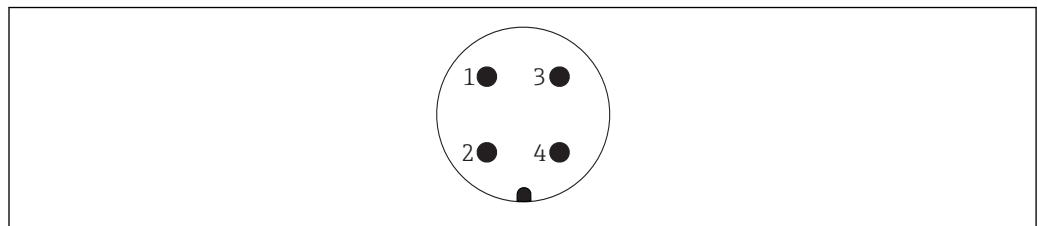
 In device versions with a device plug (M12 or 7/8"), it is not necessary to open the housing in order to connect the signal cable.




A0011175

 27 Pin assignment of M12 plug

- 1 Signal +
- 2 Not assigned
- 3 Signal -
- 4 Ground




A0011176

 28 Pin assignment of 7/8" plug

- 1 Signal -
- 2 Signal +
- 3 Not assigned
- 4 Shielding

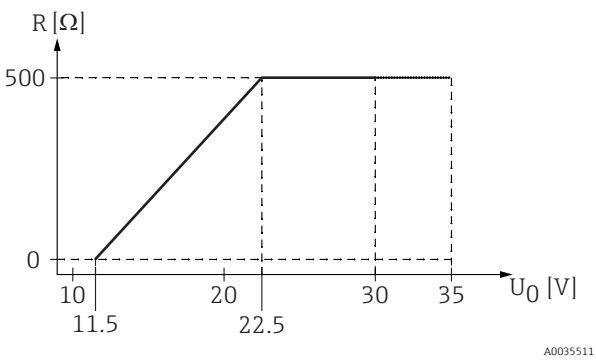
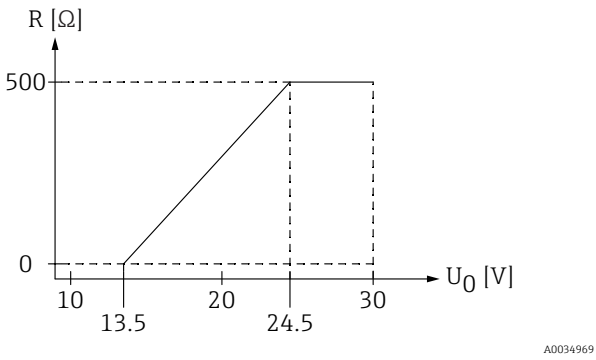
Power supply

An external power supply is required.

 Various supply units can be ordered from Endress+Hauser.

2-wire, 4-20mA HART, passive

2-wire; 4-20mA HART¹⁾

"Approval" ²⁾	Terminal voltage U at the device	Maximum load R, depending on the supply voltage U ₀ at the supply unit
<ul style="list-style-type: none"> ▪ Non-Ex ▪ Ex nA ▪ Ex ic ▪ CSA GP 	11.5 to 35 V ^{3) 4)}	 <p style="text-align: right; font-size: small;">A0035511</p>
Ex ia / IS	11.5 to 30 V ⁴⁾	
<ul style="list-style-type: none"> ▪ Ex d / XP ▪ Ex ic[ia] ▪ Ex tD / DIP 	13.5 to 30 V ^{4) 5)}	 <p style="text-align: right; font-size: small;">A0034969</p>

- 1) Feature 020 of the product structure: option A
- 2) Feature 010 of the product structure
- 3) For ambient temperatures $T_a \leq -30\text{ °C}$ (-22 °F) a minimum voltage of 14 V is required for the startup of the device at the minimum error current (3,6 mA). For ambient temperatures $T_a \geq 60\text{ °C}$ (140 °F) a minimum voltage of 12V is required for the sartup of the device at the minimum error current (3,6 mA). The startup current can be parametrized. If the device is operated with a fixed current $I \geq 4,5\text{ mA}$ (HART multidrop mode), a voltage of $U \geq 11,5\text{ V}$ is sufficient throughout the entire range of ambient temperatures.
- 4) If the Bluetooth modem is used, the minimum supply voltage increases by 2 V.
- 5) For ambient temperatures $T_a \leq -20\text{ °C}$ (-4 °F) a minimum voltage of 16 V is required for the startup of the device at the minimum error current (3.6 mA).

2-wire; 4-20 mA HART, switch output¹⁾

"Approval" ²⁾	Terminal voltage U at the device	Maximum load R, depending on the supply voltage U ₀ at the supply unit
<ul style="list-style-type: none"> ■ Non-Ex ■ Ex nA ■ Ex nA[ia] ■ Ex ic ■ Ex ic[ia] ■ Ex d[ia] / XP ■ Ex ta / DIP ■ CSA GP 	13.5 to 35 V ^{3) 4)}	<p style="text-align: right; font-size: small;">A0034971</p>
<ul style="list-style-type: none"> ■ Ex ia / IS ■ Ex ia + Ex d[ia] / IS + XP 	13.5 to 30 V ^{3) 4)}	

1) Feature 020 of the product structure: option B

2) Feature 010 of the product structure

3) For ambient temperatures $T_a \leq -30\text{ °C}$ (-22 °F) a minimum voltage of 16 V is required for the startup of the device at the minimum error current (3.6 mA).

4) If the Bluetooth modem is used, the minimum supply voltage increases by 2 V.

2-wire; 4-20mA HART, 4-20mA¹⁾

"Approval" ²⁾	Terminal voltage U at the device	Maximum load R, depending on the supply voltage U ₀ at the supply unit
any	<p>Channel 1:</p> <p>13.5 to 30 V^{3) 4) 5)}</p>	<p style="text-align: right; font-size: small;">A0034969</p>
	<p>Channel 2:</p> <p>12 to 30 V</p>	

1) Feature 020 of the product structure: option C

2) Feature 010 of the product structure

3) For ambient temperatures $T_a \leq -30\text{ °C}$ (-22 °F) a minimum voltage of 16 V is required for the startup of the device at the minimum error current (3.6 mA).

4) For ambient temperatures $T_a \leq -40\text{ °C}$ (-40 °F), the maximum terminal voltage must be restricted to $U \leq 28\text{ V}$.

5) If the Bluetooth modem is used, the minimum supply voltage increases by 2 V.

Polarity reversal protection	Yes
Admissible residual ripple at f = 0 to 100 Hz	$U_{SS} < 1\text{ V}$
Admissible residual ripple at f = 100 to 10000 Hz	$U_{SS} < 10\text{ mV}$

4-wire, 4-20mA HART, active

"Power supply; Output" ¹⁾	Terminal voltage	Maximum load R _{max}
K: 4-wire 90-253VAC; 4-20mA HART	90 to 253 V _{AC} (50 to 60 Hz), overvoltage category II	500 Ω
L: 4-wire 10,4-48VDC; 4-20mA HART	10.4 to 48 V _{DC}	

1) Feature 020 of the product structure

PROFIBUS PA, FOUNDATION Fieldbus

"Power supply; Output" ¹⁾	"Approval" ²⁾	Terminal voltage
E: 2-wire; FOUNDATION Fieldbus, switch output G: 2-wire; PROFIBUS PA, switch output	<ul style="list-style-type: none"> ▪ Non-Ex ▪ Ex nA ▪ Ex nA[ia] ▪ Ex ic ▪ Ex ic[ia] ▪ Ex d[ia] / XP ▪ Ex ta / DIP ▪ CSA GP 	9 to 32 V ³⁾
	<ul style="list-style-type: none"> ▪ Ex ia / IS ▪ Ex ia + Ex d[ia] / IS + XP 	9 to 30 V ³⁾

1) Feature 020 of the product structure

2) Feature 010 of the product structure

3) Input voltages up to 35 V will not spoil the device.

Polarity sensitive	No
FISCO/FNICO compliant according to IEC 60079-27	Yes

Power consumption

"Power supply; Output" ¹⁾	Power consumption
A: 2-wire; 4-20mA HART	< 0.9 W
B: 2-wire; 4-20mA HART, switch output	< 0.9 W
C: 2-wire; 4-20mA HART, 4-20mA	< 2 x 0.7 W
K: 4-wire 90-253VAC; 4-20mA HART	6 VA
L: 4-wire 10,4-48VDC; 4-20mA HART	1.3 W

1) Feature 020 of the product structure

Current consumption

HART

Nominal current	3.6 to 22 mA, the start-up current for multidrop mode can be parametrized (is set to 3.6 mA on delivery)
Breakdown signal (NAMUR NE43)	adjustable: 3.59 to 22.5 mA

PROFIBUS PA

Nominal current	14 mA
Failure current FDE (Fault Disconnection Electronic)	0 mA

FOUNDATION Fieldbus

Device basic current	15 mA
Failure current FDE (Fault Disconnection Electronic)	0 mA

FISCO

U_i	17.5 V
I_i	550 mA
P_i	5.5 W
C_i	5 nF
L_i	10 μ H

Power supply failure

- Configuration is retained in the HistoROM (EEPROM).
- Error messages (incl. value of operated hours counter) are stored.

Potential equalization

No special measures for potential equalization are required.



If the device is designed for hazardous areas, observe the information in the documentation "Safety Instructions" (XA).

Terminals

- **Without integrated overvoltage protection**
Plug-in spring terminals for wire cross-sections 0.5 to 2.5 mm² (20 to 14 AWG)
- **With integrated overvoltage protection**
Screw terminals for wire cross-sections 0.2 to 2.5 mm² (24 to 14 AWG)

Cable entries

Connection of the power supply and signal cables

To be selected in feature 050 "Electrical connection":

- Coupling M20, material depends on approval:
 - For non-Ex, ATEX, IECEx, NEPSI Ex ia/ic:
Plastic M20x1.5 for cable \varnothing 5 to 10 mm (0.2 to 0.39 in)
 - For Dust-Ex, FM IS, CSA IS, CSA GP, Ex ec:
 - For Ex db:
No cable gland available
- Thread
 - 1/2" NPT
 - G 1/2"
 - M20 x 1.5
- M12 plug / 7/8" plug
Only available for non-Ex, Ex ic, Ex ia

Connection of remote display FHX50

Feature 030 "Display, operation"	Cable entry for connection of FHX50
L: "Prepared for display FHX50 + M12 connection"	M12 socket
M: "Prepared for display FHX50 + M16 cable gland, custom connection"	M12 cable gland
N: "Prepared for display FHX50 + NPT1/2 thread, custom connection"	Thread NPT1/2

Cable specification


- **Devices without integrated overvoltage protection**
Pluggable spring-force terminals for wire cross-sections 0.5 to 2.5 mm² (20 to 14 AWG)
- **Devices with integrated overvoltage protection**
Screw terminals for wire cross-sections 0.2 to 2.5 mm² (24 to 14 AWG)
- For ambient temperature $T_U \geq 60$ °C (140 °F): use cable for temperature $T_U + 20$ K.

HART

- A normal device cable suffices if only the analog signal is used.
- A shielded cable is recommended if using the HART protocol. Observe grounding concept of the plant.
- For 4-wire devices: Standard device cable is sufficient for the power line.

PROFIBUS

Use a twisted, screened two-wire cable, preferably cable type A.

-  For further information on the cable specifications, see Operating Instructions BA00034S "PROFIBUS DP/PA: Guidelines for planning and commissioning", PNO Guideline 2.092 "PROFIBUS PA User and Installation Guideline" and IEC 61158-2 (MBP).

FOUNDATION Fieldbus

Endress+Hauser recommends using twisted, shielded two-wire cables.

-  For further information on the cable specifications, see Operating Instructions BA00013S "FOUNDATION Fieldbus Overview", FOUNDATION Fieldbus Guideline and IEC 61158-2 (MBP).

Overvoltage protection

If the measuring device is used for level measurement in flammable liquids which requires the use of overvoltage protection according to DIN EN 60079-14, standard for test procedures 60060-1 (10 kA, pulse 8/20 µs), an overvoltage protection module has to be installed.

Integrated overvoltage protection module


An integrated overvoltage protection module is available for 2-wire HART as well as PROFIBUS PA and FOUNDATION Fieldbus devices.

Product structure: Feature 610 "Accessory mounted", option NA "Overvoltage protection".

Technical data	
Resistance per channel	2 × 0.5 Ω max.
Threshold DC voltage	400 to 700 V
Threshold impulse voltage	< 800 V
Capacitance at 1 MHz	< 1.5 pF
Nominal arrest impulse voltage (8/20 µs)	10 kA

External overvoltage protection module

HAW562 or HAW569 from Endress+Hauser are suited as external overvoltage protection.

-  For detailed information please refer to the following documents:
 - HAW562: TI01012K
 - HAW569: TI01013K

Performance characteristics

Reference operating conditions

- Temperature = +24 °C (+75 °F) ±5 °C (±9 °F)
- Pressure = 960 mbar abs. (14 psia) ±100 mbar (±1.45 psi)
- Humidity = 60 % ±15 %
- Reflection factor ≥ 0.8 (water surface for coax probe, metal plate for rod and rope probe with min. 1 m (40 in) diameter)
- Flange for rod or rope probe ≥ 300 mm (12 in) diameter
- Distance to obstacles ≥ 1 m (40 in)
- For interface measurement:
 - Coax probe
 - DC of lower medium = 80 (water)
 - DC of upper medium = 2 (oil)

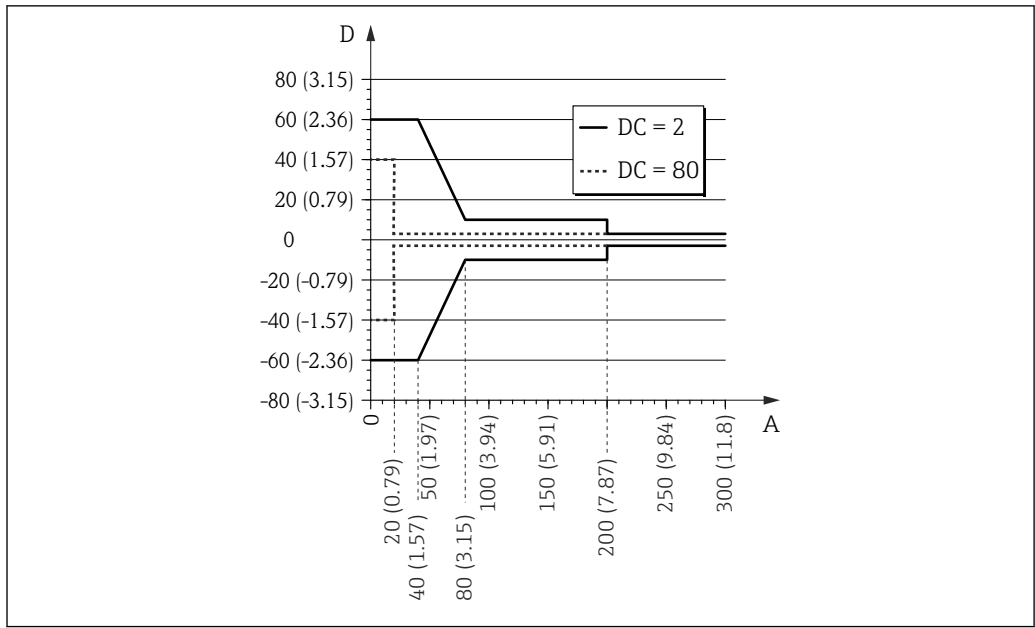
Reference accuracy

Typical data under reference operating conditions: DIN EN IEC 61298-2 / DIN EN IEC 60770-1; percentage values in relation to the span.

Output:	digital	analog ¹⁾
Accuracy (sum of non-linearity, non-repeatability and hysteresis) ²⁾	Level measurement: <ul style="list-style-type: none"> ■ Measuring distance up to 15 m (49 ft): ±2 mm (±0.08 in)³⁾ ■ Measuring distance > 15 m (49 ft): ±10 mm (±0.39 in) 	±0.02 %
	Interface measurement: <ul style="list-style-type: none"> ■ Measuring distance up to 500 mm (19.7 in): ±20 mm (±0.79 in) ■ Measuring distance > 500 mm (19.7 in): ±10 mm (±0.39 in) ■ If thickness of upper medium < 100 mm (3.94 in): ±40 mm (±1.57 in) 	
Non-repeatability ⁴⁾	≤1 mm (0.04 in)	

- 1) Add error of the analog value to the digital value.
- 2) If the reference conditions are not met, the offset/zero point resulting from the installation conditions can be up to ±16 mm (±0.63 in). This additional offset/zero point can be compensated for by entering a correction ("Level correction" parameter) during commissioning.
- 3) For probes with centering stars, the accuracy may deviate close to the centering stars.
- 4) The non-repeatability is already considered in the accuracy.

Differing from this, the following measured error applies in the area of the lower probe end:

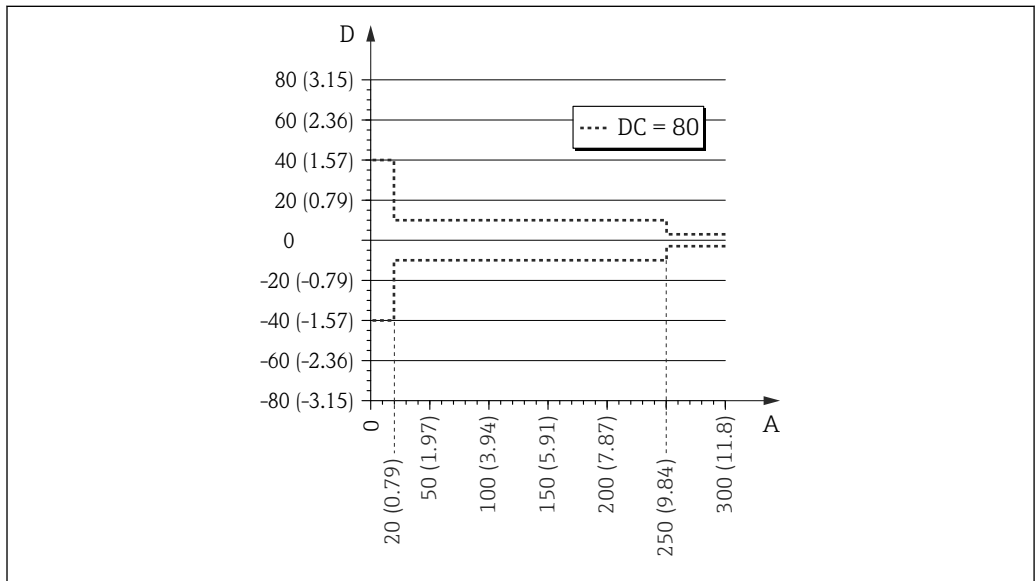


A0021480

29 Measured error at the probe end for rod and coax probes

A Distance from the probe end [mm(in)]

D Measured error: Sum of non-linearity, non-repeatability and hysteresis

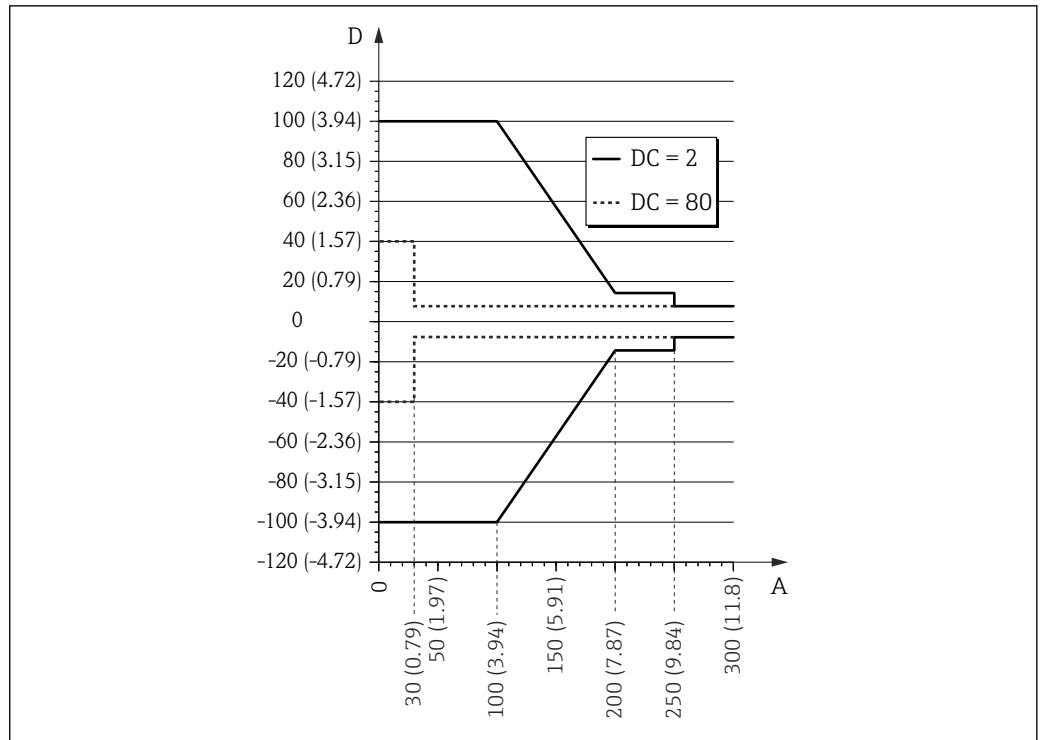


A0021482

30 Measured error at the probe end for rope probes

A Distance from the probe end [mm(in)]

D Measured error: Sum of non-linearity, non-repeatability and hysteresis



A0021483

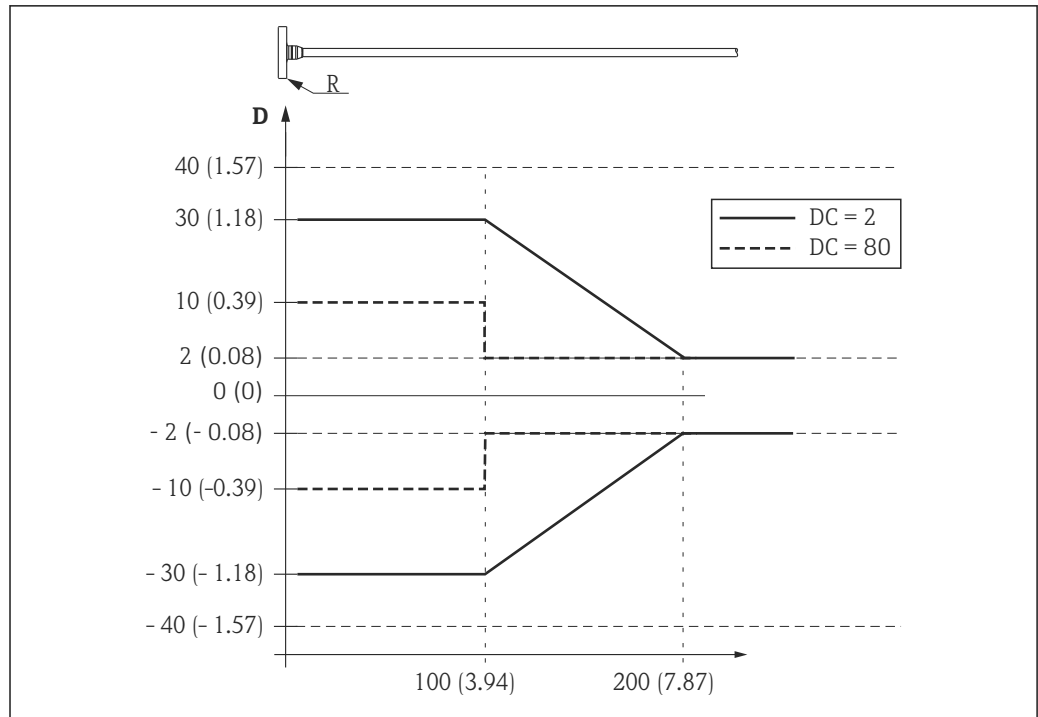
31 Measured error at the probe end in the case of metal centering disks (product structure: feature 610 "Accessory mounted", version OA, OB or OC)

A Distance from the probe end [mm(in)]

D Measured error: Sum of non-linearity, non-repeatability and hysteresis

i If the DC value is less than 7 in the case of rope probes, measurement is not possible in the area of the tensioning weight (0 to 250 mm from the probe end), (lower blocking distance).

The following measured error applies in the area of the upper probe end:



32 Measured error at the upper probe end; engineering unit: mm (in)

D Sum of non-linearity, non-repeatability and hysteresis

R Reference point of measurement

DC Dielectric constant

Resolution

- Digital: 1 mm
- Analog: 1 μ A

Response time

The response time can be configured. The following step response times (in accordance with DIN EN IEC 61298-2 / DIN EN IEC 60770-1)³⁾ are when damping is switched off:

Level measurement		
Probe length	Sampling rate	Response time
< 10 m (33 ft)	3.6 measurements per second	< 0.8 s
< 40 m (131 ft)	≥ 2.7 measurements per second	< 1 s

Interface measurement		
Probe length	Sampling rate	Response time
< 10 m (33 ft)	≥ 1.1 measurements per second	< 2.2 s

Influence of ambient temperature

The measurements are performed according to DIN EN IEC 61298-3 / DIN EN IEC 60770-1

- Digital (HART, PROFIBUS PA, FOUNDATION Fieldbus): average $T_K = 0.6$ mm/10 K
For FMP51 and FMP52 with a remote sensor,⁴⁾ there is an additional offset error of ± 0.3 mm/10K (± 0.01 in/10K) per 1 m (3.3 ft) of the remote cable.
- Analog (current output):
 - Zero point (4 mA): average $T_K = 0.02$ %/10 K
 - Span (20 mA): average $T_K = 0.05$ %/10 K

3) According to DIN EN IEC 61298-2 / DIN EN IEC 60770-1, the step response time is the time that elapses after an abrupt change in the input signal until the change in the output signal has adopted 90% of the steady-state value for the first time.

4) Product structure: feature 600, version MB, MC or MD)

Influence of gas phase

High pressure reduces the speed of propagation of the measuring signals in the gas/vapor above the medium. This effect depends on the type of gas phase and its temperature. This results in a systematic measured error that increases with increasing distance between the reference point of the measurement (flange) and the surface of the product. The following table shows this measured error for a few typical gases/vapors (with regard to the distance, a positive value means that too large a distance is being measured):

Gas phase	Temperature		Pressure					
	°C	°F	1 bar (14.5 psi)	10 bar (145 psi)	50 bar (725 psi)	100 bar (1450 psi)	200 bar (2900 psi)	400 bar (5800 psi)
Air	20	68	0.00 %	0.22 %	1.2 %	2.4 %	4.9 %	9.5 %
	200	392	-0.01 %	0.13 %	0.74 %	1.5 %	3.0 %	6.0 %
	400	752	-0.02 %	0.08 %	0.52 %	1.1 %	2.1 %	4.2 %
Hydrogen	20	68	-0.01 %	0.10 %	0.61 %	1.2 %	2.5 %	4.9 %
	200	392	-0.02 %	0.05 %	0.37 %	0.76 %	1.6 %	3.1 %
	400	752	-0.02 %	0.03 %	0.25 %	0.53 %	1.1 %	2.2 %

Gas phase	Temperature		Pressure							
	°C	°F	1 bar (14.5 psi)	2 bar (29 psi)	5 bar (72.5 psi)	10 bar (145 psi)	20 bar (290 psi)	50 bar (725 psi)	100 bar (1450 psi)	200 bar (2900 psi)
Water vapor (saturated steam)	100	212	0.26 %	-	-	-	-	-	-	-
	120	248	0.23 %	0.50 %	-	-	-	-	-	-
	152	306	0.20 %	0.42 %	1.14 %	-	-	-	-	-
	180	356	0.17 %	0.37 %	0.99 %	2.10 %	-	-	-	-
	212	414	0.15 %	0.32 %	0.86 %	1.79 %	3.9 %	-	-	-
	264	507	0.12 %	0.26 %	0.69 %	1.44 %	3.0 %	9.2 %	-	-
	311	592	0.09 %	0.22 %	0.58 %	1.21 %	2.5 %	7.1 %	19.3 %	-
	366	691	0.07 %	0.18 %	0.49 %	1.01 %	2.1 %	5.7 %	13.2 %	76 %

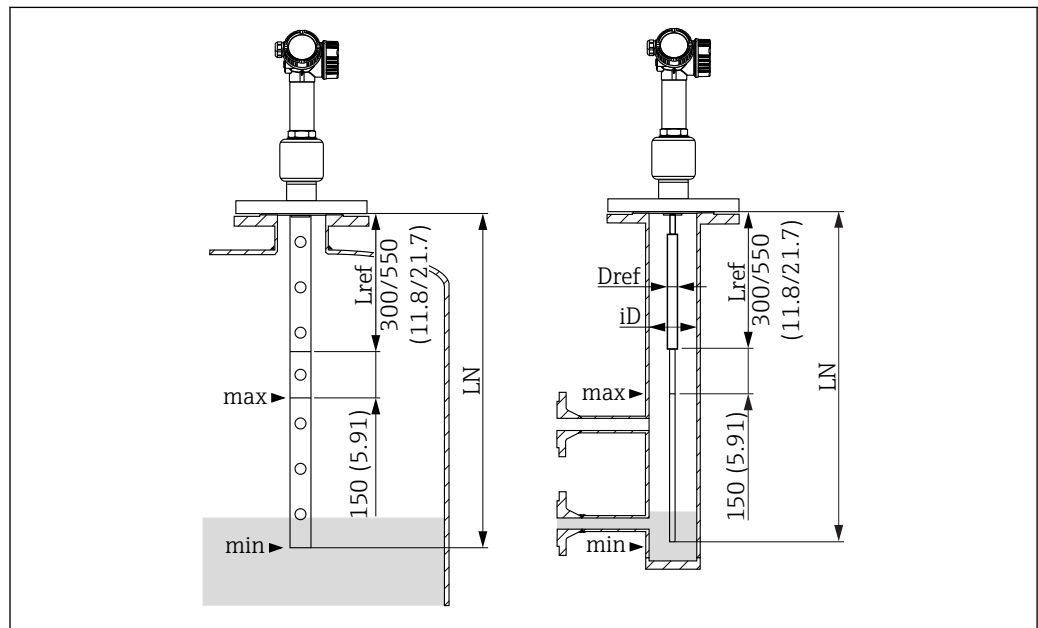
Gas phase compensation with external pressure sensor (PROFIBUS PA / FOUNDATION Fieldbus)

PROFIBUS and FOUNDATION Fieldbus devices can receive the signal from an external pressure sensor over the bus and use it to automatically perform a pressure-dependent time-of-flight correction. In the case of saturated steam in the temperature range from 100 to 350 °C (212 to 662 °F), this makes it possible to reduce the distance measurement error of up to 29 % (without compensation) to below 3 % (with compensation).

Gas phase compensation using reference signal (option for FMP54)

At high pressures and temperatures, the speed of propagation of the microwave signals in the steam (polar media) is reduced above the liquid to be measured. This causes the Levelflex to display a level that is too low → 43.

An optional version of the FMP54 is available with an automatic gas phase compensation function that corrects this measured error (feature 540: "Application packages", option EF: "Gas phase comp. $L_{ref} = 300\text{mm}$ " or EG: "Gas phase comp. $L_{ref} = 550\text{mm}$ "). In this version, a difference in the diameter of the probe rod generates a reference reflection at the distance L_{ref} from the flange. This reference reflection must be at least 150 mm above the highest level. The current speed of propagation is measured on the basis of this shift in the reference reflection and the level value is corrected automatically.



A0014534

33 FMP54 with reference signal for gas phase compensation; engineering unit: mm (in)

i Coax probes with reference reflection can be installed in any vessel (free in the tank or in a bypass). Coax probes are ready-mounted and adjusted at the factory and are ready for use without any additional parameter configuration.

i The use of rod probes is only recommended if the installation of a coax probe is not possible (e.g. if the bypass diameter is very small).

Rod probes with reference reflection are only suitable for installation in stilling wells and bypass chambers. The diameter D_{ref} of the probe rod in the area of the reference distance L_{ref} must be chosen to suit the pipe internal diameter iD , see the table below. The pipe must be cylindrical in the area of the reference distance L_{ref} ; cross-section changes, e.g. at flange connections, may not exceed 5% of the internal diameter iD .

In addition, following installation the settings must be checked by expert staff and corrected if necessary.

Internal diameter iD of stilling well/bypass	Diameter D_{ref} of the rod probe in the area of the reference length L_{ref}
40 mm (1.57") $\leq iD < 45$ mm (1.77")	22 mm (0.87")
45 mm (1.77") $\leq iD < 70$ mm (2.76")	25 mm (0.98")
70 mm (2.76") $\leq iD < 100$ mm (3.94")	30 mm (1.18")

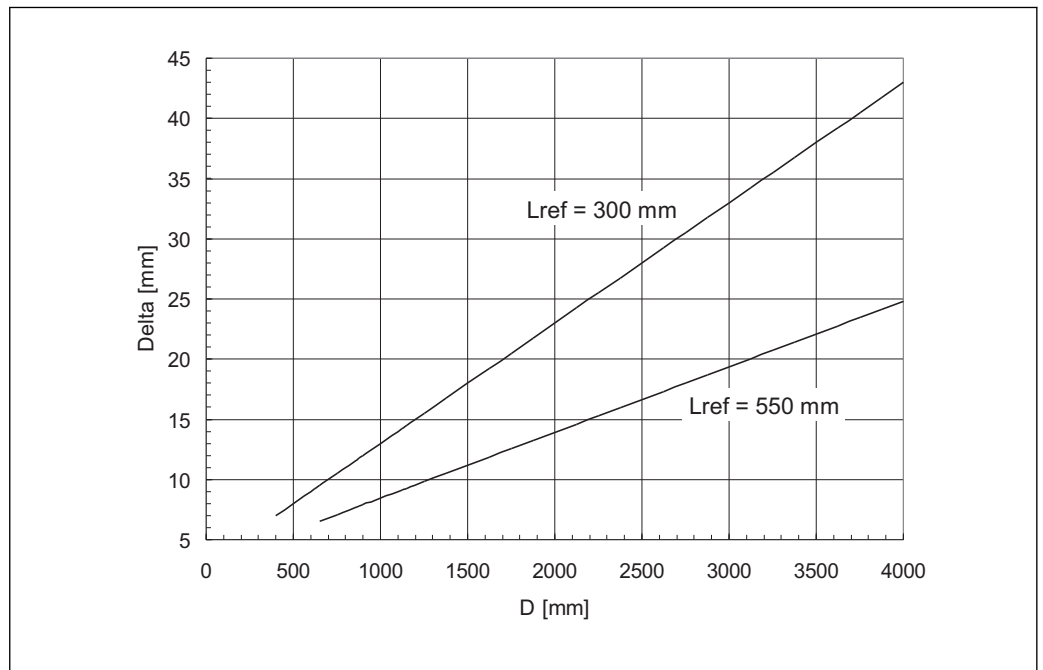
Restrictions for coax and rod probes

Maximum probe length LN	<ul style="list-style-type: none"> ■ For rod probes: LN ≤ 4 000 mm (157 in) ■ For coax probes: LN ≤ 6 000 mm (236 in)
Minimum probe length LN	LN > L _{ref} + 200 mm (L _{ref} + 7.7")
Reference distance L _{ref}	300 mm (11.8") or 550 mm (21.7"), see feature 540 of the product structure
Maximum level in relation to the flange sealing surface	L _{ref} + 150 mm
Minimum DC value of the medium	DC > 7

Area of application

Level measurements at high pressure and measuring ranges of up to a few meters in polar media with a dielectric constant DC > 7 (e.g. water or ammonia), which would produce a large measured error without compensation.

The measuring accuracy under reference conditions is higher the greater the reference distance L_{ref} and the smaller the measuring range:



A0014535

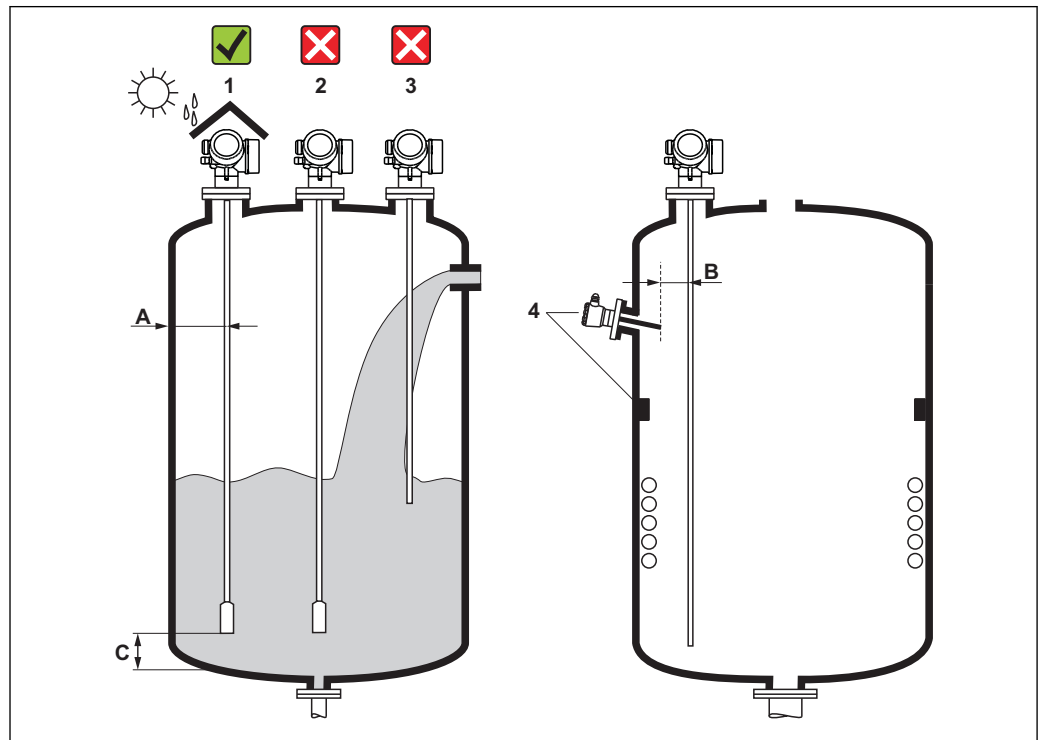
D Distance from product surface to lower edge of the flange
 Delta Measured error

In the event of fast pressure changes, an additional error may occur as the measured reference distance is averaged with the time constant of the level measurement. Furthermore, states of non-equilibrium - due to heating for example - may result in density gradients within the medium and condensation of steam at the probe. As a result, level readings may vary slightly at different locations in the vessel. These application-related influences can increase the measured error indicated above by a factor of up to 2 to 3.

Installation

Installation conditions

Suitable mounting position



34 Installation conditions for Levelflex

A0012606

Spacing requirements when mounting

- Distance (A) between the vessel wall and rod and rope probes:
 - For smooth metallic walls: > 50 mm (2 in)
 - For plastic walls: > 300 mm (12 in) to metallic parts outside the vessel
 - For concrete walls: > 500 mm (20 in), otherwise the permitted measuring range may be reduced.
- Distance (B) between rod probes and internal fittings (3): > 300 mm (12 in)
- When using more than one Levelflex:
Minimum distance between the sensor axes: 100 mm (3.94 in)
- Distance (C) from the end of the probe to the bottom of the vessel:
 - Rope probe: > 150 mm (6 in)
 - Rod probe: > 10 mm (0.4 in)
 - Coax probe: > 10 mm (0.4 in)




Coax probes can be mounted at any distance to the wall and internal fixtures.


Additional conditions

- When mounting outdoors, a weather protection cover (1) can be used to protect the device against extreme weather conditions.
- In metallic vessels, preferably do not mount the probe in the center of the vessel (2), as this would lead to increased interference echoes.

If a central mounting position cannot be avoided, it is essential to perform interference echo suppression (mapping) after commissioning the device.

- Do not mount the probe in the filling curtain (3).
- Avoid buckling the rope probe during installation or operation (e.g. as a result of product movement against silo wall) by selecting a suitable mounting location.

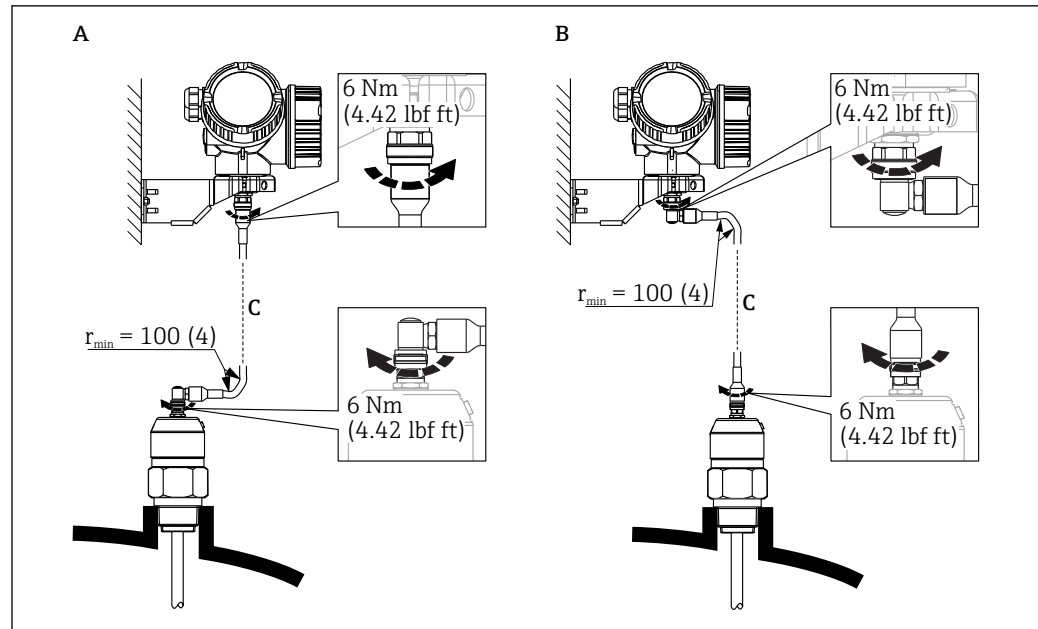
 In the case of freely suspended rope probes (probe end not fixed at the bottom), the distance between the probe rope and internal fittings, which can change due to the movement of the product, must never be less than 300 mm (12 in). Occasional contact between the probe end weight and the cone of the vessel, however, does not influence the measurement provided that the dielectric constant is at least $DC = 1.8$.

 When the housing is mounted in a recess (e.g. in a concrete ceiling), observe a minimum distance of 100 mm (4 in) between the cover of the connection compartment/electronics compartment and the wall. Otherwise the connection compartment/electronics compartment will not be accessible after installation.


Mounting under confined conditions

Mounting with remote probe

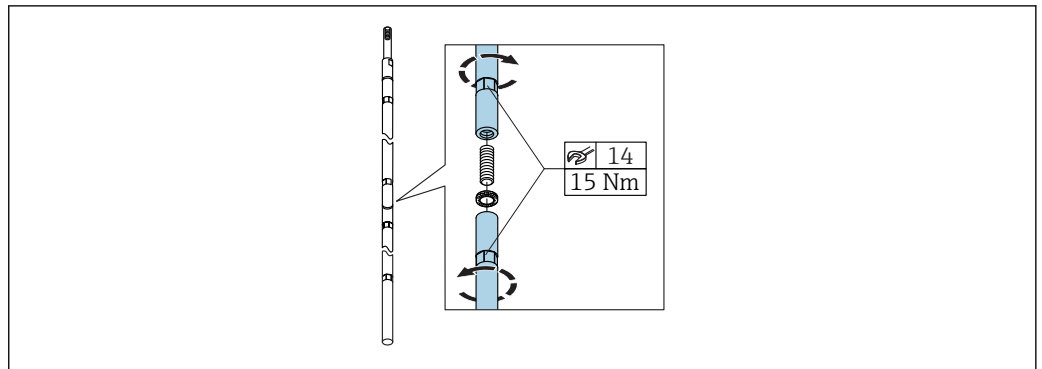
The device version with a remote probe is suitable for applications with restricted mounting space. In this case, the electronics housing is mounted at a separate position from the probe.



- A Angled plug at the probe
- B Angled plug at the electronics housing
- C Length of the remote cable as ordered

- Product structure, feature 600 "Probe design":
 - Version MB "Sensor remote, 3m cable"
 - Version MC "Sensor remote, 6m cable"
 - Version MD "Sensor remote, 9m cable"
- The connecting cable is included in the delivery with these versions.
Minimum bending radius: 100 mm (4 inch)
- The mounting bracket for the electronics housing is included in the delivery with these versions.
Mounting options:
 - Wall mounting
 - Mounting on DN32 to DN50 (1-1/4 to 2 inch) post or pipe
- The connection cable has one straight plug and one plug angled at 90°. Depending on the local conditions the angled plug can be connected at the probe or at the electronics housing.
-  The probe, electronics and connection cable are mutually compatible and bear a common serial number. Only components with the same serial number may be connected to one another.

Separable probes



A0021647

The use of separable rod probes (Ø 16 mm) is advisable in confined mounting conditions (limited distance to the ceiling).

- Max. probe length 10 m (394 in)
- Max. lateral loading capacity 30 Nm
- Probes can be separated several times, with the individual parts having the following lengths:
 - 500 mm (20 in)
 - 1 000 mm (40 in)



The joints between the individual rod segments are secured by the enclosed Nord Lock washers. Install the pre-assembled washers in pairs, cam face to cam face.

Notes on the mechanical load of the probe*Tensile loading capacity of rope probes**FMP51***Rope 4mm (1/6") 316**

5 kN

Rope 4mm (1/6") Alloy C

5 kN

*FMP52***Rope 4mm (1/6") PFA>316**

2 kN

*FMP54***Rope 4mm (1/6") 316**

10 kN

*Lateral loading capacity (flexural strength) of rod probes**FMP51***Rod 8mm (1/3") 316L**

10 Nm

Rod 12mm (1/2") 316L

30 Nm

Rod 12mm (1/2") AlloyC

30 Nm

Rod 16mm (0.63") 316L separable

30 Nm

*FMP52***Rod 16mm (0.63") PFA>316L**

30 Nm

*FMP54***Rod 16mm (0.63") 316L**

30 Nm

Rod 16mm (0.63") 316L separable

30 Nm

Lateral load (bending moment) from flow conditions

The formula for calculating the bending moment M acting on the probe:

$$M = c_w \times \rho/2 \times v^2 \times d \times L \times (L_N - 0.5 \times L)$$

With:

 c_w : coefficient of friction ρ [kg/m³]: density of the medium v [m/s]: flow velocity of the medium, perpendicular to the probe rod d [m]: diameter of the probe rod L [m]: level

L_N [m]: probe length

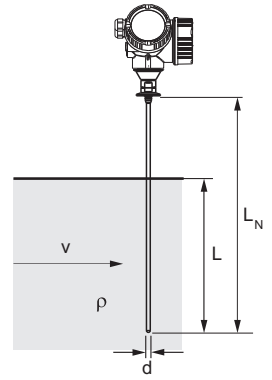
Sample calculation

Coefficient of friction c_w 0.9 (assuming turbulent flow - high Reynolds number)

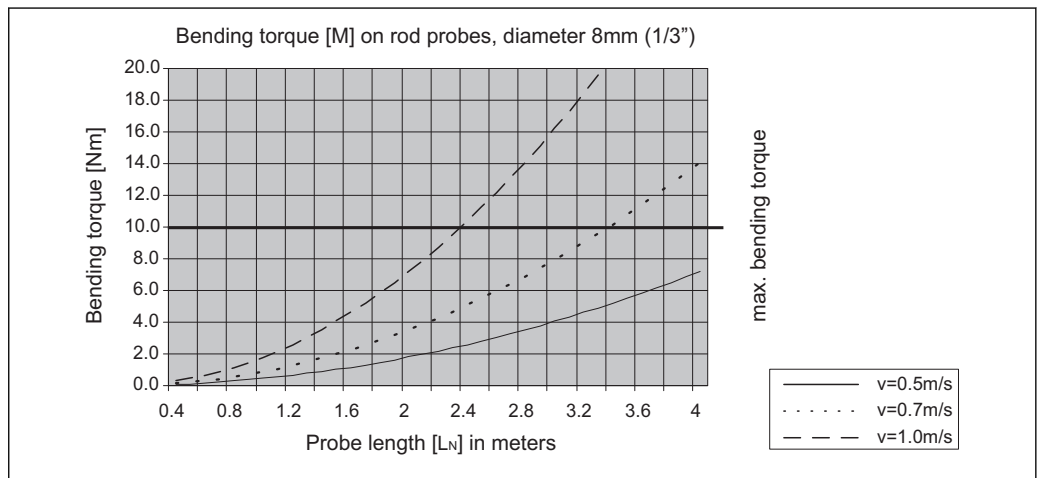
Density ρ [kg/m³] 1000 (e.g. water)

Probe diameter d [m] 0.008

$L = L_N$ (unfavorable conditions)



A0014175



A0014182-EN

Lateral loading capacity (flexural strength) of coax probes

FMP51

Probe Ø 21.3 mm 316L

60 Nm

Probe Ø 42.4 mm 316L

300 Nm

Probe Ø 42.4 mm AlloyC

300 Nm

FMP54

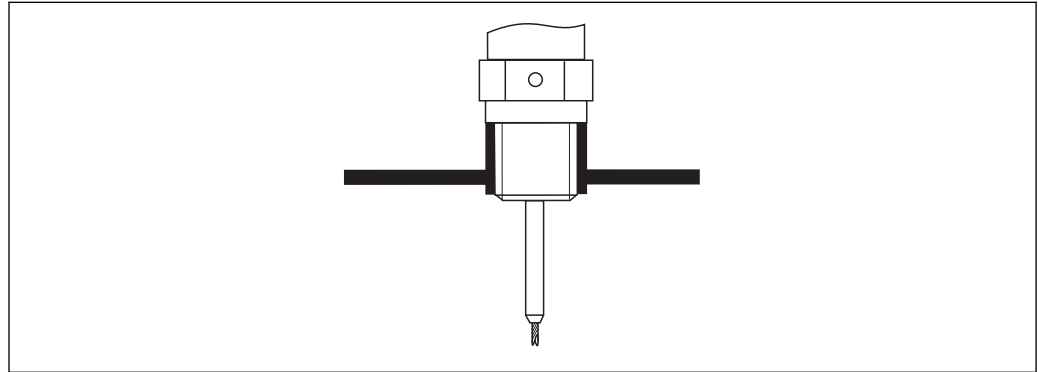
Probe Ø 42.4 mm 316L

300 Nm

Information concerning the process connection

i Probes are mounted on the process connection with threaded connections or flanges. If there is the danger with this installation that the probe end moves so much that it occasionally touches the vessel floor or cone, the probe may need to be shortened at the lower end and fixed in place.

Threaded connection



35 *Mounting with threaded connection; flush with the vessel ceiling*

Seal

The thread and the type of seal comply with DIN 3852 Part 1, screwed plug, form A.

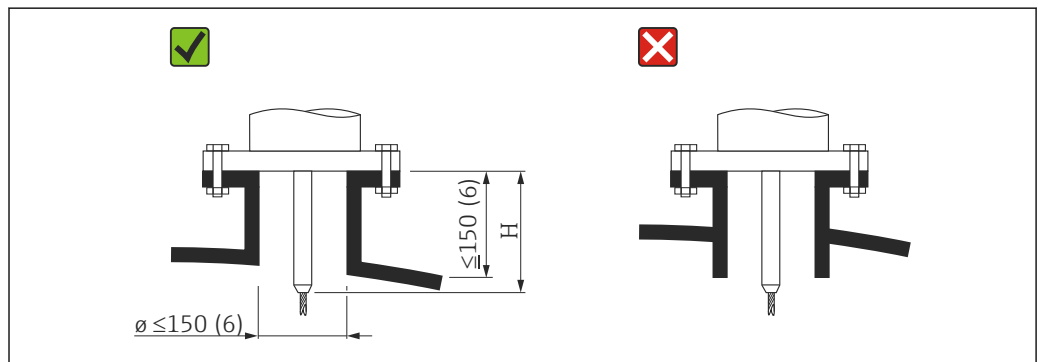
The following types of sealing ring can be used:

- For thread G3/4": According to DIN 7603 with dimensions 27 mm × 32 mm
- For thread G1/-1/2": According to DIN 7603 with dimensions 48 mm × 55 mm

Use a sealing ring according to this standard in form A, C or D and of a material that offers appropriate resistance for the application.

i Refer to the dimensional drawing for the length of the screwed plug:

Nozzle mounting



H Length of the centering rod or the rigid part of the rope probe

- Permissible nozzle diameter: ≤ 150 mm (6 in)
For larger diameters, the near-range measuring capability may be reduced.
For larger nozzles, see the section "Mounting in nozzles \ge DN300"
- Permissible nozzle height: ≤ 150 mm (6 in)
For larger heights, the near-range measuring capability may be reduced.
Larger nozzle heights are possible in special cases (on request), see sections "Centering rod for FMP51 and FMP52" and "Rod extension/centering device HMP40 for FMP54".
- The end of the nozzle should be flush with the tank ceiling in order to avoid ringing effects.

i In thermally insulated vessels, the nozzle should also be insulated in order to prevent condensate formation.

Centering rod

In the case of rope probes, it may be necessary to use a version with a centering rod so that the rope does not come in contact with the nozzle wall during the process.

The length of the optional centering rod determines the maximum nozzle height.

Rod extension/centering device HMP40 for FMP54

For FMP54 with rope probes, the rod extension/centering device HMP40 is available as an accessory. It must be used if the probe rope would otherwise come into contact with the lower edge of the nozzle.

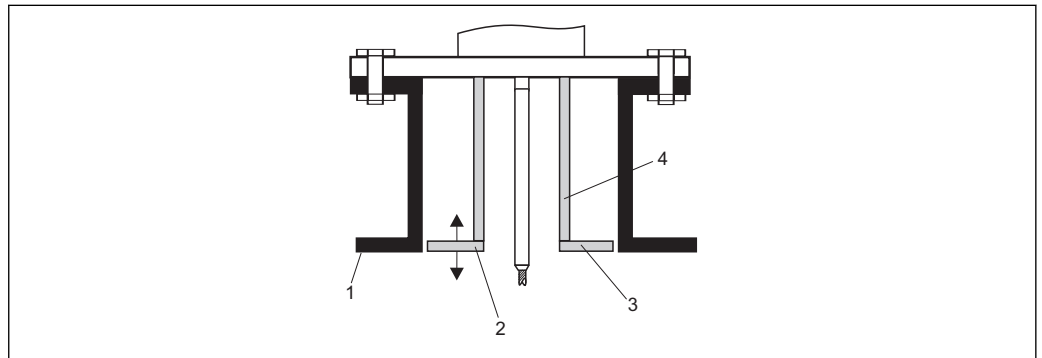
i This accessory consists of the extension rod, corresponding to the nozzle height, on which a centering disk is also mounted if the nozzles are narrow or when used in bulk solids.

This component is delivered separately from the device. Order a correspondingly shorter probe length.

Only use centering disks with small diameters (DN40 and DN50) if there is no significant build-up in the nozzle above the disk. The nozzle must not become clogged with product.

Mounting in nozzles \geq DN300

If installation in nozzles \geq 300 mm (12 in) is unavoidable, installation must be carried out in accordance with the following diagram in order to avoid interference signals in the near range.



A0014199

- 1 Lower edge of the nozzle
- 2 Approximately flush with the lower edge of the nozzle (± 50 mm)
- 3 Plate, nozzle \varnothing 300 mm (12 in) = plate \varnothing 280 mm (11 in); nozzle $\varnothing \geq$ 400 mm (16 in) = plate $\varnothing \geq$ 350 mm (14 in)
- 4 Pipe \varnothing 150 to 180 mm

Mounting cladded flanges

Note the following for cladded flanges:

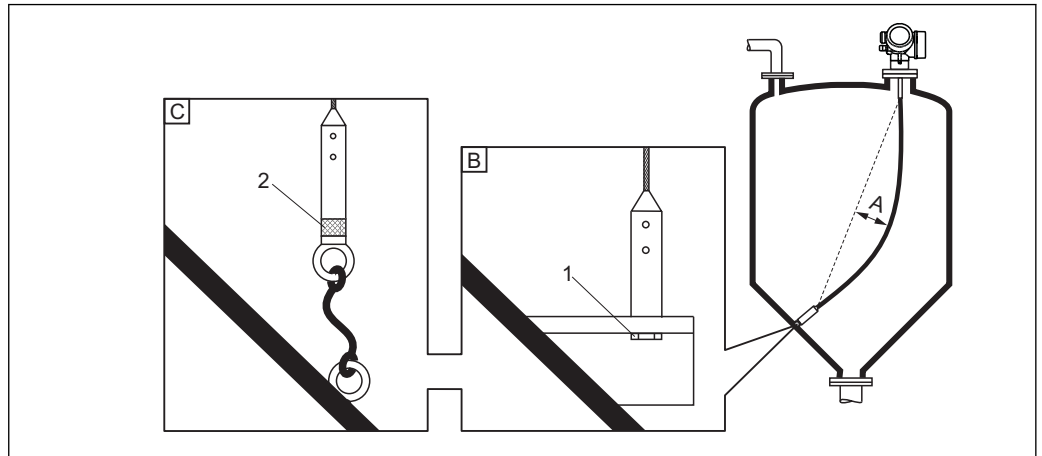
- Use the same number of flange screws as the number of flange bores provided.
- Tighten the screws with the necessary torque (see Table).
- Retighten after 24 hours or after the first temperature cycle.
- Depending on the process pressure and temperature, check and retighten the screws, where necessary, at regular intervals.

The PTFE flange cladding normally acts simultaneously as a seal between the nozzle and the device flange.

Flange size	Number of screws	Tightening torque
EN		
DN40/PN40	4	35 to 55 Nm
DN50/PN16	4	45 to 65 Nm
DN50/PN40	4	45 to 65 Nm
DN80/PN16	8	40 to 55 Nm
DN80/PN40	8	40 to 55 Nm
DN100/PN16	8	40 to 60 Nm
DN100/PN40	8	55 to 80 Nm
DN150/PN16	8	75 to 115 Nm
DN150/PN40	8	95 to 145 Nm
ASME		
1½"/150lbs	4	20 to 30 Nm
1½"/300lbs	4	30 to 40 Nm
2"/150lbs	4	40 to 55 Nm
2"/300lbs	8	20 to 30 Nm
3"/150lbs	4	65 to 95 Nm
3"/300lbs	8	40 to 55 Nm
4"/150lbs	8	45 to 70 Nm
4"/300lbs	8	55 to 80 Nm
6"/150lbs	8	85 to 125 Nm
6"/300lbs	12	60 to 90 Nm
JIS		
10K 40A	4	30 to 45 Nm
10K 50A	4	40 to 60 Nm
10K 80A	8	25 to 35 Nm
10K 100A	8	35 to 55 Nm
10K 100A	8	75 to 115 Nm

Securing the probe

Securing rope probes



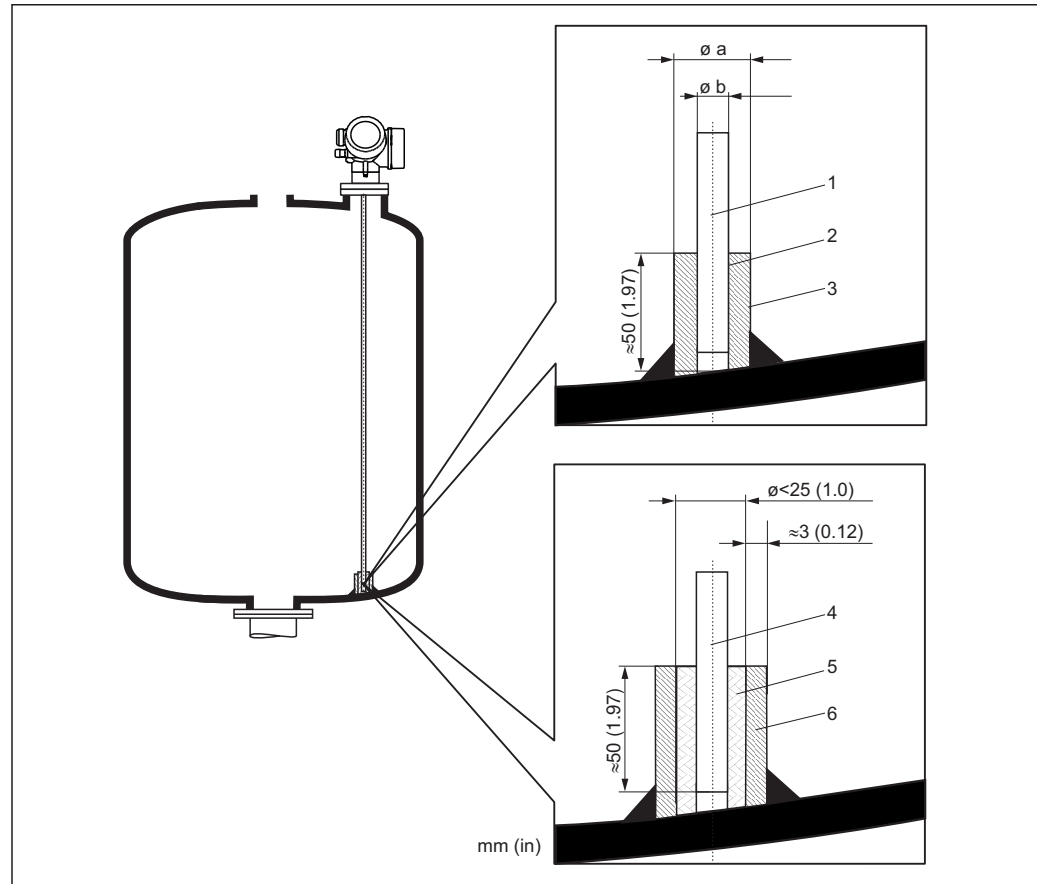
A0012609

- A Rope sag: $\geq 10 \text{ mm}/(1 \text{ m probe length})$ [$0.12 \text{ in}/(1 \text{ ft probe length})$]
 B Reliably grounded end of probe
 C Reliably insulated end of probe
 1 Fastener in female thread of probe end weight
 2 Insulated fastening kit

- The end of the rope probe must be secured (fixed down) under the following conditions:
 If the probe would otherwise temporarily come into contact with the vessel wall, the cone, internal fittings/beams or another part of the installation
- A female thread is provided in the probe weight to secure the end of the probe:
 Rope 4 mm (1/6"), 316: M 14
- When fixed down, the end of the probe must be either reliably grounded or reliably insulated. Use an insulated fastening kit if it is not otherwise possible to secure the probe with a reliably insulated connection.
- To prevent an extremely high tensile load (e.g. due to thermal expansion) and the risk of the rope breaking, the rope must be slack. Required sag: $\geq 10 \text{ mm}/(1 \text{ m rope length})$ [$0.12 \text{ in}/(1 \text{ ft rope length})$].
 Pay attention to the tensile loading capacity of rope probes.

Securing rod probes

- For WHG approval: A support is required for probe lengths ≥ 3 m (10 ft).
- In general, rod probes must be secured in the event of horizontal flow (e.g. from an agitator) or strong vibrations.
- Only secure rod probes directly at the end of the probe.



A0012607

Unit of measurement mm (in)

- 1 Probe rod, uncoated
- 2 Sleeve with narrow bore to ensure electrical contact between the sleeve and the rod.
- 3 Short metal pipe, e.g. welded in place
- 4 Probe rod, coated
- 5 Plastic sleeve, e.g. PTFE, PEEK, PPS
- 6 Short metal pipe, e.g. welded in place

Probe \varnothing 8 mm (0.31 in)

- $a < \varnothing$ 14 mm (0.55 in)
- $b = \varnothing$ 8.5 mm (0.34 in)

Probe \varnothing 12 mm (0.47 in)

- $a < \varnothing$ 20 mm (0.78 in)
- $b = \varnothing$ 12.5 mm (0.52 in)

Probe \varnothing 16 mm (0.63 in)

- $a < \varnothing$ 26 mm (1.02 in)
- $b = \varnothing$ 16.5 mm (0.65 in)

NOTICE

Poor grounding of the probe end may cause incorrect measurements.

- ▶ Use a sleeve with a narrow bore to ensure good electrical contact between the sleeve and the probe rod.

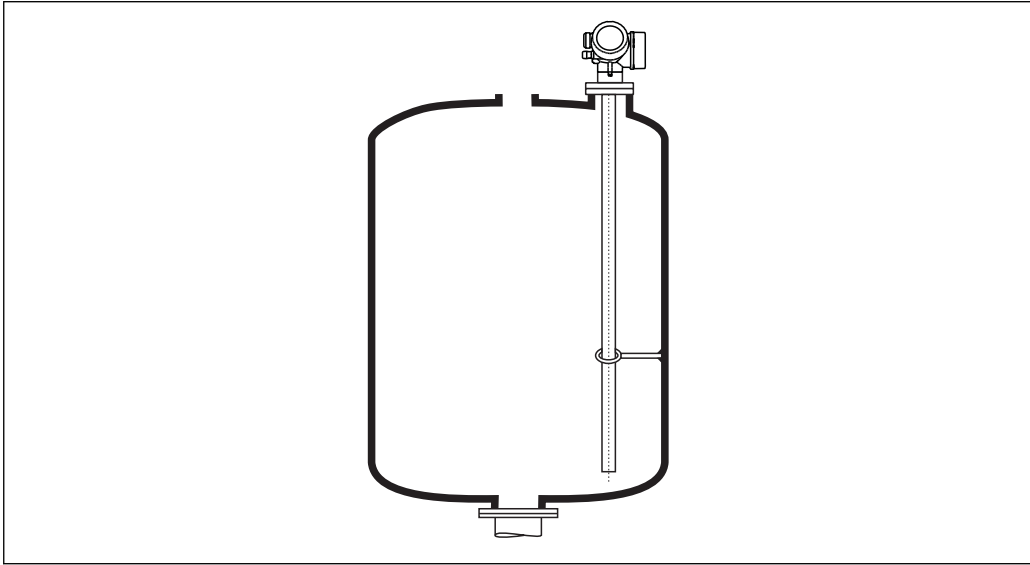
NOTICE

Welding can damage the main electronics module.

- ▶ Before welding: Ground the probe rod and remove the electronics.

Securing coax probes

For WHG approval: A support is required for probe lengths ≥ 3 m (10 ft).



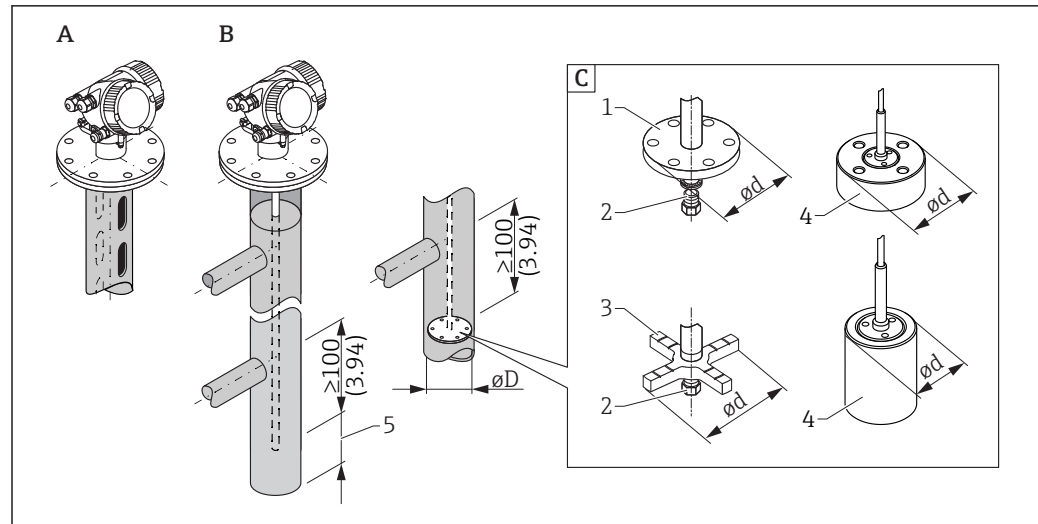
A0012608

Coax probes can be secured (fixed) at any point in the ground tube.

Special installation situations

Bypasses and stilling wells

i The use of centering disks/stars/weights (available as accessories) is recommended in bypass and stilling well applications.



36 Engineering unit: mm (in)

- A Mounting in stilling well
- B Mounting in bypass
- C Centering disk/centering star/centering weight
- 1 Metal centering disk (316L) for level measurement
- 2 Securing screw; torque: 25 Nm ± 5 Nm
- 3 Non-metal centering star (PEEK, PFA) preferred for interface measurement
- 4 Metal centering weight (316L) for level measurement
- 5 Minimum distance between probe end and lower edge of bypass 10 mm (0.4 in)

- Pipe diameter: > 40 mm (1.6 in) (for rod probes).
 - A rod probe can be installed in pipes with a diameter of up to 150 mm (6 in). The use of a coax probe is recommended for larger pipe diameters.
 - Side outlets, holes, slots and welds - with a maximum inward projection of 5 mm (0.2 in) - do not affect the measurement.
 - There should not be any changes in the diameter of the pipe.
 - The probe must be 100 mm (4 in) longer than the lower outlet.
 - The probes must not touch the pipe wall within the measuring range. Support or brace the probe if necessary. All rope probes are prepared for bracing in vessels (tensioning weight with anchor hole).
 - If a metal centering disk is mounted at the end of the probe rod, the signal for detecting the end of the probe is reliably defined.
- Note:** The non-metal centering stars made of PEEK or PFA are recommended for interface measurements. When using metal centering disks, it is important to ensure that the lower medium covers the centering disk at all times. Otherwise, incorrect interface measurements can result.
- Coax probes can be used within any restrictions provided that the pipe diameter permits their installation.

i For bypasses with condensate formation (water) and a medium with a low dielectric constant (e.g. hydrocarbons):

Over time, the bypass fills with condensate up to the lower outlet. When levels are low, the level echo is masked by the echo of the condensate as a result. In this range, the level of the condensate is output and the correct value is only output when levels are higher. For this reason, ensure that the lower outlet is 100 mm (4 in) below the lowest level to be measured and fit a metal centering disk at the level of the lower edge of the lower outlet.

i In thermally insulated vessels, the bypass should also be insulated in order to prevent condensate formation.

Assignment of centering disk/centering star/centering weight to the pipe diameter

Metal centering disk (316L)

for level measurement

Rod centering disk (Ød) 45 mm (1.77 in)

for pipe diameter (ØD)
DN50/2" to DN65/2½"

Rod centering disk (Ød) 75 mm (2.95 in)

for pipe diameter (ØD)
DN80/3" to DN100/4"

Rope centering disk (Ød) 75 mm (2.95 in)

for pipe diameter (ØD)
DN80/3" to DN100/4"

Metal centering weight (316L)

for level measurement

Rope centering weight (Ød) 45 mm (1.77 in), h 60 mm (2.36 in)

for pipe diameter (ØD)
DN50/2"

Rope centering weight (Ød) 75 mm (2.95 in), h 30 mm (1.81 in)

for pipe diameter (ØD)
DN80/3"

Rope centering weight (Ød) 95 mm (3.74 in), h 30 mm (1.81 in)

for pipe diameter (ØD)
DN100/4"

Non-metal centering star (PEEK)

For level and interface measurement, operating temperature: -60 to +250 °C (-76 to 482 °F)

Rod centering star (Ød) 48 to 95 mm (1.89 to 3.74 in)

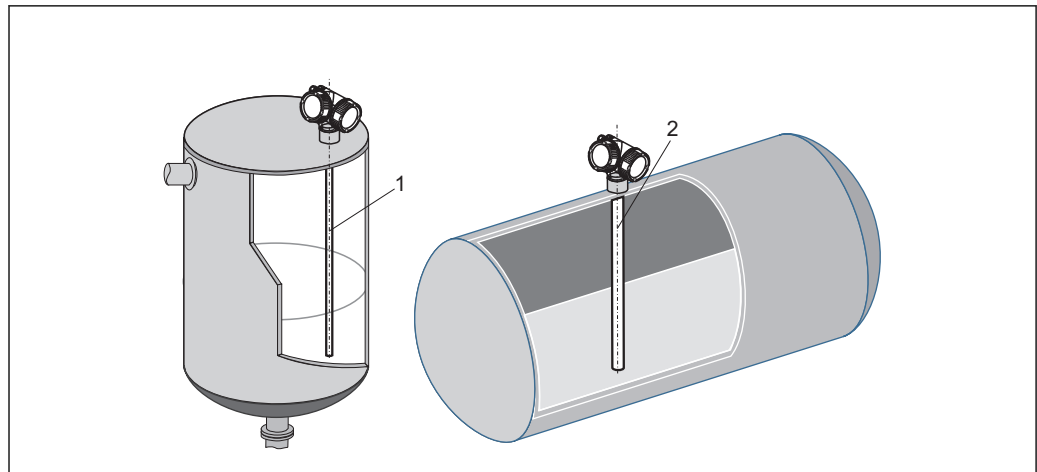
for pipe diameter (ØD)
≥ DN50/2"

Non-metal centering star (PFA)

For level and interface measurement, operating temperature: -200 to +250 °C (-328 to +482 °F)

Rod centering star (Ød) 37 mm (1.46 in)

for pipe diameter (ØD)
≥40 mm (1.57 in)

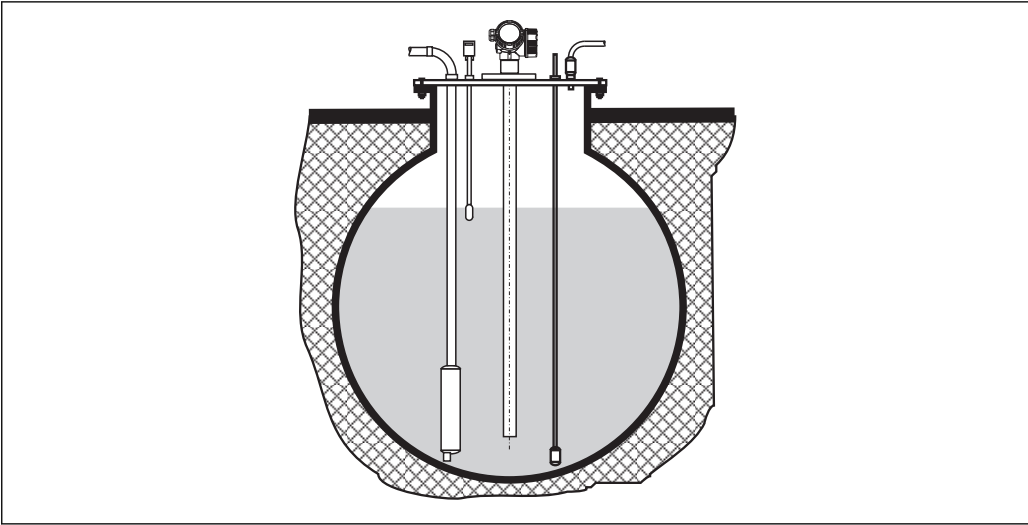
Horizontal cylindrical and vertical tanks

A0014141

1 Coax probe

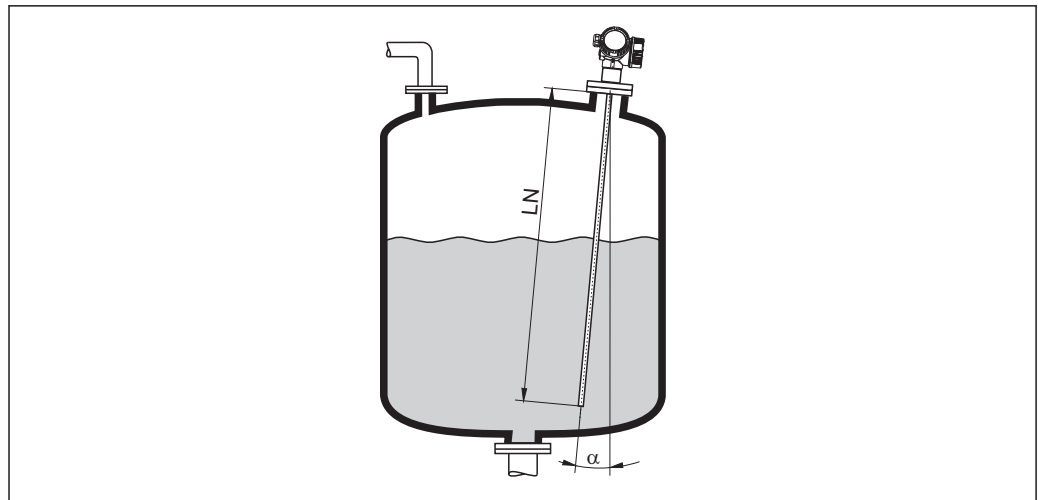
- Any distance from wall provided occasional contact is avoided.
- Use a coax probe (1) if installing in tanks with many internal fixtures or internal fixtures located close to the probe.

Underground tanks



A0014142

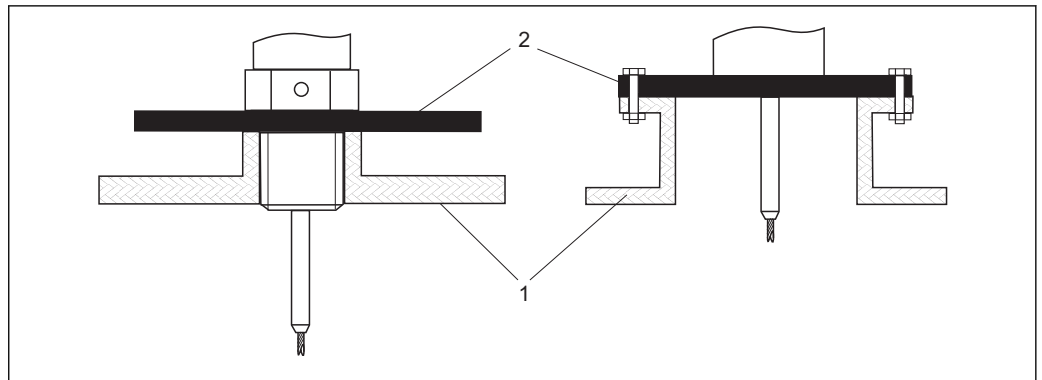
In the case of nozzles with large diameters, use a coax probe to avoid reflections at the nozzle wall.

Mounting at an angle

A0014145

- For mechanical reasons, the probe should be installed as vertically as possible.
- If the probe is installed at an angle, the length of the probe must be reduced depending on the angle of installation.
 - α 5°: $LN_{max.}$ 4 m (13.1 ft)
 - α 10°: $LN_{max.}$ 2 m (6.6 ft)
 - α 30°: $LN_{max.}$ 1 m (3.3 ft)

Non-metal vessels



A0012527

- 1 *Non-metal vessel*
- 2 *Metal sheet or metal flange*

To ensure good measurement results when mounting on non-metal vessels

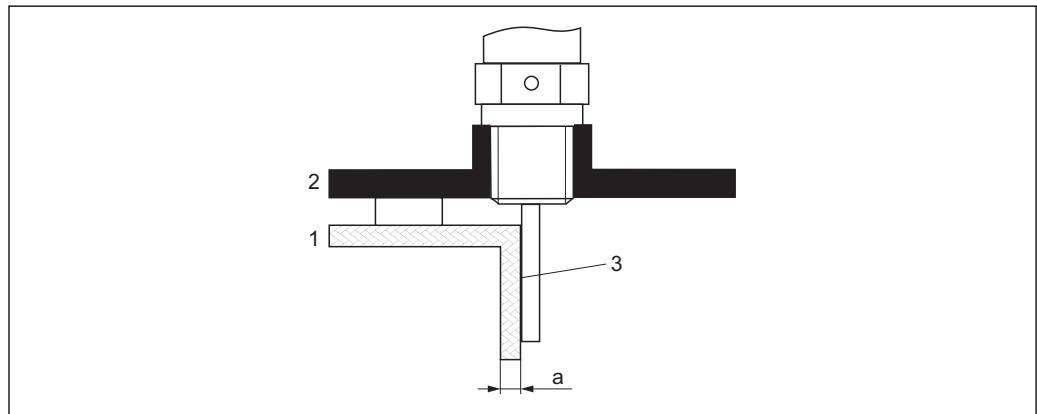
- Use a device with a metal flange (minimum size DN50/2").
- Alternatively: at the process connection, mount a metal sheet with a diameter of at least 200 mm (8 in) at a right angle to the probe.



A metal surface is not required at the process connection in the case of coax probes.

Plastic and glass vessels: Mounting the probe on the outside wall

In the case of plastic and glass vessels, the probe can also be mounted on the outside wall under certain conditions.



A0014150

- 1 Plastic or glass vessel
- 2 Metal plate with screw-in sleeve
- 3 No space between vessel wall and probe!

Requirements

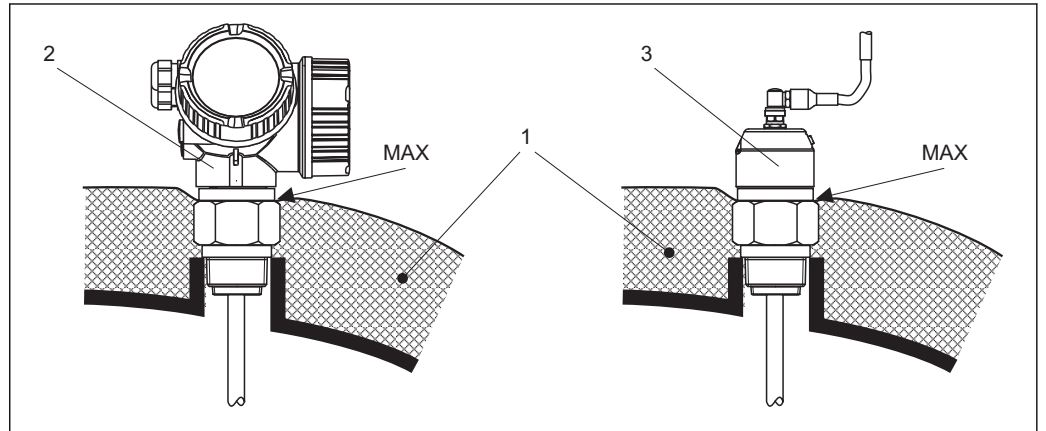
- Dielectric constant of the medium: $\epsilon_r > 7$.
- Non-conductive vessel wall.
- Maximum wall thickness (a):
 - Plastic: < 15 mm (0.6 in)
 - Glass: < 10 mm (0.4 in)
- No metal reinforcements on the vessel.

Note the following when mounting the device:

- Mount the probe directly on the vessel wall without any space between the wall and probe.
- To prevent any influence on the measurement, fit a plastic half pipe with a diameter of at least 200 mm (8 in), or a similar protective unit, on the probe.
- For vessel diameters less than 300 mm (12 in):
 - On the opposite side of the vessel, fit a grounding plate that is conductively connected to the process connection and covers around half of the vessel's circumference.
- For vessel diameters of 300 mm (12 in) and higher:
 - At the process connection, fit a metal plate with a diameter of at least 200 mm (8 in) at a right angle to the probe (see above).

Vessel with thermal insulation

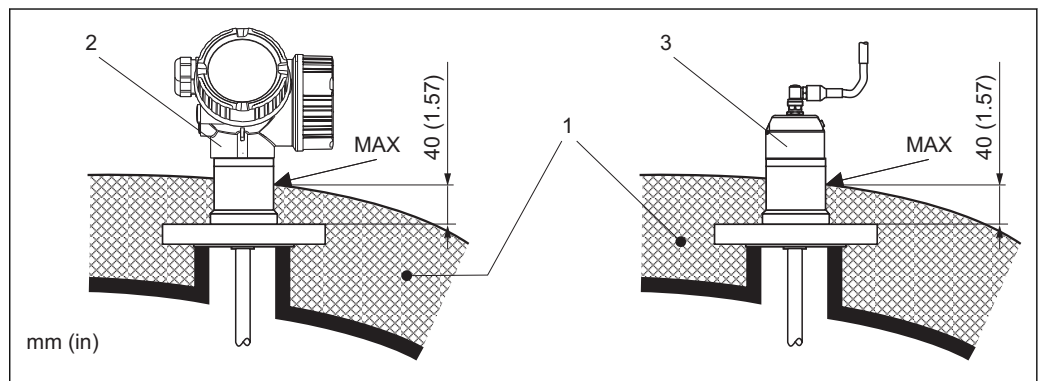
i If process temperatures are high, the device must be included in normal vessel insulation (1) in order to prevent the electronics heating up as a result of thermal radiation or convection. The insulation may not go beyond the points labeled "MAX" in the drawings.



A0014653

37 Process connection with thread

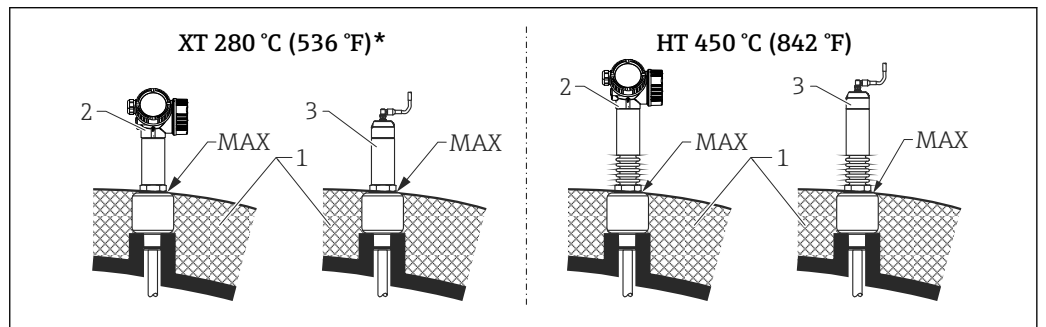
- 1 Vessel insulation
- 2 Compact device
- 3 Sensor, remote



A0014654

38 Process connection with flange

- 1 Vessel insulation
- 2 Compact device
- 3 Sensor, remote

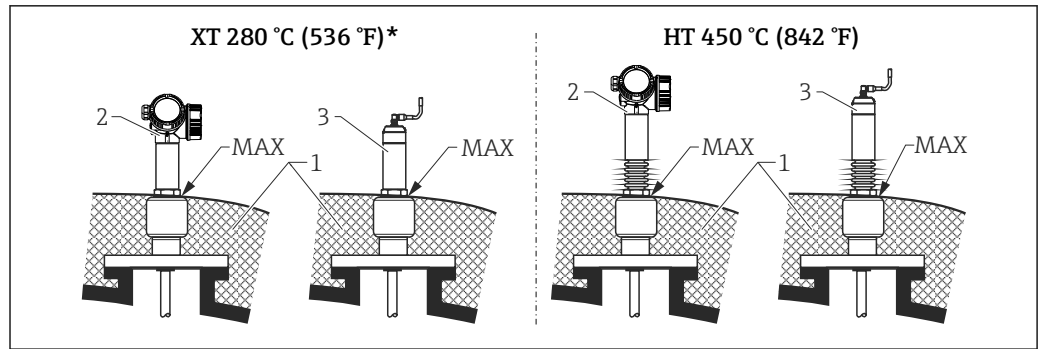


A0014657

39 Process connection with thread - sensor version XT and HT

- 1 Vessel insulation
- 2 Compact device
- 3 Sensor, remote

* The XT version is not recommended for saturated steam above 200 °C (392 °F); the HT version should be used instead



A0014658

40 Process connection with flange - sensor version XT and HT

1 Vessel insulation

2 Compact device

3 Sensor, remote

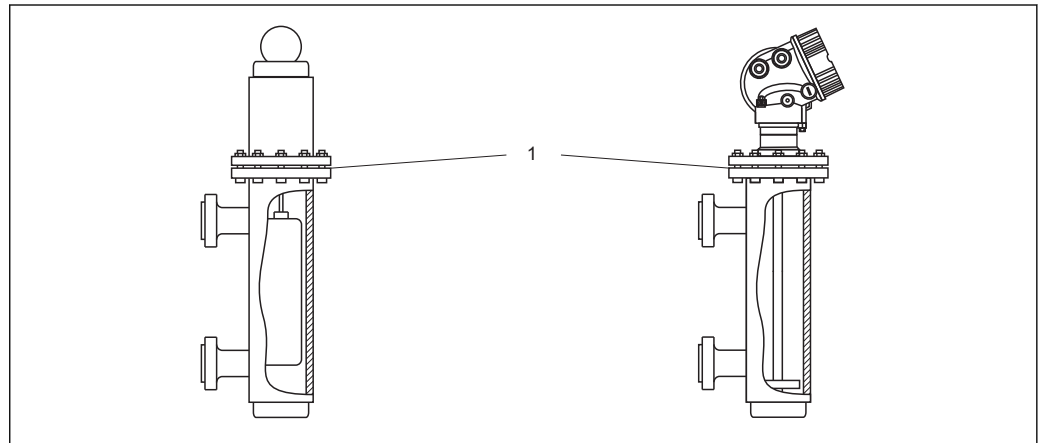
* The XT version is not recommended for saturated steam above 200 °C (392 °F); the HT version should be used instead

Replacing a displacer system in an existing displacer chamber

FMP51 and FMP54 are a perfect replacement for a conventional displacer system in an existing displacer chamber. Flanges that suit Fisher and Masoneilan displacer chambers are available for this purpose (special product for FMP51; feature 100 of the product structure, options LNJ, LPJ, LQJ for FMP54). Thanks to menu-guided local operation, commissioning the Levelflex only takes a few minutes. Replacement is also possible when partially filled, and wet calibration is not required.

Your benefits:

- No moving parts, therefore zero-maintenance operation.
- Not affected by process influences such as temperature, density, turbulence and vibrations.
- The rod probes can be easily shortened or replaced. Therefore, the probe can also be easily adjusted on site.



A0014153

1 Flange of the displacer chamber

Planning instructions:

- In normal cases, use a rod probe. When installing into a metal displacer chamber up to 150 mm, you have all the advantages of a coax probe.
- Contact between the probe and the side wall must be avoided. Where necessary, use a centering disk or centering star at the bottom end of the probe.
- The centering disk or centering star must be adapted as accurately as possible to the internal diameter of the displacer chamber to also ensure correct operation around the probe end.

Additional information regarding interface measurement

- In the case of oil and water, the centering star should be positioned at the lower edge of the lower outlet (water level).
- There should not be any changes in the diameter of the pipe. Use the coax probe if necessary.
- It must be ensured that rod probes do not come into contact with the wall. Where necessary, use a centering star at the end of the probe.
- The non-metal centering stars made of PEEK or PFA are recommended for interface measurements. When using metal centering disks, it is important to ensure that the lower medium covers the centering disk at all times. Otherwise, incorrect interface measurements can result.

Operating conditions: Environment

Ambient temperature	Measuring device	-40 to +80 °C (-40 to +176 °F)
	Measuring device (option for FMP51 and FMP54)	-50 to +80 °C (-58 to +176 °F) ¹⁾
	Local display	-20 to +70 °C (-4 to +158 °F), the readability of the display may be impaired at temperatures outside the temperature range.
	Connecting cable (for "Sensor, remote" probe design)	Max. 100 °C (212 °F)
	Remote display FHX50	-40 to 80 °C (-40 to 176 °F)
	Remote display FHX50 (option)	-50 to 80 °C (-58 to 176 °F) ¹⁾

- 1) This range applies if the option JN "Transmitter ambient temperature -50 °C (-58 °F)" has been selected in order code 580 "Test, certificate". If the temperature is permanently below -40 °C (-40 °F), the chance of failure increases.

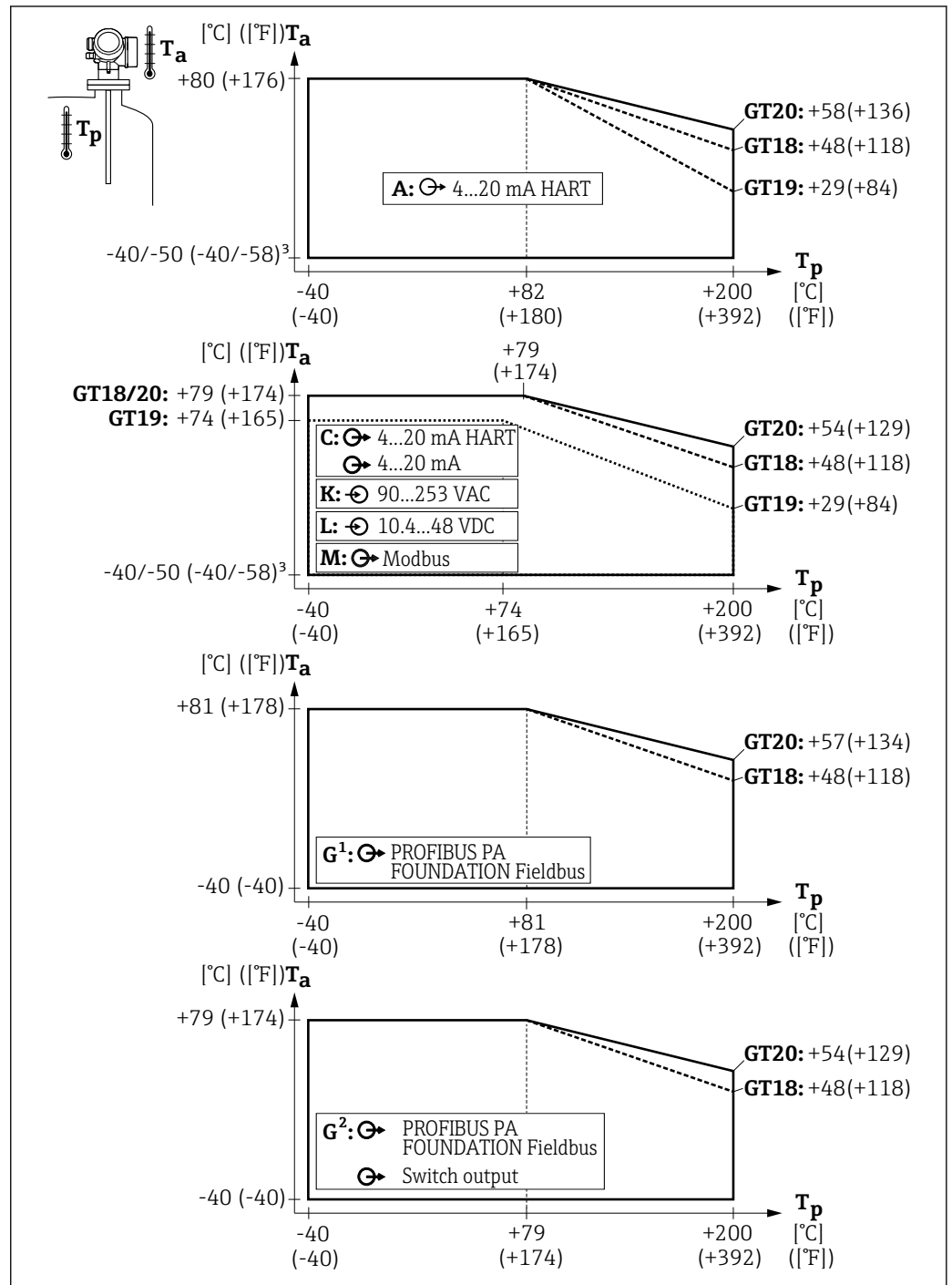
For outdoor operation in strong sunlight:

- Mount the device in the shade.
- Avoid direct sunlight, particularly in warm climatic regions.
- Use a weather protection cover (see accessories).

Ambient temperature limits The following diagrams only consider functional aspects. Additional restrictions may apply for certified device versions. See the separate Safety Instructions for more information.

In the event of temperature (T_p) at the process connection, the permitted ambient temperature (T_a) is reduced as indicated in the following diagram (temperature derating):

Temperature derating for FMP51 with threaded connection $G^{3/4}$ or $NPT^{3/4}$



GT18 = Stainless steel housing
 GT19 = Plastic housing
 GT20 = Aluminum housing

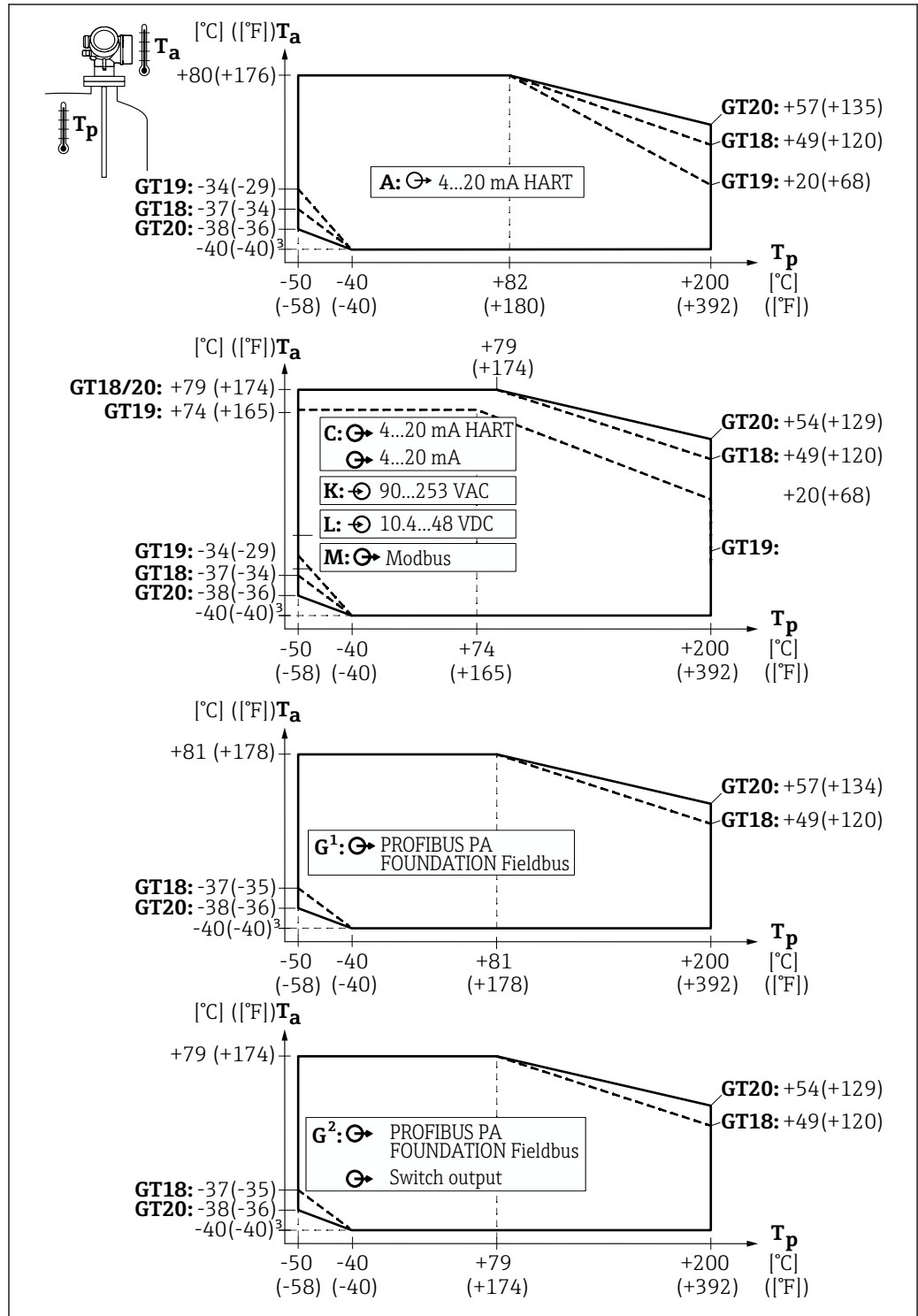
A = 1 current output
 C = 2 current outputs
 G¹, G² = PROFIBUS PA ^{1) 2)}
 K, L = 4-wire

T_a = Ambient temperature ³⁾
 T_p = Temperature at the process connection

- 1) G¹: Switch output not used
- 2) G²: Switch output used
- 3) T_a to -50 °C (-58 °F) for order code 580 "Test, certificate" = JN "Transmitter ambient temperature -50 °C (-58 °F)"; only available for 2-wire HART devices

A0013687

Temperature derating for FMP51 with threaded connection G1½ or NPT1½



A0014121

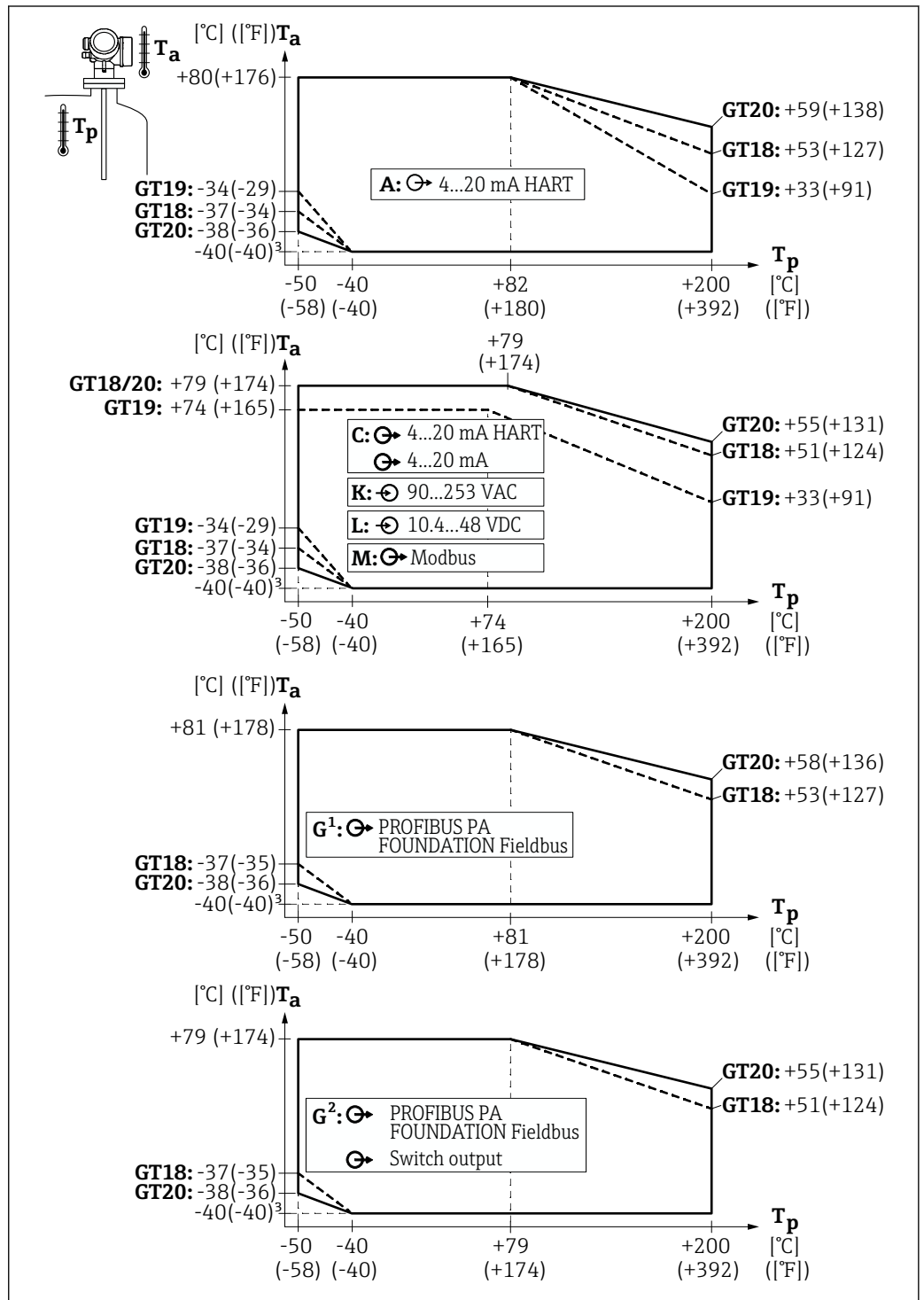
GT18 = Stainless steel housing
GT19 = Plastic housing
GT20 = Aluminum housing

A = 1 current output
C = 2 current outputs
G¹, G² = PROFIBUS PA^{1) 2)}
K, L = 4-wire

T_a = Ambient temperature³⁾
 T_p = Temperature at the process connection

- 1) G¹: Switch output not used
- 2) G²: Switch output used
- 3) T_a to -50 °C (-58 °F) for order code 580 "Test, certificate" = JN "Transmitter ambient temperature -50 °C (-58 °F)"; only available for 2-wire HART devices

Temperature derating for FMP51 with flange



GT18 = Stainless steel housing
 GT19 = Plastic housing
 GT20 = Aluminum housing

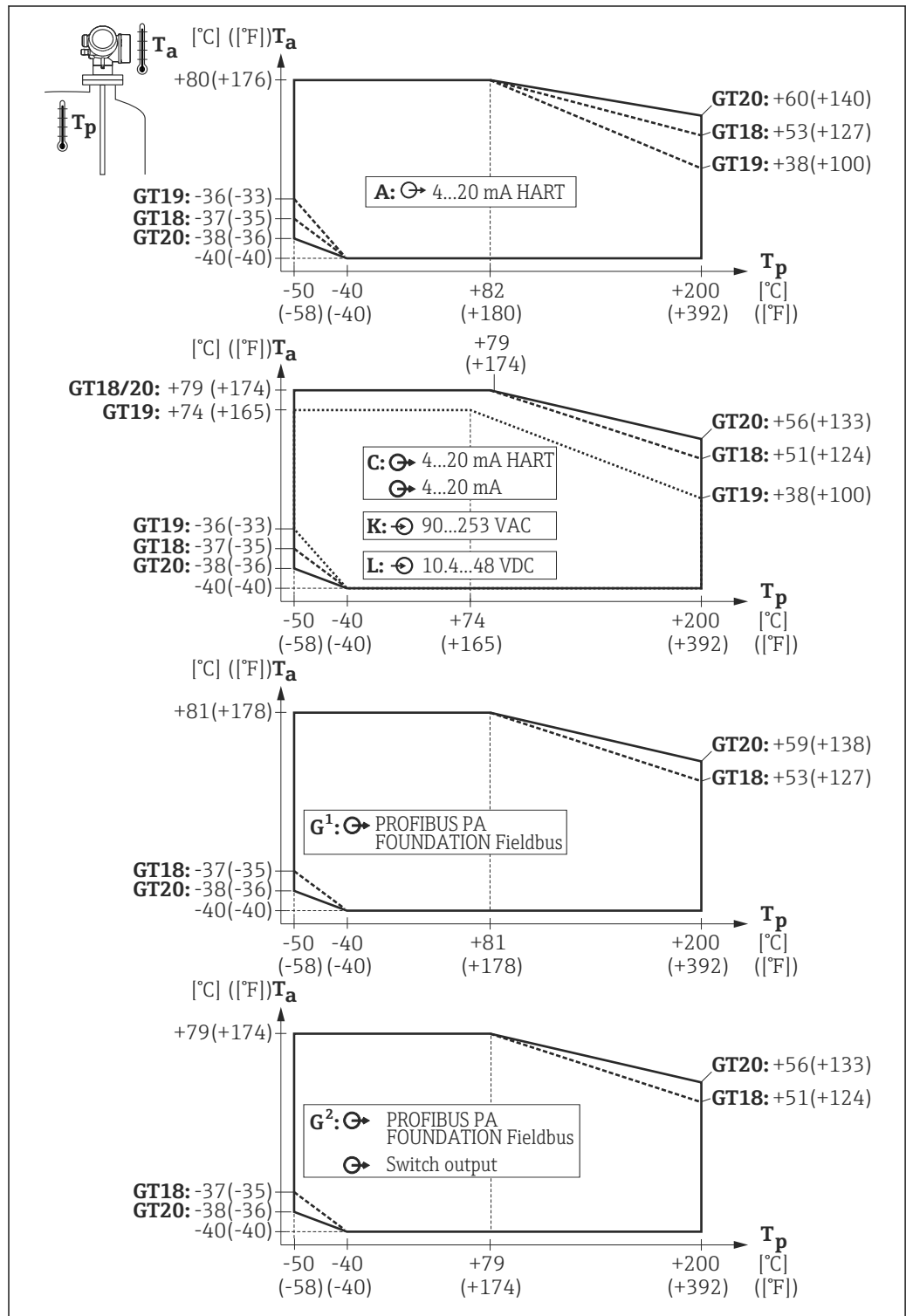
A = 1 current output
 C = 2 current outputs
 G¹, G² = PROFIBUS PA ^{1) 2)}
 K, L = 4-wire

T_a = Ambient temperature ³⁾
 T_p = Temperature at the process connection

- 1) G¹: Switch output not used
- 2) G²: Switch output used
- 3) T_a to -50 °C (-58 °F) for order code 580 "Test, certificate" = JN "Transmitter ambient temperature -50 °C (-58 °F)"; only available for 2-wire HART devices

A0013689

Temperature derating for FMP52



A0013633

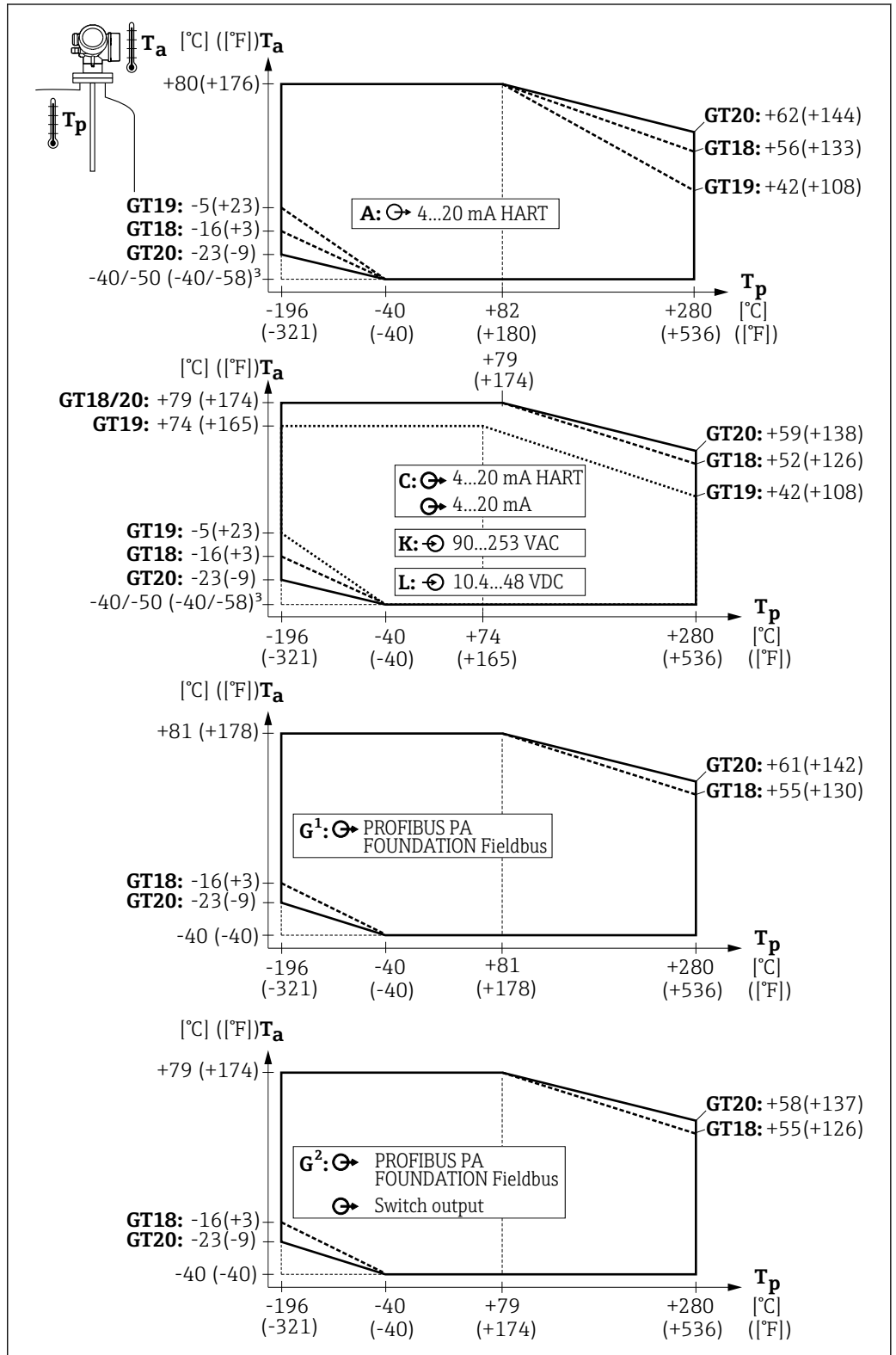
GT18 = Stainless steel housing
 GT19 = Plastic housing
 GT20 = Aluminum housing

A = 1 current output
 C = 2 current outputs
 G¹, G² = PROFIBUS PA¹⁾
 K, L = 4-wire

T_a = Ambient temperature
 T_p = Temperature at the process connection²⁾

- 1) In the case of PROFIBUS PA and FOUNDATION Fieldbus, the temperature derating depends on whether the switch output (terminals 3 and 4) is used (G²) or not (G¹).
- 2) The process temperature should not exceed 150 °C (302 °F) for saturated steam applications. Use FMP54 for higher process temperatures.

Temperature derating for FMP54 - version XT to +280 °C (+536 °F)



GT18 = Stainless steel housing
 GT19 = Plastic housing
 GT20 = Aluminum housing

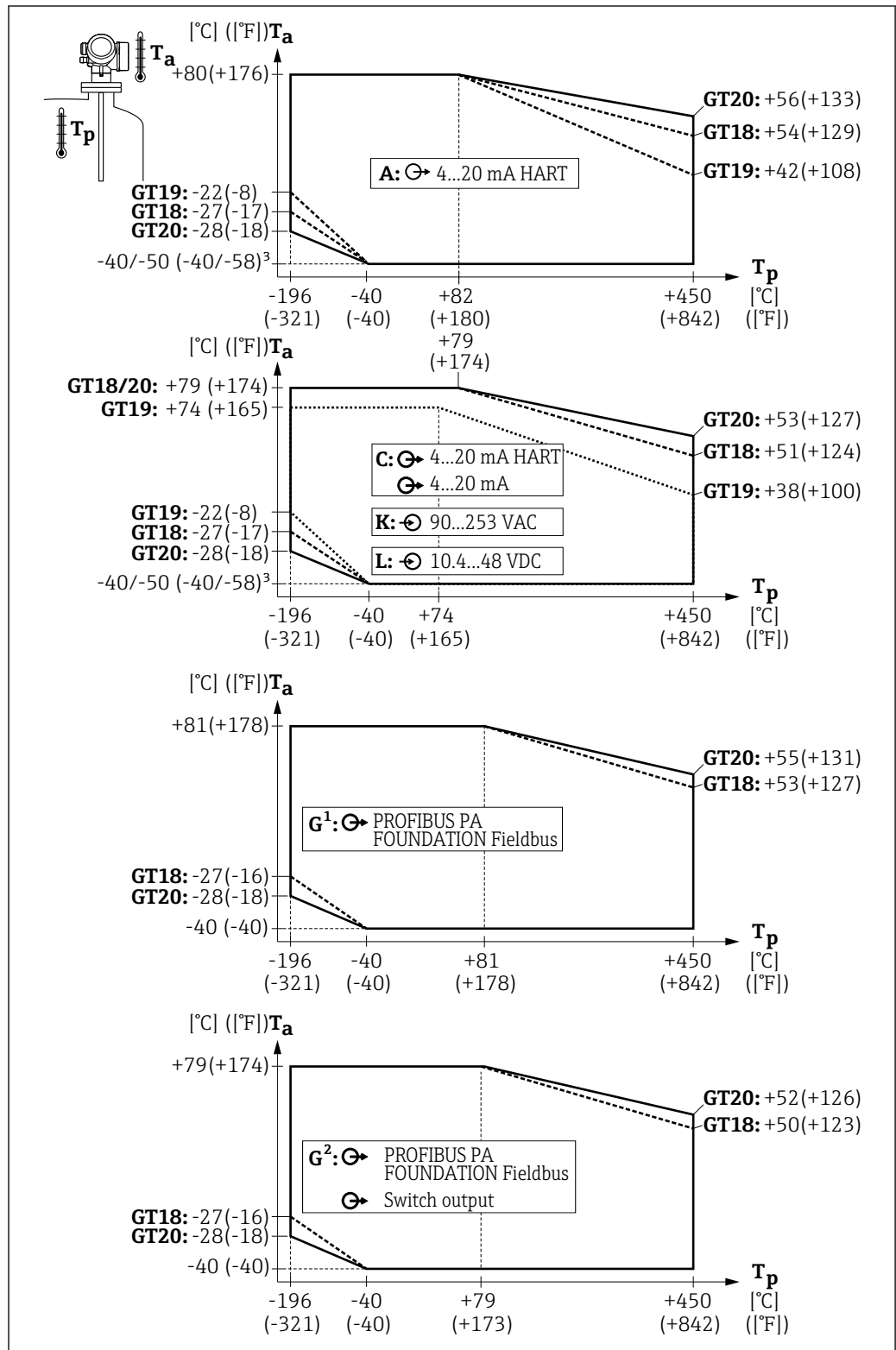
A = 1 current output
 C = 2 current outputs
 G¹, G² = PROFIBUS PA ^{1) 2)}
 K, L = 4-wire

T_a = Ambient temperature ³⁾
 T_p = Temperature at the process connection

- 1) G¹: Switch output not used
- 2) G²: Switch output used
- 3) T_a to -50 °C (-58 °F) for order code 580 "Test, certificate" = JN "Transmitter ambient temperature -50 °C (-58 °F)"; only available for 2-wire HART devices

A0013631

Temperature derating for FMP54 - version HT to +450 °C (+842 °F)





A0013632

GT18 = Stainless steel housing
 GT19 = Plastic housing
 GT20 = Aluminum housing

A = 1 current output
 C = 2 current outputs
 G¹, G² = PROFIBUS PA ^{1) 2)}
 K, L = 4-wire

T_a = Ambient temperature ³⁾
 T_p = Temperature at the process connection

- 1) G¹: Switch output not used
- 2) G²: Switch output used
- 3) T_a to -50 °C (-58 °F) for order code 580 "Test, certificate" = JN "Transmitter ambient temperature -50 °C (-58 °F)"; only available for 2-wire HART devices

Storage temperature	<ul style="list-style-type: none"> ■ Permitted storage temperature: -40 to +80 °C (-40 to +176 °F) ■ Use original packaging. ■ Option for FMP51 and FMP54: -50 to +80 °C (-58 to +176 °F) This range applies if the option JN "Transmitter ambient temperature -50 °C (-58 °F)" has been selected in order code 580 "Test, certificate". If the temperature is permanently below -40 °C (-40 °F), the chance of failure increases.
Climate class	DIN EN 60068-2-38 (test Z/AD)
Altitude according to IEC61010-1 Ed.3	<ul style="list-style-type: none"> ■ Generally up to 2 000 m (6 600 ft) above MSL. ■ Above 2 000 m (6 600 ft) if the following conditions are met: <ul style="list-style-type: none"> ■ Ordering feature 020 "Power supply; Output" = A, B, C, E or G (2-wire versions) ■ Supply voltage $U < 35\text{ V}$ ■ Supply voltage of overvoltage category 1
Degree of protection	<ul style="list-style-type: none"> ■ When housing is closed, tested according to: <ul style="list-style-type: none"> ■ IP68, NEMA6P (24 h at 1.83 m under water) (also applies for the "Remote sensor" version) ■ For plastic housing with see-through lid (display): IP68 (24 h at 1.00 m under water) This restriction applies if the following options have been selected simultaneously in the product structure: 030 ("Display/operation") = C ("SD02") or E ("SD03"); 040 ("Housing") = A ("GT19"). ■ IP66, NEMA4X ■ With housing open: IP20, NEMA1 ■ Display module: IP22, NEMA2 <p> Degree of protection IP68 NEMA6P only applies for M12 PROFIBUS PA plugs if the PROFIBUS cable is plugged in and is also rated IP68 NEMA6P.</p>
Vibration resistance	DIN EN 60068-2-64 / IEC 60068-2-64: 20 to 2 000 Hz, 1 (m/s ²) ² /Hz
Cleaning the probe	<p>Dirt or buildup may form on the probe depending on the application. A thin, even layer has little impact on the measurement. Thick layers can dampen the signal and then reduce the measuring range. Very uneven deposit formation, e.g. caking due to crystallization, can result in incorrect measurements. In such cases, we recommend the use of a non-contact measuring principle, or a regular inspection of the probe for contamination.</p>
Electromagnetic compatibility (EMC)	<p>Electromagnetic compatibility in accordance with all of the relevant requirements outlined in the EN 61326 series and NAMUR Recommendation EMC (NE 21). For details, refer to the Declaration of Conformity.</p> <p> Download at www.endress.com.</p> <p>Use a shielded cable for signal transmission.</p> <p>Maximum measured error during EMC testing: < 0.5 % of the span.</p> <p>When the probes are installed in metal and concrete vessels and when a coax probe is used:</p> <ul style="list-style-type: none"> ■ Interference emission according to EN 61326 - x series, Class B equipment. ■ Interference immunity according to EN 61326 - x series, requirements for industry and NAMUR Recommendation NE 21 (EMC) <p>When probes are installed without a shielding/metal wall, e.g. installation in plastic or wooden silos, the effect of strong electromagnetic fields can influence the measured value.</p> <ul style="list-style-type: none"> ■ Interference emission according to EN 61326 - x series, Class A equipment. ■ Interference immunity: the effect of strong electromagnetic fields can influence the measured value.




Process

Process temperature range

The maximum temperature permitted at the process connection is determined by the O-ring version ordered:

Device	O-ring material	Process temperature	Approval
FMP51	FKM (Viton GLT)	-30 to +150 °C (-22 to +302 °F)	FDA
		-40 to +150 °C (-40 to +302 °F) Only in conjunction with feature 610 "Accessory mounted", feature version NC "Gas-tight gland"	
	EPDM (70C4 pW FKN or E7515)	-40 to +120 °C (-40 to +248 °F)	FDA
	FFKM (Kalrez 6375) ¹⁾	-20 to +200 °C (-4 to +392 °F) ²⁾	
	FVMQ (FVMQ 70C79)	-50 to 130 °C (-58 to 260 °F)	
FMP52	–	-50 to +200 °C (-58 to +392 °F); fully coated	FDA, 3A, EHEDG, USP Cl. VI ³⁾
FMP54	Graphite	Version XT: -196 to +280 °C (-321 to +536 °F) ⁴⁾	
		Version HT: -196 to +450 °C (-321 to +842 °F)	

- 1) Recommended for water vapor applications.
- 2) Not recommended for saturated steam over 150 °C (302 °F). Use FMP54 instead.
- 3) Plastic components in contact with the medium have been tested in accordance with USP <88> Class VI-70°C
- 4) Not recommended for saturated steam over 200 °C (392 °F). Use the HT version instead.

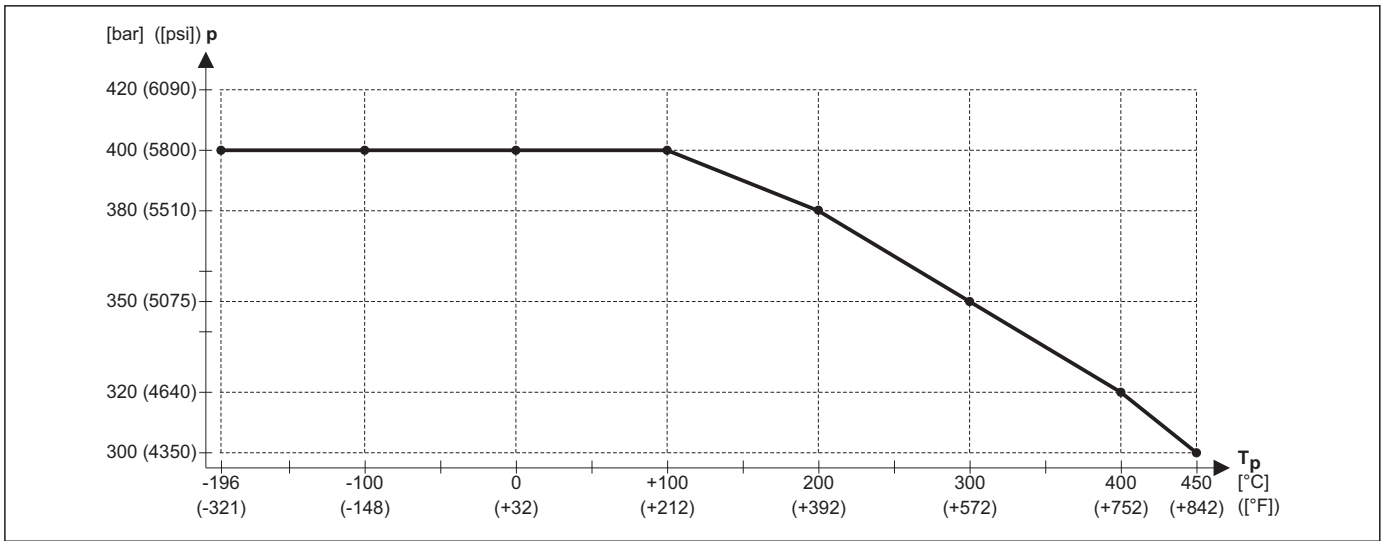
-  For FMP52: High process temperatures (> 150 °C (302 °F)) may favor the diffusion of the medium through the probe coating, which may reduce the operating time.
-  The sensor material 1.4404/316L is resistant to attack from intergranular corrosion according to AD 2000 - instruction sheet W2 at operating temperatures up to 400 °C (752 °F) and with an operating time of 100,000 hours (11.4 years). For higher temperatures, the suitability of the material must be checked by the operator. Acids, in particular, may cause corrosion.
-  With uncoated probes, the medium temperature may be higher provided that the process temperature specified in the table is not exceeded at the process connection.

When using rope probes, the stability of the probe rope is reduced by structural changes at temperatures above 350 °C (662 °F), however.

Process pressure range

Device	Process pressure
FMP51	-1 to 40 bar (-14.5 to 580 psi)
FMP52	-1 to 40 bar (-14.5 to 580 psi)
FMP54	-1 to 400 bar (-14.5 to 5800 psi)

FMP54 - permitted process pressure depending on the process temperature



A0014005

p = Permitted process pressure T_p = Process temperature



The range indicated can be reduced by the choice of process connection. The nominal pressure (PN) indicated on the nameplate refers to a reference temperature of 20 °C, and of 100 °F for ASME flanges. Observe pressure-temperature dependency.

Please refer to the following standards for the pressure values permitted at higher temperatures:

- EN 1092-1: 2007 Tab. G.4.1-x
With regard to their stability-temperature property, the materials 1.4435 and 1.4404 are grouped together under 13E0 in EN 1092-1: 2007 Tab. G.3.1-1. The chemical composition of the two materials can be identical.
- ASME B 16.5a - 2013 Tab. 2-2.2 F316
- ASME B 16.5a - 2013 Tab. 2.3.8 N10276
- JIS B 2220

Dielectric constant (DC)

- With coax probe: DC (ϵ_r) \geq 1.4
- Rod and rope probe: DC (ϵ_r) \geq 1.6 (when installing in pipes DN \leq 150 mm (6 in): DC (ϵ_r) \geq 1.4)

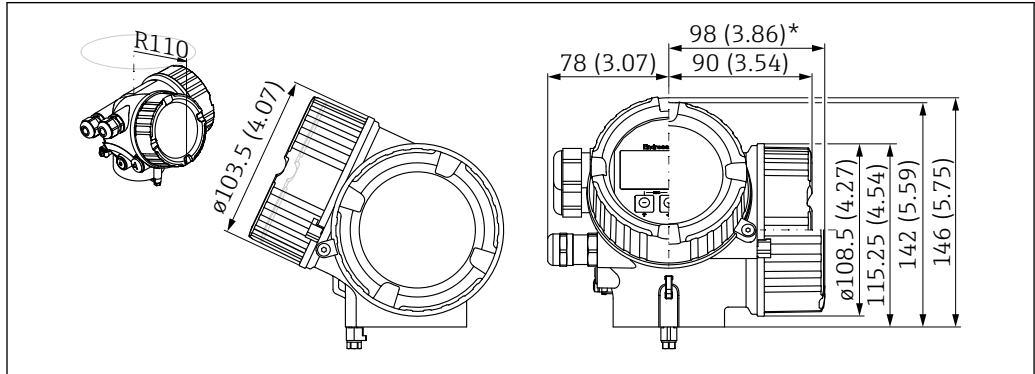
Extension of the rope probes due to temperature

Elongation from temperature increase from 30 °C (86 °F) to 150 °C (302 °F): 2 mm / m rope length

Mechanical construction

Dimensions

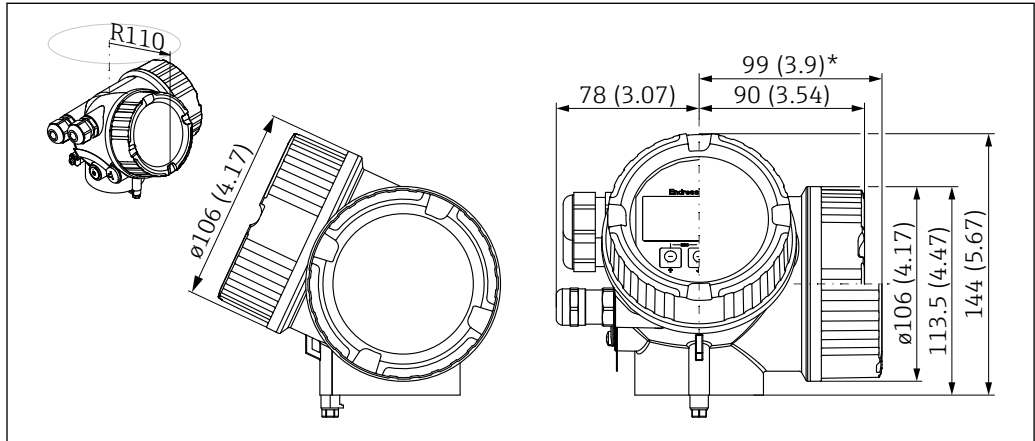
Dimensions of the electronics housing



A0011666

41 Housing GT18 (316L). Unit of measurement mm (in)

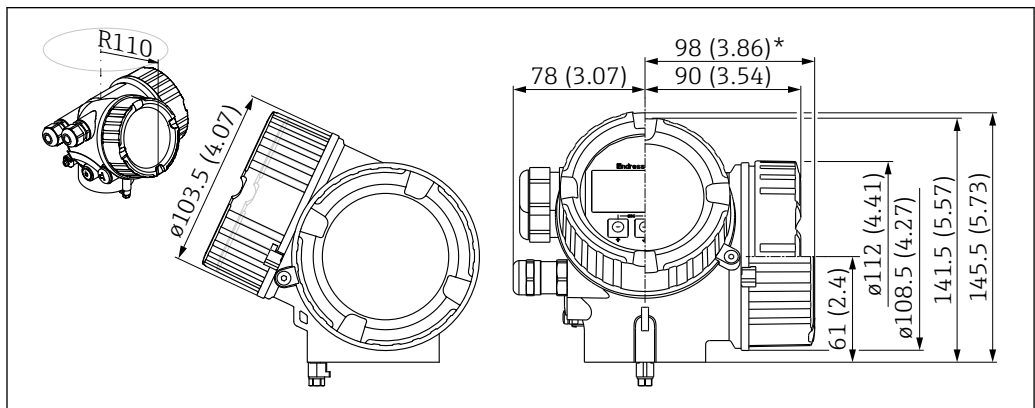
*For devices with integrated overvoltage protection.



A0011346

42 GT19 housing (plastic PBT). Unit of measurement mm (in)

*For devices with integrated overvoltage protection.

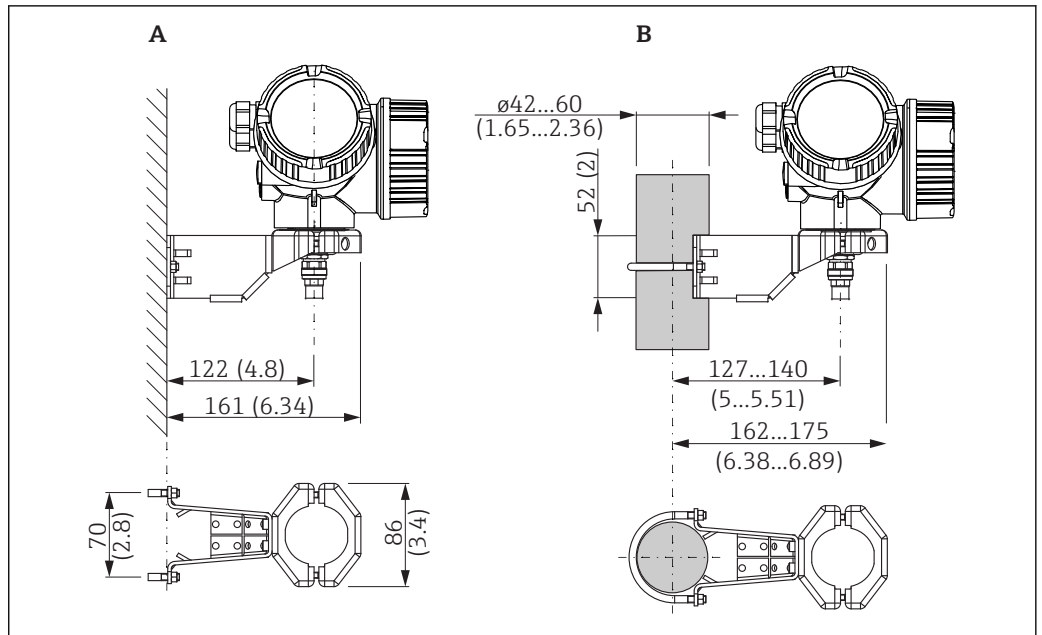


A0020751

43 Housing GT20 (aluminum coated). Unit of measurement mm (in)

*For devices with integrated overvoltage protection.

Mounting bracket dimensions



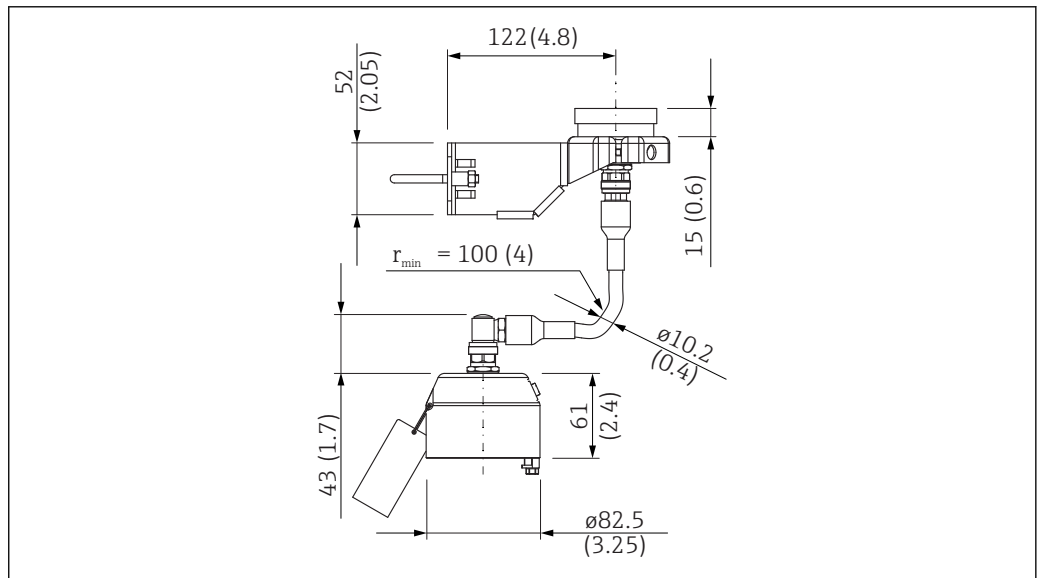
A0014793

44 Mounting bracket for electronics housing. Unit of measurement mm (in)

- A Wall mounting
- B Post mounting

i With "remote sensor" device versions (see feature 060 in the product structure), the mounting bracket is included in the scope of delivery. However, it can also be ordered separately as an accessory (order number: 71102216).

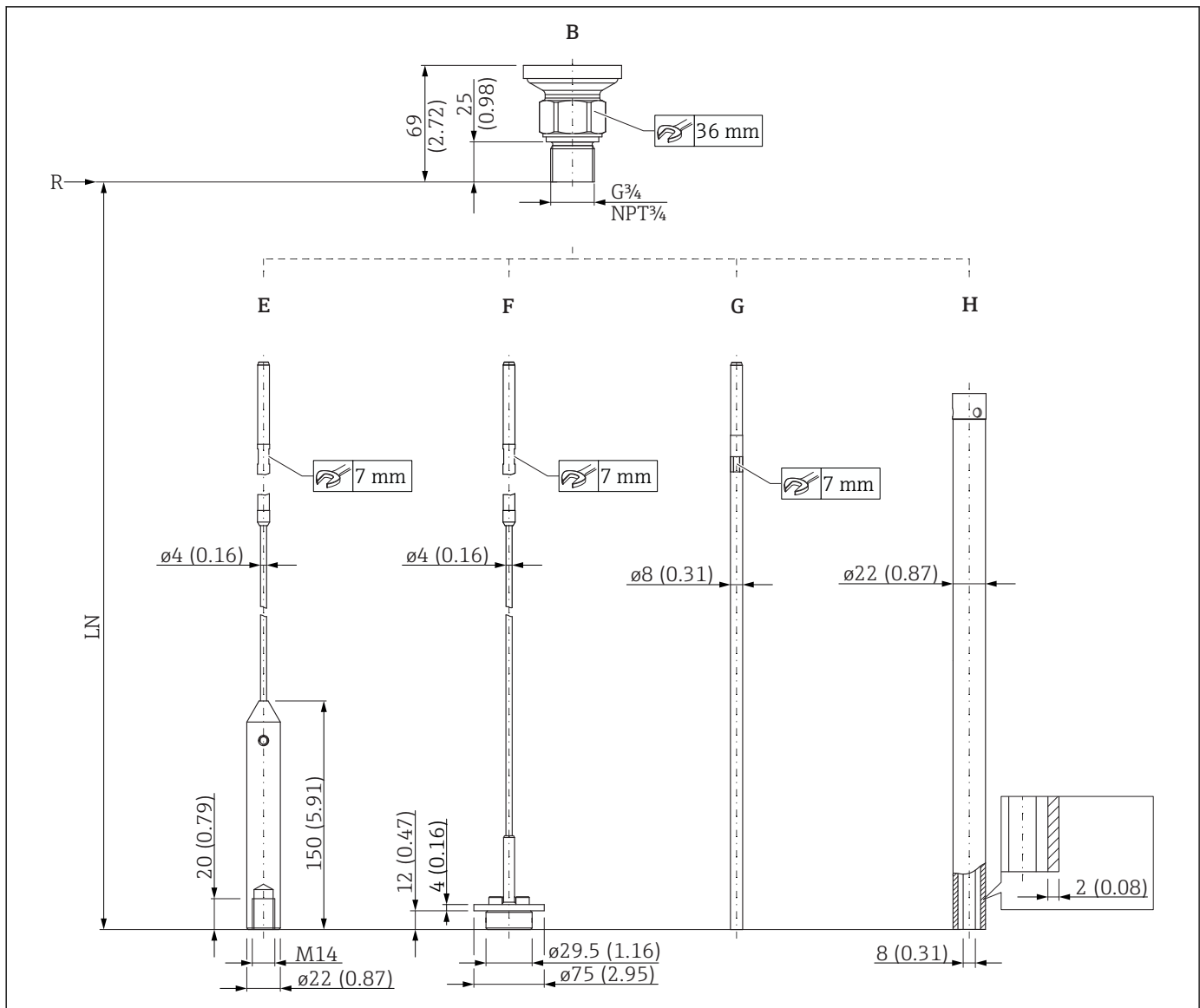
Dimensions of connection piece for remote probe



A0023856

45 Connection piece for remote probe; length of connecting cable: as per order. Unit of measurement mm (in)

FMP51: Dimensions of process connection (G^{3/4},NPT^{3/4})/probe



A0012645

46 FMP51: Process connection / probe. Unit of measurement mm (in)

B Thread ISO228 G^{3/4} or ANSI MNPT^{3/4} (feature 100)

E Rope probe 4mm or 1/6" (feature 060)

F Rope probe 4mm or 1/6"; centering disk optional (features 060 and 610)

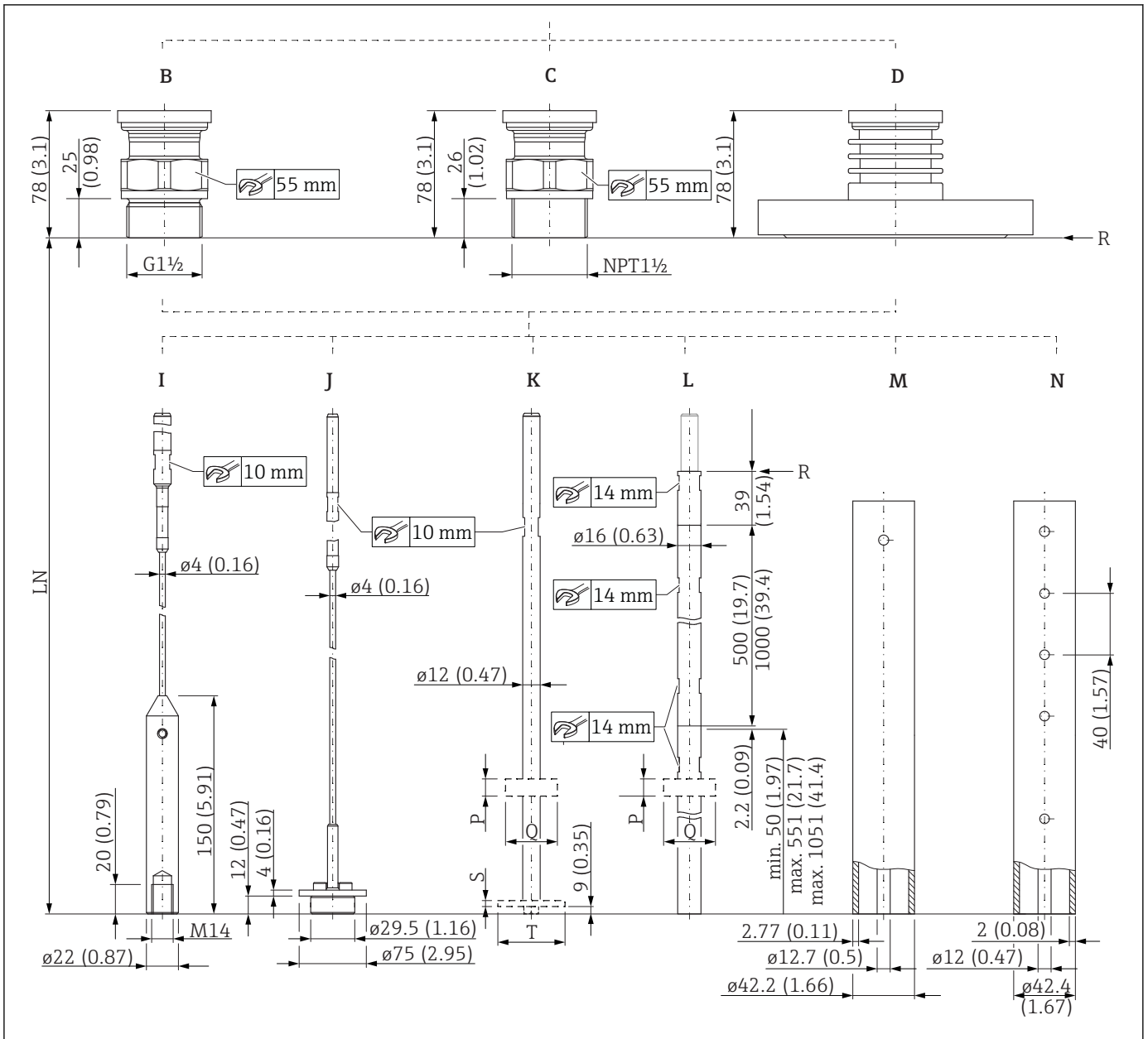
G Rod probe 8mm or 1/3" (feature 060)

H Coax probe (feature 060); with vent opening Ø approx. 6 mm (0.24 in)

LN Probe length

R Reference point of measurement

FMP51: Dimensions of process connection (G1½,NPT1½, flange)/probe



A0012756

47 FMP51: Process connection / probe. Unit of measurement mm (in)

- B Thread ISO228 G1-1/2 (feature 100)
- C Thread ANSI MNPT1-1/2 (feature 100)
- D Flange ANSI B16.5, EN1092-1, JIS B2220 (feature 100)
- I Rope probe 4mm or 1/6" (feature 060)
- J Rope probe 4mm or 1/6"; centering disk optional (features 060 and 610)
- K Rod probe 12mm or 1/2"; centering disk optional, see table below (features 060 and 610)
- L Rod probe 16mm or 0.63in, 500mm or 1000mm, separable; centering disk optional, see table below (features 060 and 610)
- M Coax probe; AlloyC (feature 060); with vent opening \varnothing approx. 8 mm (0.3 in)
- N Coax probe; 316L (feature 060); with vent openings \varnothing approx. 10 mm (0.4 in)
- LN Probe length
- P Thickness of centering star; for table of values, see below
- Q Diameter of centering star; for table of values, see below
- R Reference point of measurement
- S Thickness of centering disk or centering star; for table of values, see below
- T Diameter of centering disk or centering star; for table of values, see below

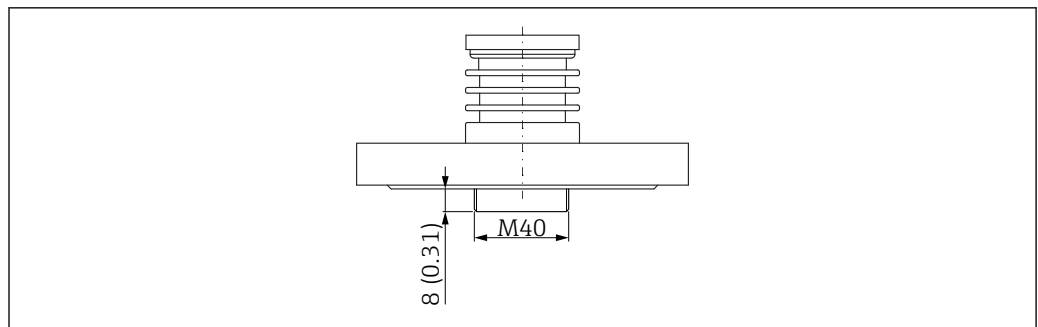
Centering disk / centering star / centering weight

Order code 610 "Accessory mounted"	Meaning	Thickness	Diameter
OA	Rod centering disk 316L; pipe diameter DN80/3" + DN100/4"	S = 4 mm (0.16 in)	T = 75 mm (2.95 in)
OB	Rod centering disk 316L; pipe diameter DN50/2" + DN65/2-1/2"	S = 4 mm (0.16 in)	T = 45 mm (1.77 in)
OC	Rope centering disk 316L; pipe diameter DN80/3" + DN100/4"	S = 4 mm (0.16 in)	T = 75 mm (2.95 in)
OD	Rod centering star PEEK; interface measurement; pipe diameter DN50/2" + DN100/4"	S = 7 mm (0.28 in)	T = 48 to 95 mm (1.9 to 3.7 in)
OE	Rod centering star PFA; interface measurement; pipe diameter DN40/1-1/2" + DN50/2"	P = 10 mm (0.39 in)	Q = 37 mm (1.46 in)
OK	Rope centering weight 316L for DN50/2"	60 mm (2.4 in)	45 mm (1.77 in)
OL	Rope centering weight 316L for DN80/3"	30 mm (1.18 in)	75 mm (2.95 in)
OM	Rope centering weight 316L for DN100/4"	30 mm (1.18 in)	95 mm (3.7 in)

Note on AlloyC flanges

AlloyC flanges always have an additional thread, even if they are not used with a coax probe.

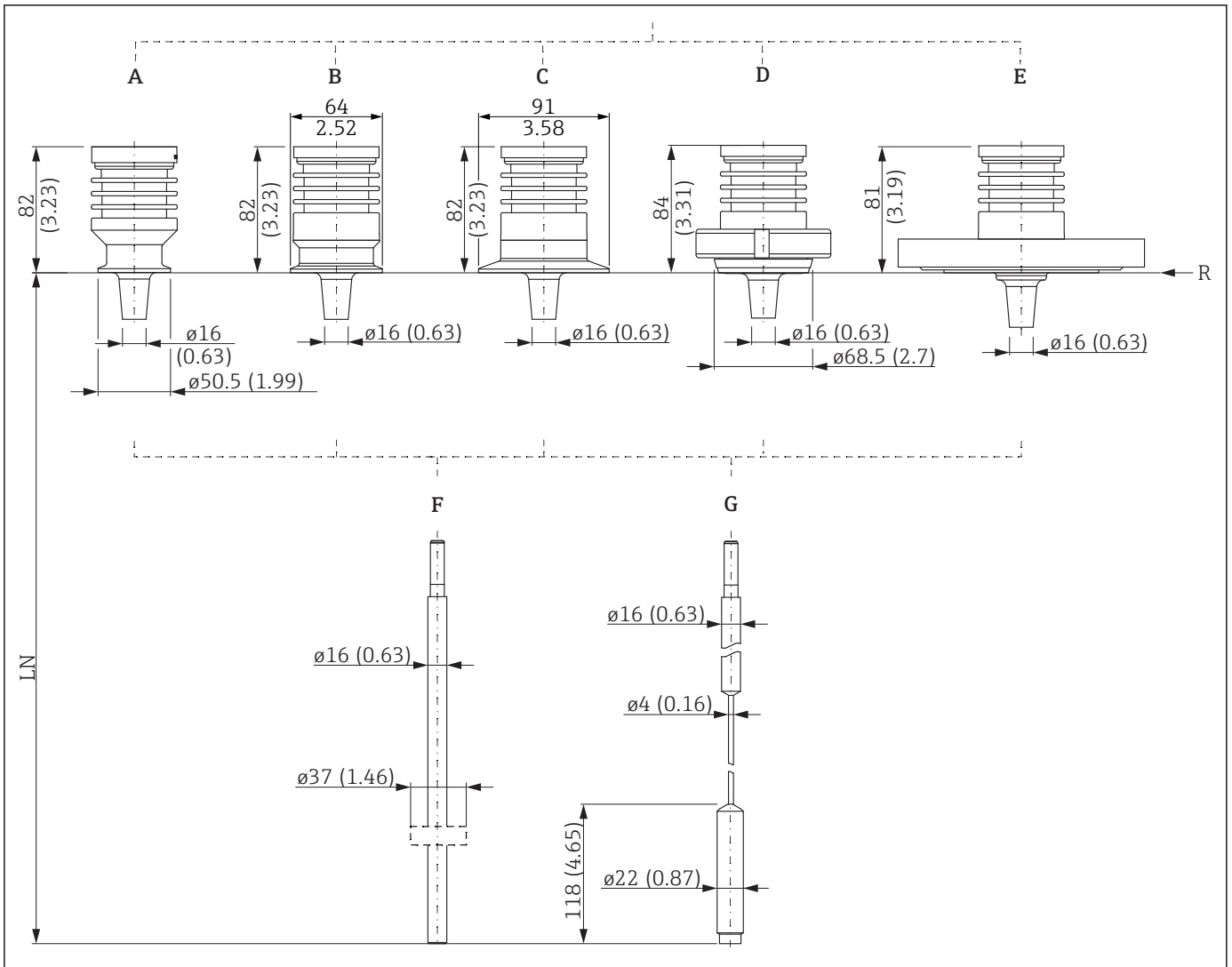
Options for order feature 100 for "Process connection" that are affected: AEM, AFM, AGM, AQM, ARM, ASM, ATM, CEM, CFM, CGM, CQM, CRM, CSM, CTM.



A0035223

48 Dimensions of AlloyC flanges. Unit of measurement mm (in)

FMP52: Dimensions of process connection/probe

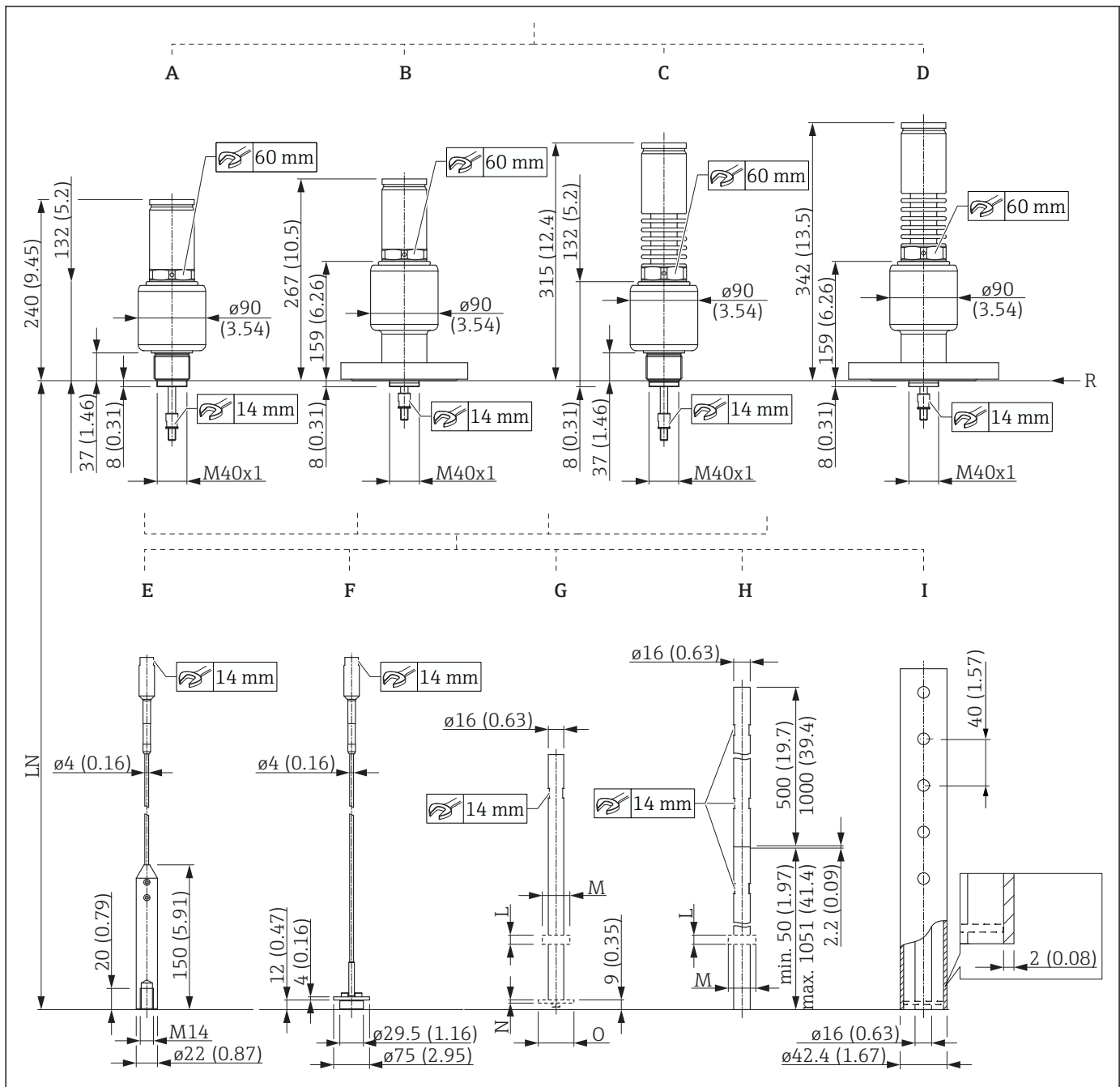


A0012757

49 FMP52: Process connection / probe. Unit of measurement mm (in)

- A Tri-clamp 1-1/2" (feature 100)
- B Tri-clamp 2" (feature 100)
- C Tri-clamp 3" (feature 100)
- D DIN11851 (dairy pipe) DN50 (feature 100)
- E Flange ANSI B16.5, EN1092-1, JIS B2220 (feature 100)
- F Rod probe 16mm or 0.63in, PFA>316L (feature 060); with optional centering star (feature 610)
- G Rope probe 4mm or 1/6", PFA>316 (feature 060)
- LN Probe length
- R Reference point of measurement

FMP54: Dimensions of process connection/probe



A0012778

50 FMP54: Process connection / probe. Unit of measurement mm (in)

- A Thread ISO228 G1-1/2 or ANSI MNPT1-1/2; XT 280 °C (features 100 and 090)
- B Flange ANSI B16.5, EN1092-1, JIS B2220; XT 280 °C (features 100 and 090)
- C Thread ISO228 G1-1/2 or ANSI MNPT1-1/2; HT 450 °C (features 100 and 090)
- D Flange ANSI B16.5, EN1092-1, JIS B2220; HT 450 °C (features 100 and 090)
- E Rope probe 4mm or 1/6" (feature 060)
- F Rope probe 4mm or 1/6"; centering disk optional (features 060 and 610)
- G Rod probe 16mm or 0.63in; centering disk optional, see table below (features 060 and 610)
- H Rod probe 16mm or 0.63in; 500mm or 1000mm, separable; centering disk optional, see table below (feature 060 and 610)
- I Coax probe (feature 060); with vent openings Ø approx. 10 mm (0.4 in); with centering disk for "Gas phase compensation" application package (order code 540, option EF or EG)
- LN Probe length
- L Thickness of centering star; for table of values, see below
- M Diameter of centering star; for table of values, see below

- N Thickness of centering disk or centering star; for table of values, see below
- O Diameter of centering disk or centering star; for table of values, see below
- R Reference point of measurement

Centering disk / centering star / centering weight

Order code 610 "Accessory mounted"	Meaning	Thickness	Diameter
OA	Rod centering disk 316L; pipe diameter DN80/3" + DN100/4"	N = 4 mm (0.16 in)	O = 75 mm (2.95 in)
OB	Rod centering disk 316L; pipe diameter DN50/2" + DN65/2-1/2"	N = 4 mm (0.16 in)	O = 45 mm (1.77 in)
OC	Rope centering disk 316L; pipe diameter DN80/3" + DN100/4"	N = 4 mm (0.16 in)	O = 75 mm (2.95 in)
OD	Rod centering star PEEK; interface measurement; pipe diameter DN50/2" + DN100/4"	N = 7 mm (0.28 in)	O = 48 to 95 mm (1.9 to 3.7 in)
OE	Rod centering star PFA; interface measurement; pipe diameter DN40/1-1/2" + DN50/2"	L = 10 mm (0.39 in)	M = 37 mm (1.46 in)
OK	Rope centering weight 316L for DN50/2"	60 mm (2.4 in)	45 mm (1.77 in)
OL	Rope centering weight 316L for DN80/3"	30 mm (1.18 in)	75 mm (2.95 in)
OM	Rope centering weight 316L for DN100/4"	30 mm (1.18 in)	95 mm (3.7 in)

Probe length tolerances**Rod and coax probes**

Permitted tolerance depending on the probe length:

- < 1 m (3.3 ft) = -5 mm (-0.2 in)
- 1 to 3 m (3.3 to 9.8 ft) = -10 mm (-0.39 in)
- 3 to 6 m (9.8 to 20 ft) = -20 mm (-0.79 in)
- > 6 m (20 ft) = -30 mm (-1.18 in)

Rope probes

Permitted tolerance depending on the probe length:

- < 1 m (3.3 ft) = -10 mm (-0.39 in)
- 1 to 3 m (3.3 to 9.8 ft) = -20 mm (-0.79 in)
- 3 to 6 m (9.8 to 20 ft) = -30 mm (-1.18 in)
- > 6 m (20 ft) = -40 mm (-1.57 in)

Surface roughness of AlloyC coated flanges

Ra = 3.2 µm (126 µin); reduced surface roughness available on request.

This value applies to flanges with "AlloyC>316/316L"; see product structure, feature 100 "Process connection". For other flanges, the surface roughness corresponds to the relevant flange standard.

Shortening probes

If necessary, probes can be shortened by observing the following instructions:

Shortening rod probes

Rod probes must be shortened if the distance to the vessel base or outlet cone is less than 10 mm (0.4 in). To shorten, saw off the bottom end of the rod probe.



It is **not** possible to shorten FMP52 rod probes due to their coating.

Shortening rope probes

Rope probes must be shortened if the distance to the vessel base or outlet cone is less than 150 mm (6 in).



It is **not** possible to shorten FMP52 rope probes due to their coating.

Shortening coax probes

Coax probes must be shortened if the distance to the vessel base or outlet cone is less than 10 mm (0.4 in).



Coax probes can be shortened by a maximum of 80 mm (3.2 in) from the bottom. They have centering devices on the inside to secure the rod centrally in the pipe. A raised edge holds the centering devices in place on the rod. It is possible to shorten the probe up to approx. 10 mm (0.4 in) below the centering device.

Weight

Housing

Part	Weight
GT18 housing - stainless steel	Approx. 4.5 kg
GT19 housing - plastic	Approx. 1.2 kg
GT20 housing - aluminum	Approx. 1.9 kg

FMP51 with threaded connection G $\frac{3}{4}$ or NPT $\frac{3}{4}$

Part	Weight	Part	Weight
Sensor	Approx. 0.8 kg	Rod probe 8 mm	Approx. 0.4 kg/m probe length
Rope probe 4 mm	Approx. 0.1 kg/m probe length	Coax probe	Approx. 1.2 kg/m probe length

FMP51 with threaded connection G1 $\frac{1}{2}$ /NPT1 $\frac{1}{2}$ or flange

Part	Weight	Part	Weight
Sensor	Approx. 1.2 kg + weight of flange	Rod probe 16 mm	Approx. 1.1 kg/m probe length
Rope probe 4 mm	Approx. 0.1 kg/m probe length	Coax probe	Approx. 3.0 kg/m probe length
Rod probe 12 mm	Approx. 0.9 kg/m probe length		

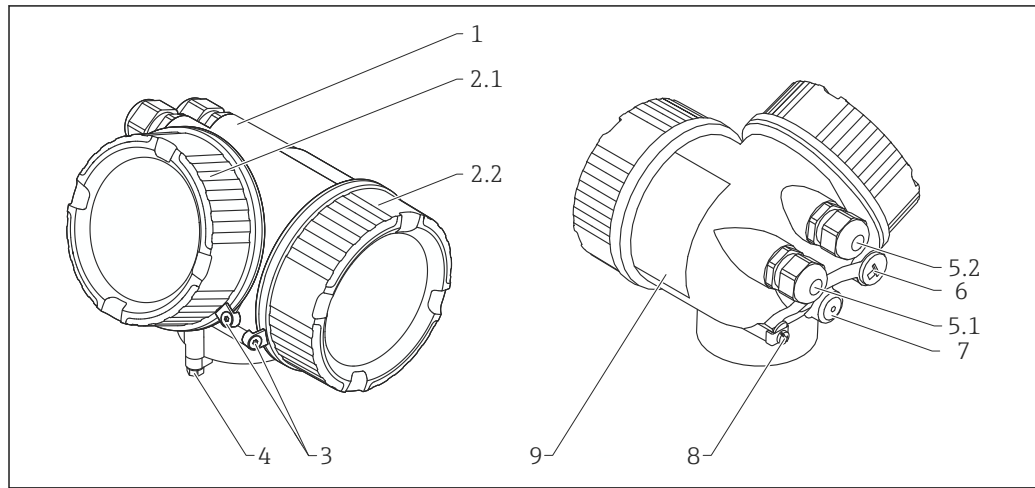
FMP52

Part	Weight	Part	Weight
Sensor	Approx. 1.2 kg + weight of flange	Rope probe 4 mm	Approx. 0.5 kg/m probe length
		Rod probe 16 mm	Approx. 1.1 kg/m probe length

FMP54

Part	Weight	Part	Weight
Sensor - version XT	Approx. 6.7 kg + weight of flange	Rope probe 4 mm	Approx. 0.1 kg/m probe length
Sensor - version HT	Approx. 7.7 kg + weight of flange	Rod probe 16 mm	Approx. 1.6 kg/m probe length
		Coax probe	Approx. 3.5 kg/m probe length

**Materials: Housing GT18
(stainless steel, corrosion-resistant)**



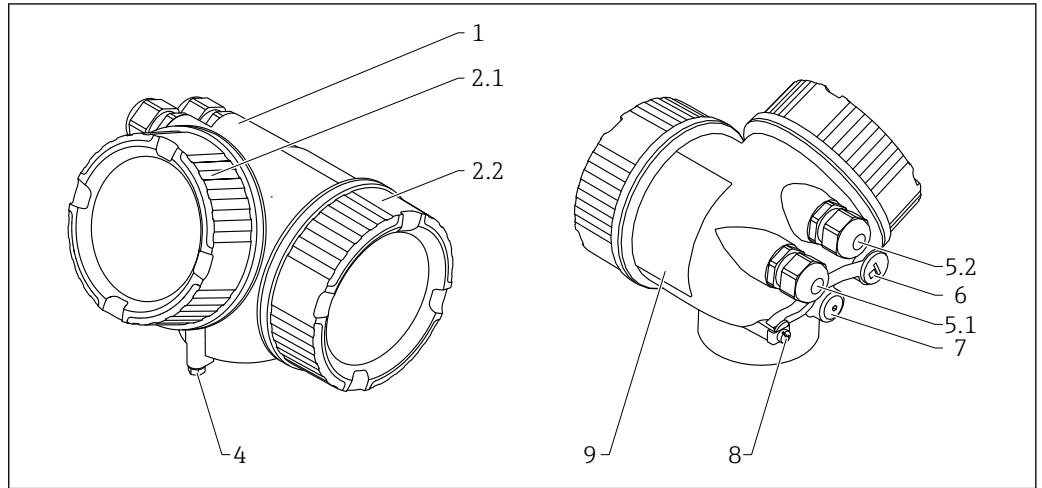
A0036037

No.	Component part	Material
1	Housing	CF3M similar to 316L/1.4404
2.1	Electronics compartment cover	<ul style="list-style-type: none"> ■ Cover: CF3M (similar to 316L/ 1.4404) ■ Window: glass ■ Cover seal: NBR ■ Window seal: NBR ■ Thread coating: graphite-based lubricant varnish
2.2	Connection compartment cover	<ul style="list-style-type: none"> ■ Cover: CF3M (similar to 316L/ 1.4404) ■ Cover seal: NBR ■ Thread coating: graphite-based lubricant varnish
3	Cover clamp	<ul style="list-style-type: none"> ■ Screw: A4 ■ Clamp: 316L (1.4404)
4	Safety device on housing neck	<ul style="list-style-type: none"> ■ Screw: A4-70 ■ Clamp: 316L (1.4404)
5.1	Dummy plug, coupling, adapter or connector (depending on device version)	<ul style="list-style-type: none"> ■ Dummy plug, depending on device version: <ul style="list-style-type: none"> ■ PE ■ PBT-GF ■ Coupling: 316L (1.4404) or brass, nickel-plated ■ Adapter: 316L (1.4404/1.4435) ■ Seal: EPDM ■ Connector M12: brass, nickel-plated ¹⁾ ■ Connector 7/8": 316 (1.4401) ²⁾
5.2	Dummy plug, coupling or adapter (depending on device version)	<ul style="list-style-type: none"> ■ Dummy plug: 316L (1.4404) ■ Coupling: 316L (1.4404) or brass, nickel-plated ■ Adapter: 316L (1.4404/1.4435) ■ Seal: EPDM
6	Dummy plug or M12 socket (depending on device version)	<ul style="list-style-type: none"> ■ Dummy plug: 316L (1.4404) ■ M12 socket: 316L (1.4404)
7	Pressure compensation vent	316L (1.4404)
8	Ground terminal	<ul style="list-style-type: none"> ■ Screw: A4 ■ Spring washer: A4 ■ Clamp: 316L (1.4404) ■ Bracket: 316L (1.4404)
9	Nameplate	<ul style="list-style-type: none"> ■ Plate: 316L (1.4404) ■ Groove pin: A4 (1.4571)

1) In the version with M12 connector, the seal material is Viton.

2) In the version with 7/8" connector, the seal material is NBR.

Materials: GT19 housing (plastic)

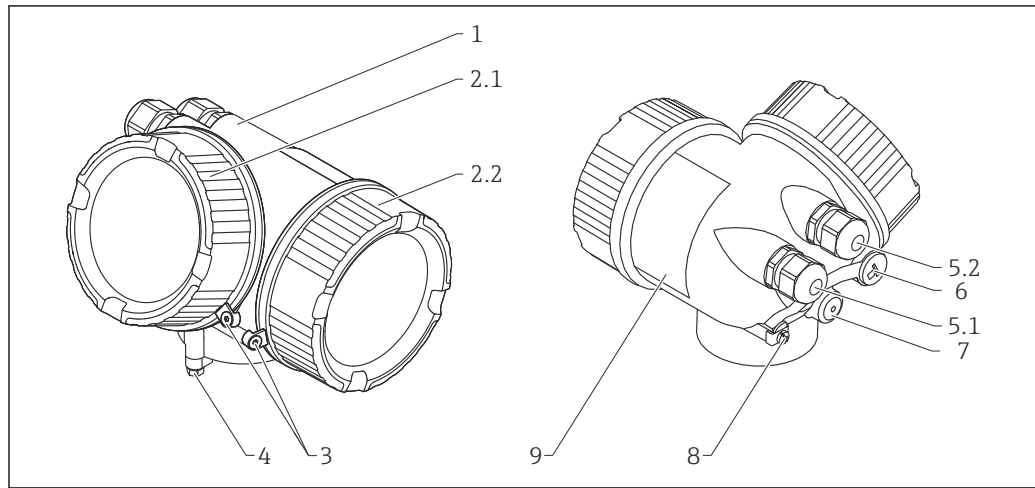


A0013788

No.	Component part	Material
1	Housing	PBT
2.1	Electronics compartment cover	<ul style="list-style-type: none"> ▪ Sight glass: PC ▪ Rim: PBT-PC ▪ Cover seal: EPDM ▪ Thread coating: graphite-based lubricant varnish
2.2	Connection compartment cover	<ul style="list-style-type: none"> ▪ Cover: PBT ▪ Cover seal: EPDM ▪ Thread coating: graphite-based lubricant varnish
4	Safety device on housing neck	<ul style="list-style-type: none"> ▪ Screw: A4-70 ▪ Clamp: 316L (1.4404)
5.1	Dummy plug, coupling, adapter or connector (depending on device version)	<ul style="list-style-type: none"> ▪ Dummy plug, depending on device version: <ul style="list-style-type: none"> ▪ PE ▪ PBT-GF ▪ Coupling, depending on device version: <ul style="list-style-type: none"> ▪ Brass (CuZn), nickel-plated ▪ PA ▪ Adapter: 316L (1.4404/1.4435) ▪ Seal: EPDM ▪ Connector M12: brass, nickel-plated ¹⁾ ▪ Connector 7/8": 316 (1.4401) ²⁾
5.2	Dummy plug, coupling or adapter (depending on device version)	<ul style="list-style-type: none"> ▪ Dummy plug, depending on device version: <ul style="list-style-type: none"> ▪ PE ▪ PBT-GF ▪ Steel, galvanized ▪ Coupling, depending on device version: <ul style="list-style-type: none"> ▪ Brass (CuZn), nickel-plated ▪ PA ▪ Adapter: 316L (1.4404/1.4435) ▪ Seal: EPDM
6	Dummy plug or M12 socket (depending on device version)	<ul style="list-style-type: none"> ▪ Dummy plug: brass (CuZn), nickel-plated ▪ M12 socket: GD-Zn, nickel-plated
7	Pressure compensation vent	Brass (CuZn), nickel-plated
8	Ground terminal	<ul style="list-style-type: none"> ▪ Screw: A2 ▪ Spring washer: A4 ▪ Clamp: 304 (1.4301) ▪ Bracket: 304 (1.4301)
9	Adhesive nameplate	Plastic

1) In the version with M12 connector, the seal material is Viton.
 2) In the version with 7/8" connector, the seal material is NBR.

Materials: GT20 housing
(die-cast aluminum, powder-coated)



A0036037

No.	Component part	Material
1	Housing, RAL 5012 (blue)	<ul style="list-style-type: none"> ■ Housing: AlSi10Mg(<0.1% Cu) ■ Coating: polyester
2.1	Electronics compartment cover, RAL 7035 (gray)	<ul style="list-style-type: none"> ■ Cover: AlSi10Mg(<0.1% Cu) ■ Window: glass ■ Cover seal: NBR ■ Window seal: NBR ■ Thread coating: graphite-based lubricant varnish
2.2	Connection compartment cover, RAL 7035 (gray)	<ul style="list-style-type: none"> ■ Cover: AlSi10Mg(<0.1% Cu) ■ Cover seal: NBR ■ Thread coating: graphite-based lubricant varnish
3	Cover clamp	<ul style="list-style-type: none"> ■ Screw: A4 ■ Clamp: 316L (1.4404)
4	Safety device on housing neck	<ul style="list-style-type: none"> ■ Screw: A4-70 ■ Clamp: 316L (1.4404)
5.1	Dummy plug, coupling, adapter or connector (depending on device version)	<ul style="list-style-type: none"> ■ Dummy plug, depending on device version: <ul style="list-style-type: none"> ■ PE ■ PBT-GF ■ Coupling, depending on device version: <ul style="list-style-type: none"> ■ Brass (CuZn), nickel-plated ■ PA ■ Adapter: 316L (1.4404/1.4435) ■ Seal: EPDM ■ M12 plug: brass, nickel-plated ¹⁾ ■ 7/8" plug: 316 (1.4401) ²⁾
5.2	Dummy plug, coupling or adapter (depending on device version)	<ul style="list-style-type: none"> ■ Dummy plug, depending on device version: <ul style="list-style-type: none"> ■ PE ■ PBT-GF ■ Steel, galvanized ■ Coupling, depending on device version: <ul style="list-style-type: none"> ■ Brass (CuZn), nickel-plated ■ PA ■ Adapter: 316L (1.4404/1.4435) ■ Seal: EPDM
6	Dummy plug or M12 socket (depending on device version)	<ul style="list-style-type: none"> ■ Dummy plug: brass (CuZn), nickel-plated ■ M12 socket: GD-Zn, nickel-plated
7	Pressure compensation vent	Brass (CuZn), nickel-plated

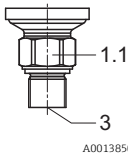
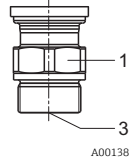
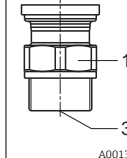
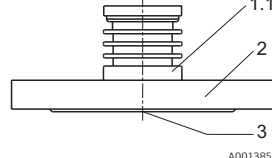
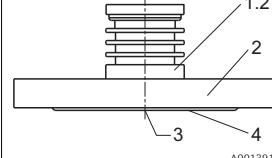
No.	Component part	Material
8	Ground terminal	<ul style="list-style-type: none"> ■ Screw: A2 ■ Spring washer: A2 ■ Clamp: 304 (1.4301) ■ Bracket: 304 (1.4301)
9	Adhesive nameplate	Plastic

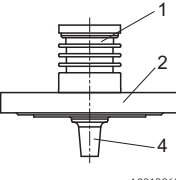
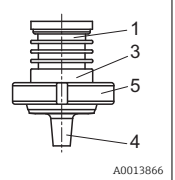
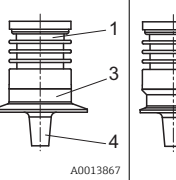
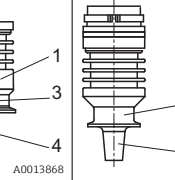
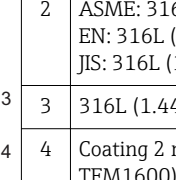
- 1) In the version with the M12 plug, the seal material is Viton (different from standard).
- 2) In the version with the 7/8" plug, the seal material is NBR (different from standard).

Materials: Process connection

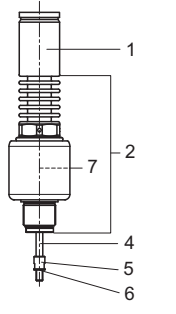
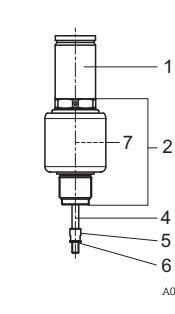
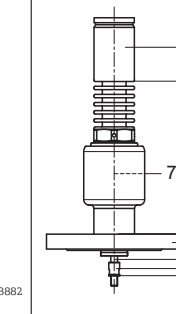
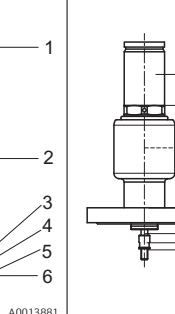



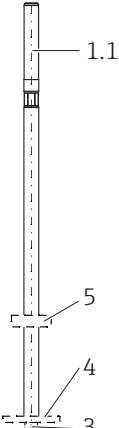
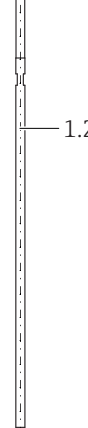
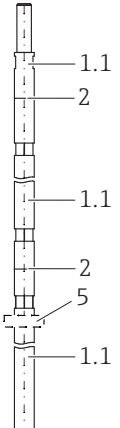
Endress+Hauser supplies DIN/EN flanges and process connections with threaded connection in stainless steel as per AISI 316L (DIN/ EN material number 1.4404 or 14435). With regard to their stability-temperature property, the materials 1.4404 and 1.4435 are grouped together under 13E0 in EN 1092-1: 2007 Tab. G.3.1-1. The chemical composition of the two materials can be identical.

Levelflex FMP51					No.	Material
Threaded connection			Flange			
<i>G</i> ¾, <i>NPT</i> ¾	<i>G</i> 1½	<i>NPT</i> 1½	<i>DN</i> 40 to <i>DN</i> 200	<i>DN</i> 40 to <i>DN</i> 100		
					1.1	316L (1.4404)
					1.2	Alloy C22 (2.4602)
					2	ASME: 316/316L EN: 316L (1.4404) JIS: 316L (1.4435)
					3	Ceramic Al ₂ O ₃ 99.7 %
					4	Cladding: Alloy C22 (2.4602)

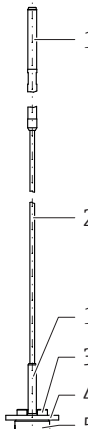
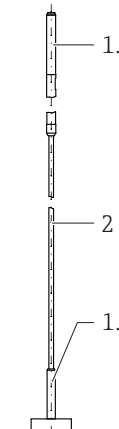
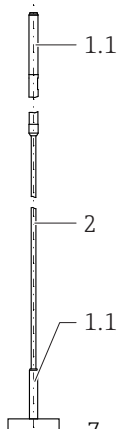
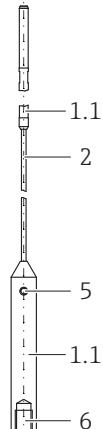
Levelflex FMP52							
Flange <i>EN/ASME/JIS</i>	Dairy coupling <i>DN</i> 50 (<i>DIN</i> 11851)	Tri-Clamp			No.	Material	Approval
		3"	2"	1½"			
					1	316L (1.4404)	
					2	ASME: 316/316L EN: 316L (1.4404) JIS: 316L (1.4435)	
					3	316L (1.4404)	
					4	Coating 2 mm (0.08 in): PTFE (Dyneon TFM1600)	USP Cl.VI ¹⁾
					5	304L (1.4307)	

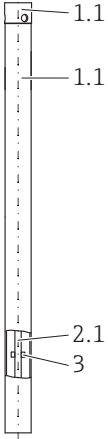
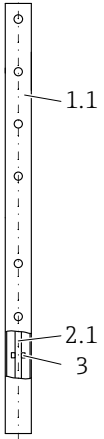
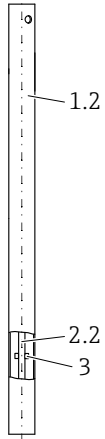
1) Plastic components in contact with the medium have been tested in accordance with USP <88> Class VI-70°C

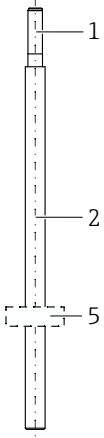
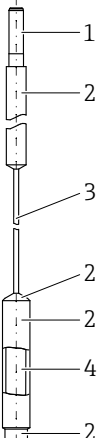
Levelflex FMP54					
Threaded connection <i>G</i> 1½, <i>NPT</i> 1½		Flange		No.	Material
<i>Version</i> HT	<i>Version</i> XT	<i>Version</i> HT	<i>Version</i> XT		
				1	316L (1.4404)
				2	316L (1.4404)
				3	ASME: 316/316L EN: 316L (1.4404) JIS: 316L (1.4435)
				4	Alloy C22 (2.4602)
				5	316L (1.4404)
				6	Nord Lock washer: 1.4547
				7	Ceramic Al ₂ O ₃ 99.7 %, pure graphite

Levelflex FMP51: rod probes					
Feature 060 "Probe"				No.	Material
<ul style="list-style-type: none"> AA: 8mm 316L AB: 1/3" 316L 	<ul style="list-style-type: none"> AC: 12mm 316L AD: 1/2" 316L 	<ul style="list-style-type: none"> AL: 12mm AlloyC AM: 1/2" AlloyC 	<ul style="list-style-type: none"> BA: 16mm 316L 500mm separable BB: 0.63in 316L 20inch separable BC: 16mm 316L 1000mm separable BD: 0.63in 316L 40inch separable 		
				1.1	316L (1.4404)
				1.2	Alloy C22 (2.4602)
				2	Connecting bolts: Alloy C22 (2.4602) Nord Lock washer: 1.4547
				3	Hexagonal-headed bolt: A4-70 Nord Lock washer: 1.4547
				4	Centering star, PEEK ¹⁾ Centering disk, 316L (1.4404) ²⁾
				5	Centering star, PFA ³⁾

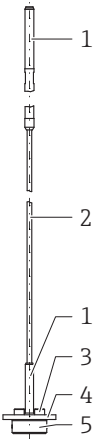
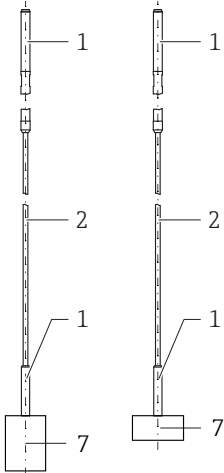
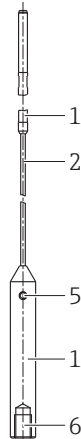
- 1) Feature 610 "Accessory mounted" = OD "Rod centering star d=48-95mm, PEEK"
- 2) Feature 610 "Accessory mounted" = OA "Rod centering disk d=75mm" or OB "Rod centering disk d=45mm"
- 3) Feature 610 "Accessory mounted" = OE "Rod centering star d=37mm, PFA"

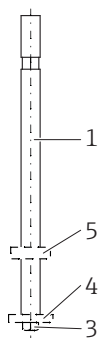
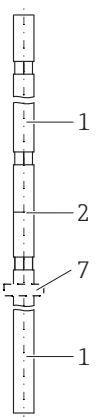
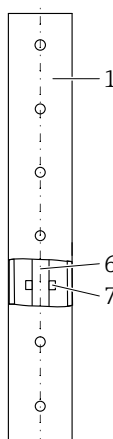
Levelflex FMP51: rope probes					
Feature 060 "Probe"				No.	Material
<ul style="list-style-type: none"> LA: 4mm, 316L, max. 150mm nozzle LB: 1/6", 316L, max. 6in nozzle MB: 4mm, 316L, max. 300mm nozzle MD: 1/6", 316L, max. 12in nozzle 	Feature 610 "Accessory mounted"		without option OC		
OC: Centering disk d=75mm	<ul style="list-style-type: none"> OK: Centering weight d=45mm OL: Centering weight d=75mm OM: Centering weight d=95mm 				
				1.1	316L (1.4404)
				1.2	Alloy C22 (2.4602)
				2	316 (1.4401)
				3	Cylinder screw: A4-80
				4	Disk: 316L (1.4404)
				5	Setscrew: A4-70
				6	Bracing screw: A2-70
				7	Weight: 316L (1.4404)

Levelflex FMP51: coax probes				
Feature 060 "Probe"		No.	Material	
<ul style="list-style-type: none"> UA: ...mm, coax 316L UB: ...inch, coax 316L 	<ul style="list-style-type: none"> UC: ...mm, coax AlloyC UD: ...inch, coax AlloyC 			
Feature 100 "Process connection"				
<ul style="list-style-type: none"> GDJ: thread ISO228 G3/4 RDJ: thread ANSI MNPT3/4 	all other options			
 <p>A0036590</p>	 <p>A0036591</p>	 <p>A0036592</p>	1.1	316L (1.4404)
			1.2	Alloy C22 (2.4602)
			2.1	Rod: 316L (1.4404)
			2.2	Alloy C22 (2.4602)
			3	Spacer: PFA

Levelflex FMP52			
Feature 060 "Probe"		No.	Material
<ul style="list-style-type: none"> CA: rod 16mm CB: rod 0.63in 	<ul style="list-style-type: none"> OA: rope 4mm, max. 150mm nozzle OB: rope 4mm, max. 300mm nozzle OC: rope 1/6", max. 6in nozzle OD: rope 1/6", max. 12in nozzle 		
 <p>A0013870</p>	 <p>A0036593</p>	1	316L (1.4404)
		2	Coating 2 mm (0.08 in): PFA
		3	Rope: 316 (1.4401)
			Coating 0.75 mm (0.03 in): PFA
		4	Core: 316L (1.4435)
	5	Centering star, PFA ¹⁾	

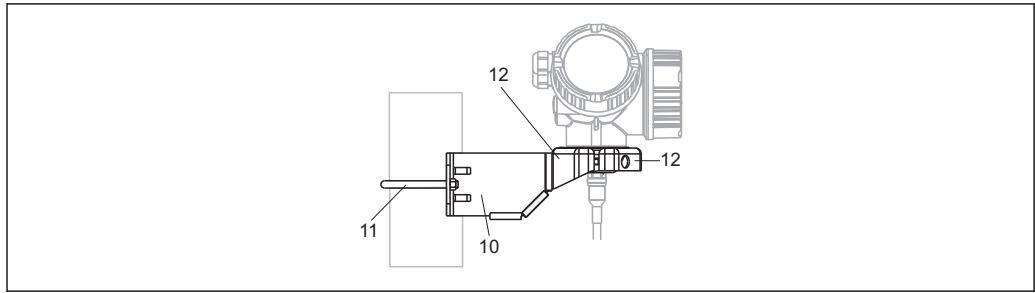
1) Feature 610 "Accessory mounted" = OE "Rod centering star d=37mm, PFA, interface measurement"

Levelflex FMP54: rope probes			No.	Material
Feature 060 "Probe" ■ LA: rope 4mm ■ LB: rope 0.63in				
Feature 610 "Accessory mounted" ■ OK: Centering weight d=45mm ■ OL: Centering weight d=75mm ■ OM: Centering weight d=95mm				
OC: Centering disk d=75mm	without option OC			
 A0036594	 A0039227	 A0036595	1 2 3 4 5 6 7	316L (1.4404) 316 (1.4401) Cylinder screw: A4-80 Disk: 316L (1.4404) Setscrew: A4-70 Bracing screw: A2-70 Weight: 316L (1.4404)

Levelflex FMP54: rod and coax probes				
Feature 060 "Probe" ■ AE: rod 16mm ■ AF: rod 0.63in ■ BA: rod 16mm, 500mm separable ■ BB: rod 0.63in, 20inch separable ■ BC: rod 16mm, 1000mm separable ■ BD: rod 0.63in, 40inch separable ■ UA: ... mm, coax ■ UB: ... inch, coax			No.	Material
 A0036596	 A0036597	 A0036598	1 2 3 4 5 6 7	316L (1.4404) ¹⁾ Connecting bolts: Alloy C22 (2.4602) Nord Lock washer: 1.4547 Hexagonal-headed bolt: A4-70 Nord Lock washer: 1.4547 Centering star, PEEK ²⁾ Centering disk, 316L (1.4404) ³⁾ Centering disk, PFA ⁴⁾ Rod: 316L (1.4404) Spacer: ceramic Al ₂ O ₃ 99.7 %

- 1) In the version with gas phase compensation, is also the material of the reference rod.
- 2) Feature 610 "Accessory mounted" = OD "Rod centering star d=48-95mm, PEEK"
- 3) Feature 610 "Accessory mounted" = OA "Rod centering disk d=75mm" or OB "Rod centering disk d=45mm"
- 4) Feature 610 "Accessory mounted" = OE "Rod, centering star d=37mm, PFA, interface measurement"

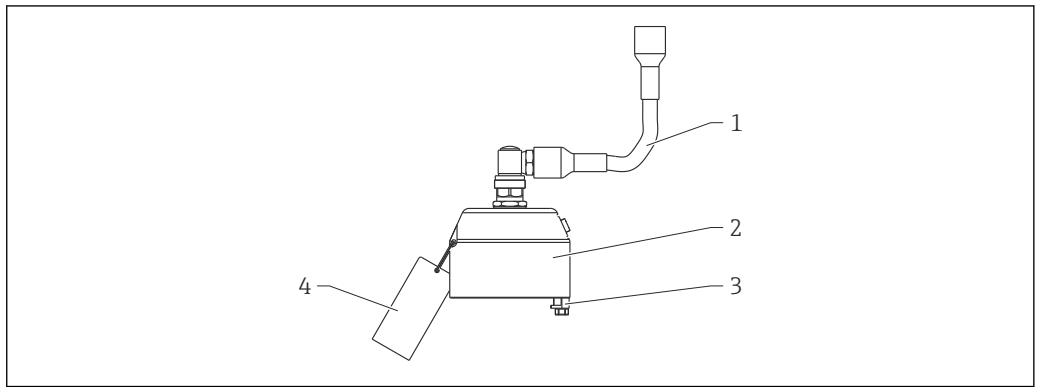
Materials: Mounting bracket



A0015143

Mounting bracket for "remote sensor" version		
No.	Component part	Material
10	Holder	316L (1.4404)
11	Round bracket	316Ti (1.4571)
	Screws/nuts	A4-70
	Distance sleeves	316Ti (1.4571) or 316L (1.4404)
12	Half-shells	316L (1.4404)

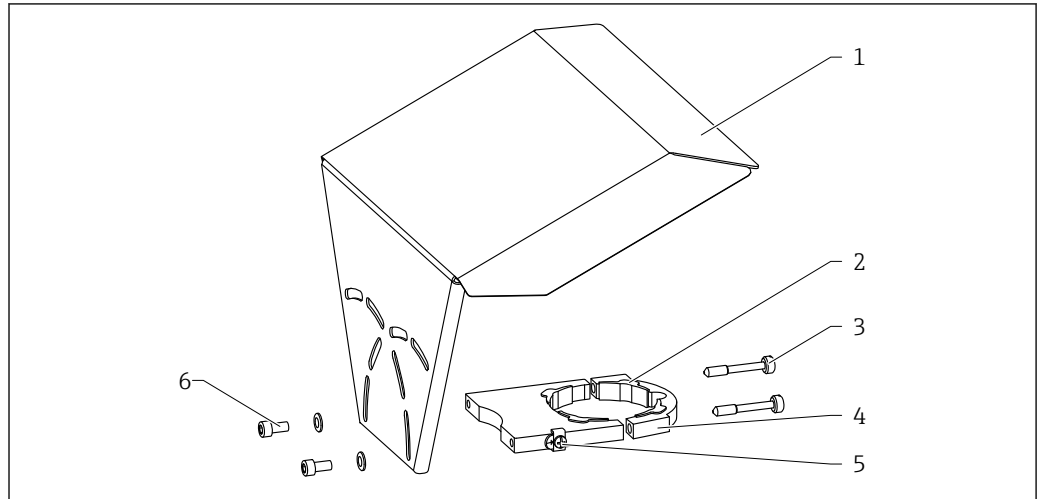
Materials: Adapter and cable for remote sensor



A0021722

Adapter and cable for "remote sensor" version		
No.	Component part	Material
1	Cable	FRNC
2	Sensor adapter	304 (1.4301)
3	Terminal	316L (1.4404)
	Screw	A4-70
4	Band	316 (1.4401)
	Crimp sleeve	Aluminum
	Nameplate	304 (1.4301)

Materials: Weather protection cover



A0015473

No.	Component: Material
1	Protection cover: 316L (1.4404)
2	Rubber molded part (4x): EPDM
3	Tensioning screw: 316L (1.4404) + carbon thread
4	Holder: 316L (1.4404)
5	Ground terminal <ul style="list-style-type: none"> ▪ Screw: A4 ▪ Spring washer: A4 ▪ Clamp: 316L (1.4404) ▪ Bracket: 316L (1.4404)
6	<ul style="list-style-type: none"> ▪ Washer: A4 ▪ Cylinder screw: A4-70

Operability

Operating concept

Operator-oriented menu structure for user-specific tasks

- Commissioning
- Operation
- Diagnostics
- Expert level

Operating languages

- English
- Deutsch
- Français
- Español
- Italiano
- Nederlands
- Portuguesa
- Polski
- русский язык (Russian)
- Svenska
- Türkçe
- 中文 (Chinese)
- 日本語 (Japanese)
- 한국어 (Korean)
- Bahasa Indonesia
- tiếng Việt (Vietnamese)
- čeština (Czech)



Feature 500 of the product structure determines which of these languages is preset on delivery.

Quick and save commissioning

- Interactive wizard with graphical interface for easy commissioning via FieldCare/DeviceCare
- Menu guidance with brief explanations of the individual parameter functions
- Standardized operation at the device and in the operating tools

Integrated data storage device (HistoROM)

- Enables transfer of configuration when changing electronic modules
- Records up to 100 event messages in the device
- Records up to 1000 measured values in the device
- Saves the signal curve on commissioning which can later be used as a reference.

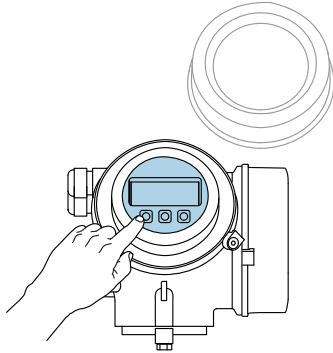
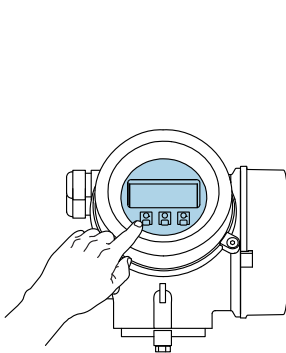
Efficient diagnostics increase measurement reliability

- Remedy information is integrated in plain text
- Diverse simulation options and line recorder functions

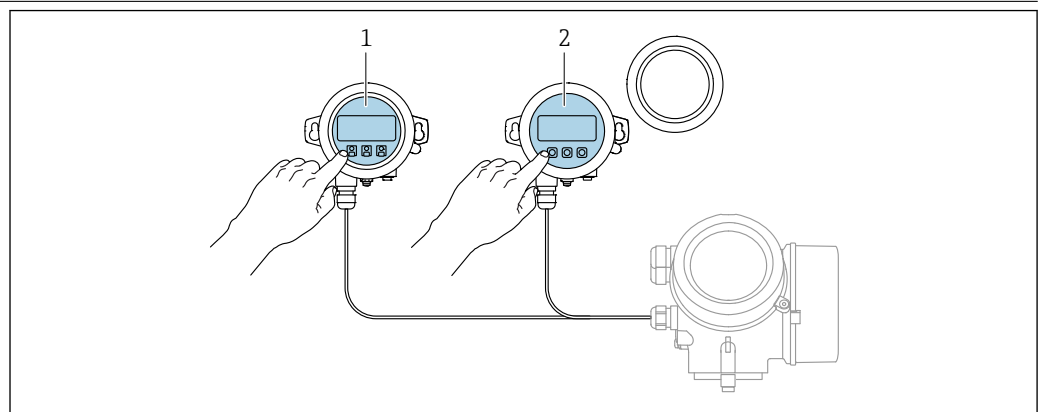
Integrated Bluetooth module (option for HART devices)

- Easy and fast setup via SmartBlue (app)
- No additional tools or adapters required
- Signal curve via SmartBlue (app)
- Encrypted single point-to-point data transmission (Fraunhofer-Institut, third party, tested) and password-protected communication via Bluetooth® wireless technology

Local operation

Operation with	Pushbuttons	Touch Control
Order code for "Display; Operation"	Option C "SD02"	Option E "SD03"
		
Display elements	4-line display	4-line display white background lighting; switches to red in event of device error
	Format for displaying measured variables and status variables can be individually configured	
	Permitted ambient temperature for the display: -20 to +70 °C (-4 to +158 °F) The readability of the display may be impaired at temperatures outside the temperature range.	
Operating elements	local operation with 3 push buttons (⊕, ⊖, ⏏)	external operation via touch control; 3 optical keys: ⊕, ⊖, ⏏
	Operating elements also accessible in various hazardous areas	
Additional functionality	Data backup function The device configuration can be saved in the display module.	
	Data comparison function The device configuration saved in the display module can be compared to the current device configuration.	
	Data transfer function The transmitter configuration can be transmitted to another device using the display module.	

Operation with remote display and operating module FHX50

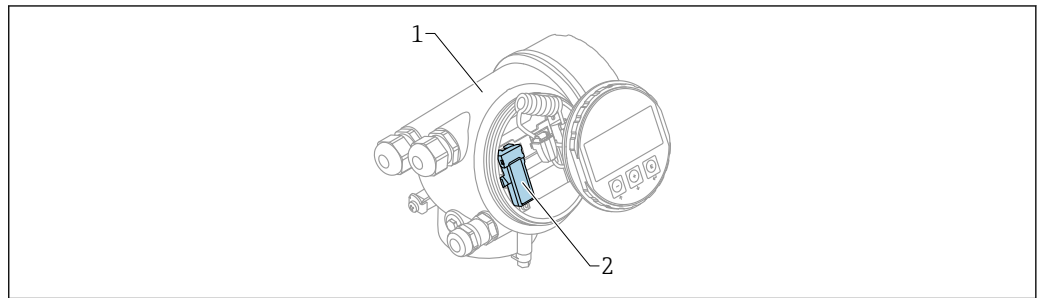


51 FHX50 operating options

- 1 Display and operating module SD03, optical keys; can be operated through the glass of the cover
- 2 Display and operating module SD02, push buttons; cover must be removed

Operation via Bluetooth® wireless technology

Requirements



A0036790

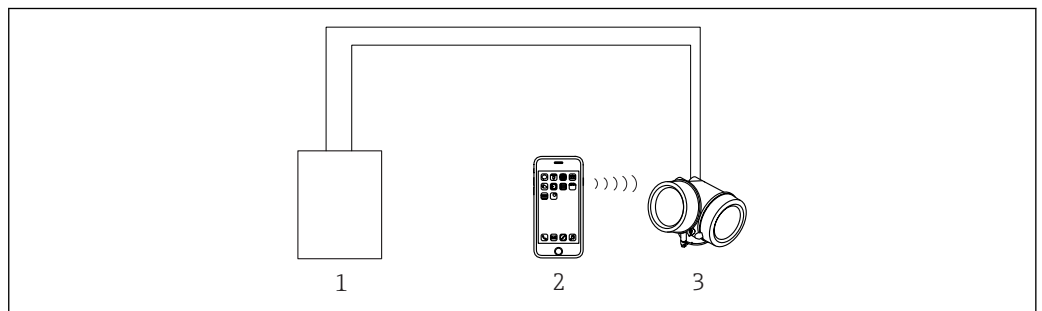
52 Device with Bluetooth module

- 1 Electronics housing of the device
- 2 Bluetooth module

This operation option is only available for devices with Bluetooth module. There are the following options:

- The device has been ordered with a Bluetooth module: Feature 610 "Accessory Mounted", option NF "Bluetooth"
- The Bluetooth module has been ordered as an accessory (ordering number: 71377355) and has been mounted. See Special Documentation SD02252F.

Operation via SmartBlue (app)



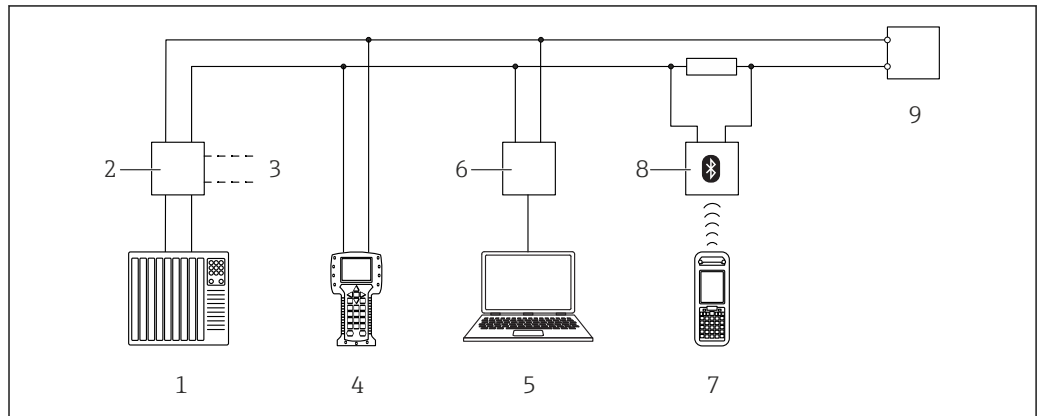
A0034939

53 Operation via SmartBlue (app)

- 1 Transmitter power supply unit
- 2 Smartphone / tablet with SmartBlue (app)
- 3 Transmitter with Bluetooth module

Remote operation

Via HART protocol

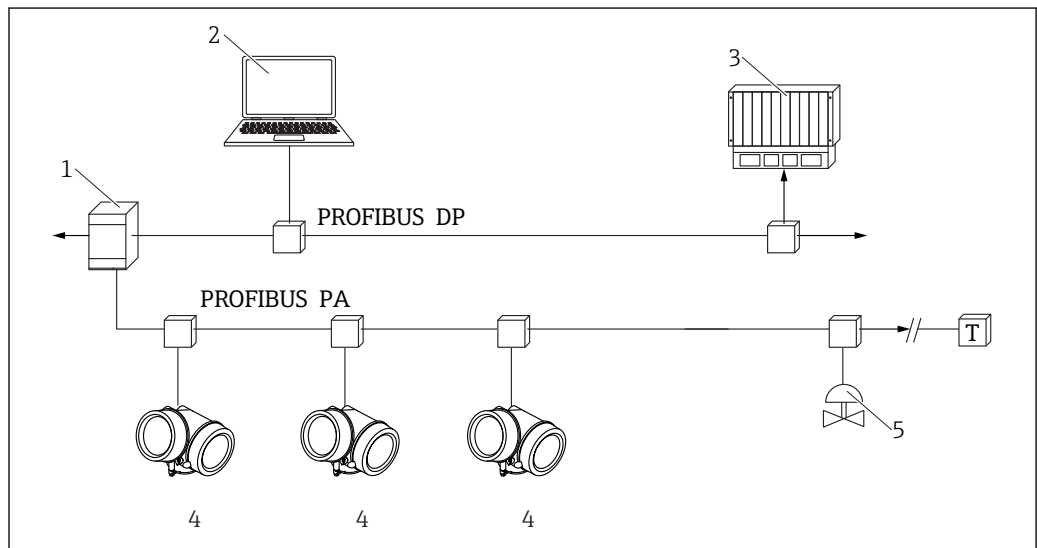


A0036169

54 Options for remote operation via HART protocol

- 1 PLC (Programmable Logic Controller)
- 2 Transmitter power supply unit, e.g. RN221N (with communication resistor)
- 3 Connection for Commubox FXA191, FXA195 and Field Communicator 375, 475
- 4 Field Communicator 475
- 5 Computer with operating tool (e.g. DeviceCare/FieldCare, AMS Device Manager, SIMATIC PDM)
- 6 Commubox FXA191 (RS232) or FXA195 (USB)
- 7 Field Xpert SFX350/SFX370
- 8 VIATOR Bluetooth modem with connecting cable
- 9 Transmitter

Via PROFIBUS PA protocol

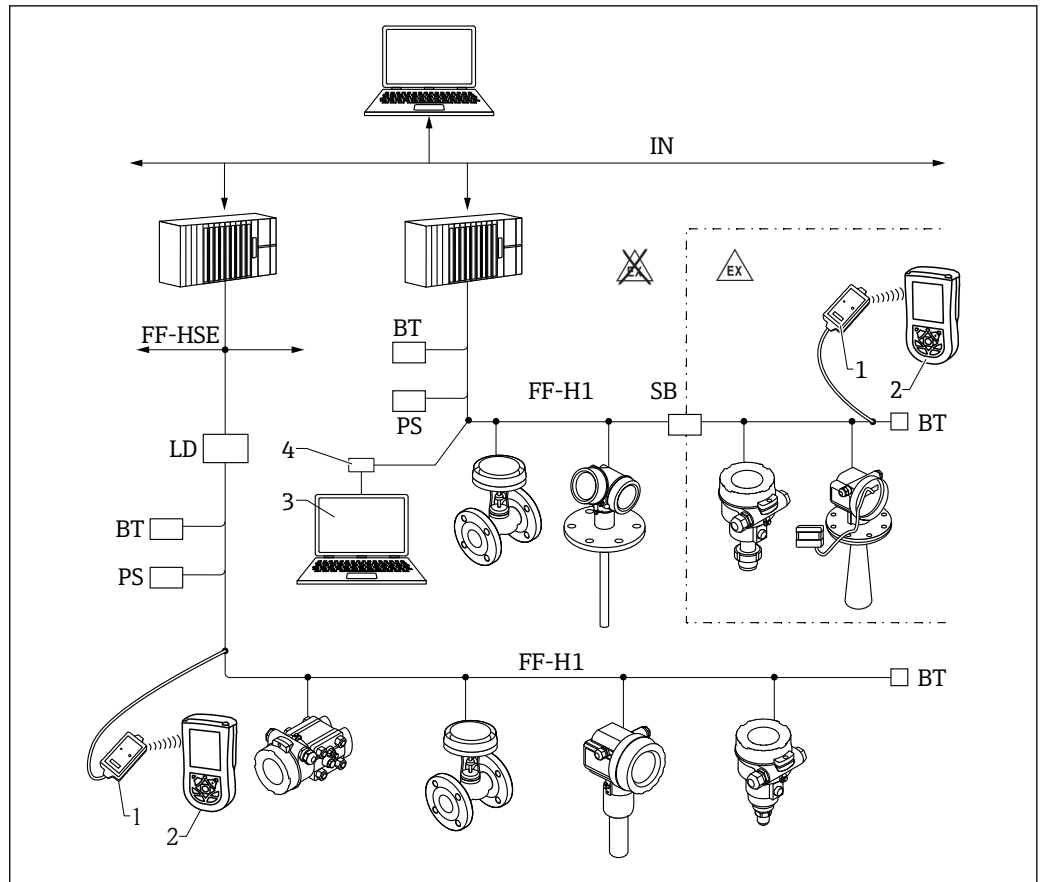


A0036301

55 Options for remote operation via PROFIBUS PA protocol

- 1 Segment coupler
- 2 Computer with Profiboard/Proficard and operating tool (e.g. DeviceCare/FieldCare)
- 3 PLC (Programmable Logic Controller)
- 4 Transmitter
- 5 Additional functions (valves etc.)

Via FOUNDATION Fieldbus



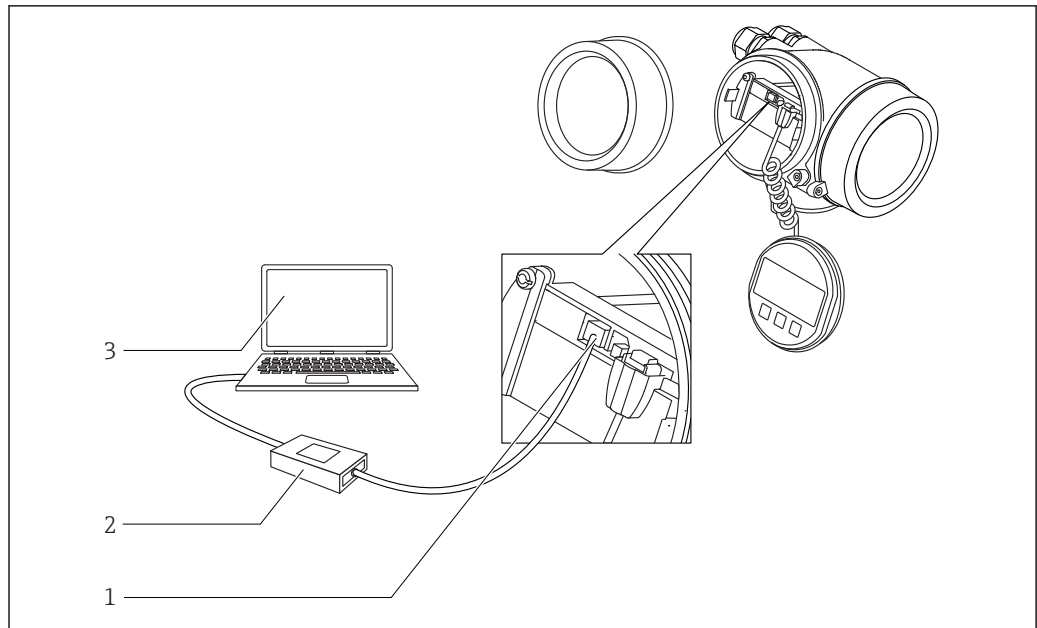
A0017188

56 FOUNDATION Fieldbus system architecture with associated components

- 1 FFblue Bluetooth modem
- 2 Field Xpert SFX350/SFX370
- 3 DeviceCare/FieldCare
- 4 NI-FF interface card

IN	Industrial network
FF-HSE	High Speed Ethernet
FF-H1	FOUNDATION Fieldbus-H1
LD	Linking Device FF-HSE/FF-H1
PS	Bus Power Supply
SB	Safety Barrier
BT	Bus Terminator

DeviceCare/FieldCare via service interface (CDI)



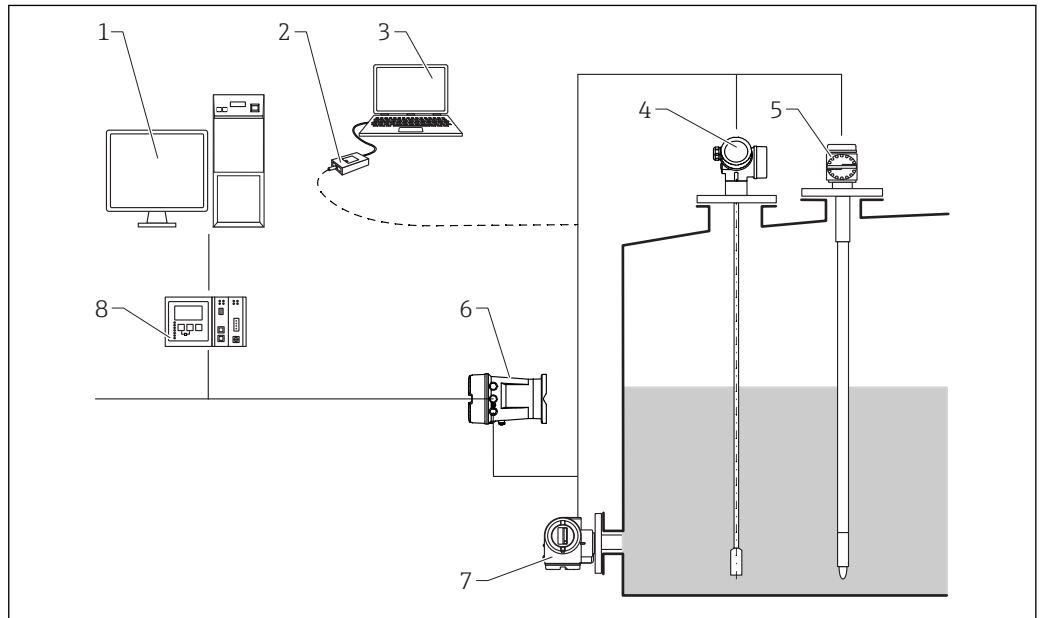
A0032466

57 DeviceCare/FieldCare via service interface (CDI)

- 1 Service interface (CDI) of the instrument (= Endress+Hauser Common Data Interface)
- 2 Commubox FXA291
- 3 Computer with DeviceCare/FieldCare operating tool

Integration in tank gauging system

The Endress+Hauser Tank Side Monitor NRF81 provides integrated communications for sites with multiple tanks, each with one or more sensors on the tank, such as radar, spot or average temperature, capacitive probe for water detection and/or pressure sensors. Multiple protocols out of the Tank Side Monitor guarantee connectivity to nearly any of the existing industry standard tank gauging protocols. Optional connectivity of analog 4...20 mA sensors, digital I/O and analog output simplify full tank sensor integration. Use of the proven concept of the intrinsically safe HART bus for all on-tank sensors yields extremely low wiring costs, while at the same time providing maximum safety, reliability and data availability.



A0016590

58 The complete measuring system consists of:

- 1 Tankvision workstation
- 2 Commubox FXA195 (USB) - optional
- 3 Computer with operating tool (ControlCare) - optional
- 4 Level measuring device
- 5 Temperature measuring device
- 6 Tank Side Monitor NRF81
- 7 Pressure measuring device
- 8 Tankvision Tank Scanner NXA820

SupplyCare inventory management software

SupplyCare is a web-based operating program for coordinating the flow of material and information along the supply chain. SupplyCare provides a comprehensive overview of the levels of geographically distributed tanks and silos, for instance, providing complete transparency over the current inventory situation, regardless of time and location.

Based on the measuring and transmission technology installed onsite, the current inventory data are collected and sent to SupplyCare. Critical levels are clearly indicated and calculated forecasts provide additional security for material requirements planning.

The main functions of SupplyCare:

Inventory visualization

SupplyCare determines the inventory levels in tanks and silos at regular intervals. It displays current and historical inventory data and calculated forecasts of future demand. The overview page can be configured to suit the user's preferences.

Master data management

With SupplyCare you can create and manage the master data for locations, companies, tanks, products and users, as well as user authorization.

Report Configurator

The Report Configurator can be used to create personalized reports quickly and easily. The reports can be saved in a variety of formats, such as Excel, PDF, CSV and XML. The reports can be transmitted in many ways, such as by http, ftp or e-mail.

Event management

Events, such as when levels drop below the safety stock level or plan points, are indicated by the software. In addition, SupplyCare can also notify pre-defined users by e-mail.

Alarms

If technical problems occur, e.g. connection issues, alarms are triggered and alarm e-mails are sent to the System Administrator and the Local System Administrator.

Delivery planning

The integrated delivery planning function automatically generates an order proposal if a pre-set minimum inventory level is undershot. Scheduled deliveries and disposals are monitored continuously by SupplyCare. SupplyCare notifies the user if scheduled deliveries and disposals are not going to be met as planned.

Analysis

In the Analysis module, the most important indicators for the inflow and outflow of the individual tanks are calculated and displayed as data and charts. Key indicators of material management are automatically calculated and form the basis for optimizing the delivery and storage process.

Geographical visualization

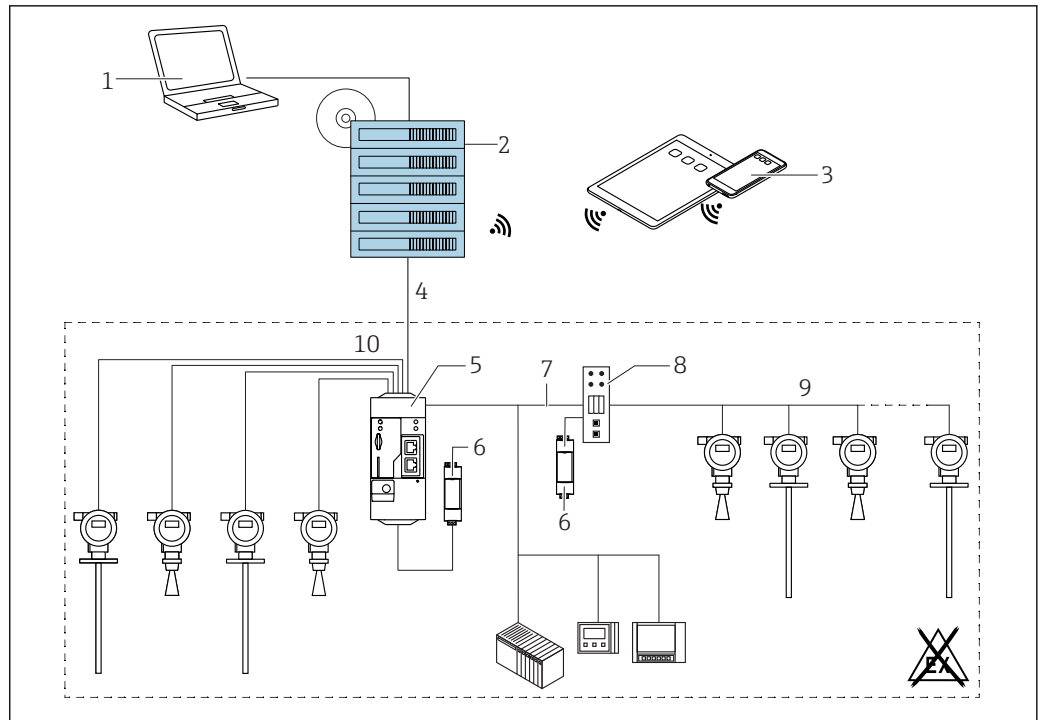
All the tanks and the tank inventories are represented graphically on a map (based on Google Maps). The tanks and inventory situations can be filtered by tank group, product, supplier or location.

Multi-language support

The multi-language user interface supports 9 languages, thereby enabling global collaboration on a single platform. The language and settings are recognized automatically using the browser settings.

SupplyCare Enterprise

SupplyCare Enterprise runs by default as a service under Microsoft Windows on an application server in an Apache Tomcat environment. The operators and administrators operate the application via a Web browser from their workstations.



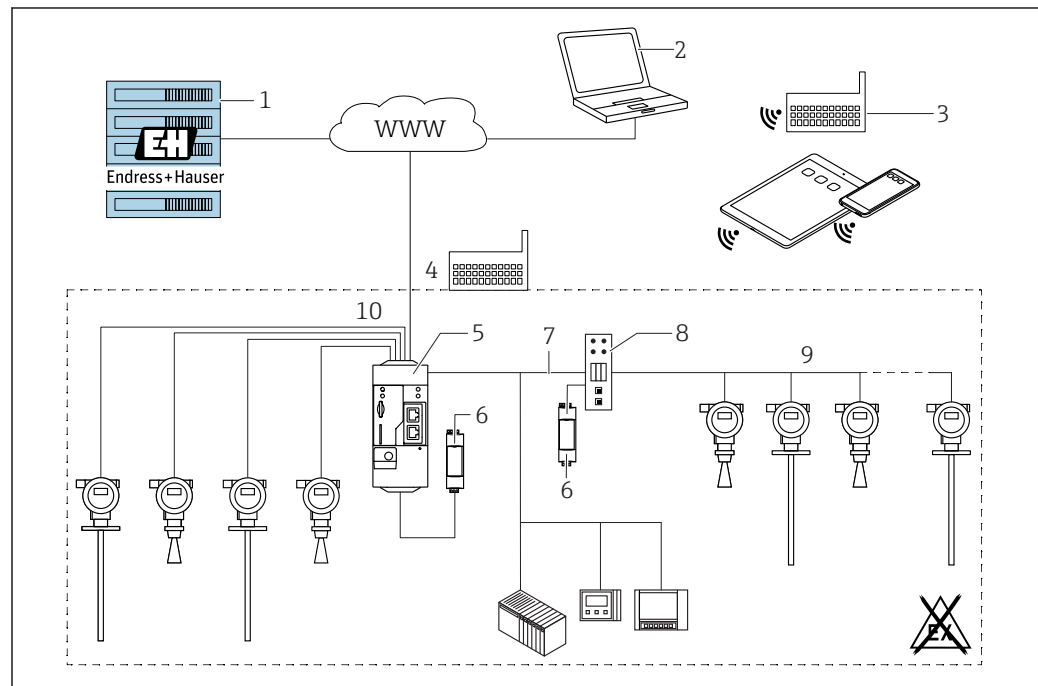
A0034288

59 Example of inventory management platform with SupplyCare Enterprise SCE30B

- 1 SupplyCare Enterprise (via Web browser)
- 2 SupplyCare Enterprise installation
- 3 SupplyCare Enterprise on mobile devices (via Web browser)
- 4 Ethernet/WLAN/UMTS
- 5 Fieldgate FXA42
- 6 Power supply 24 V DC
- 7 Modbus TCP via Ethernet as server/client
- 8 Converter from Modbus to HART Multidrop
- 9 HART Multidrop
- 10 4 x 4 to 20 mA analog input (2-wire/4-wire)

Cloud-based application: SupplyCare Hosting

SupplyCare Hosting is offered as a hosting service (software as a service). Here, the software is installed within the Endress+Hauser IT infrastructure and made available to the user in the Endress+Hauser portal.



A0034289

60 Example of inventory management platform with SupplyCare Hosting SCH30

- 1 SupplyCare Hosting installation in Endress+Hauser data center
- 2 PC workstation with Internet connection
- 3 Warehouse locations with Internet connection via 2G/3G with FXA42 or FXA30
- 4 Warehouse locations with Internet connection with FXA42
- 5 Fieldgate FXA42
- 6 Power supply 24 V DC
- 7 Modbus TCP via Ethernet as server/client
- 8 Converter from Modbus to HART Multidrop
- 9 HART Multidrop
- 10 4 x 4 to 20 mA analog input (2-wire/4-wire)

With SupplyCare Hosting, users do not need to make the initial software purchase or install and run the IT infrastructure needed. Endress+Hauser constantly update SupplyCare Hosting and enhance the capability of the software in conjunction with the customer. The hosted version of SupplyCare is thus always up-to-date and can be customized to meet different customer requirements. Other services are also offered in addition to the IT infrastructure and the software that is installed in a secure, redundant Endress+Hauser data center. These services include defined availability of the global Endress+Hauser Service and Support Organization and defined response times in a service event.

Certificates and approvals

 Currently available certificates and approvals can be called up via the product configurator.

CE mark The measuring system meets the legal requirements of the applicable EU Directives. These are listed in the corresponding EU Declaration of Conformity along with the standards applied.
Endress+Hauser confirms successful testing of the device by affixing to it the CE mark.


RoHS The measuring system complies with the substance restrictions of the Restriction on Hazardous Substances Directive 2011/65/EU (RoHS 2).

RCM-Tick marking The supplied product or measuring system meets the ACMA (Australian Communications and Media Authority) requirements for network integrity, interoperability, performance characteristics as well as health and safety regulations. Here, especially the regulatory arrangements for electromagnetic compatibility are met. The products are labelled with the RCM- Tick marking on the name plate.



A0029561

Ex approval The devices are certified for use in hazardous areas and the relevant safety instructions are provided in the separate "Safety Instructions" (XA, ZD) document. Reference is made to this document on the nameplate.

 The separate "Safety Instructions" documentation (XA) containing all the relevant explosion protection data is available from your Endress+Hauser sales organization.

Dual seal according to ANSI/ISA 12.27.01 The devices have been designed according to ANSI/ISA 12.27.01 as dual seal devices, allowing the user to waive the use and save the cost of installing external secondary process seals in the conduit as required by the process sealing sections of ANSI/NFPA 70 (NEC) and CSA 22.1 (CEC) These instruments comply with the North-American installation practice and provide a very safe and cost-saving installation for pressurized applications with hazardous fluids.


Further information can be found in the Safety Instructions (XA) of the relevant devices.

Functional safety Use for level monitoring (MIN, MAX, range) up to SIL 3 (homogeneous redundancy), independently evaluated by TÜV Rheinland in accordance with IEC 61508, refer to the "Functional Safety Manual" SD00326F for more information.

Overfill prevention **WHG**
DIBt Z-65.16-501

Hygienic compatibility Information regarding device versions that meet the requirements of 3A Sanitary Standard No. 74 and/or are certified by the EHEDG:

 SD02503F


 Suitable fittings and seals must be used to ensure hygiene-compliant design according to 3A and EHEDG specifications.

The gap-free connections can be cleaned of all residue using the typical cleaning methods within this industry (CIP and SIP).

Wetted non-metal parts of the FMP52 comply with FDA 21 CFR 177.1550 and USP Class VI.

AD2000

- For FMP51/FMP54:
The wetted material 316L (1.4435/1.4404) corresponds to AD2000 - W2/W10.
- For FMP52/FMP55:
The pressure retaining material 316L (1.4435/1.4404) corresponds to AD2000 - W2/W10.
- Declaration of Conformity: see the product structure, feature 580, version JF.

NACE MR 0175 / ISO 15156	<p>For FMP51, FMP54:</p> <ul style="list-style-type: none"> ■ The wetted, metal materials (excluding ropes) meet the requirements of NACE MR 0175 / ISO 15156. ■ Declaration of Conformity: see the product structure, feature 580, version JB
NACE MR 0103	<p>For FMP51, FMP54:</p> <ul style="list-style-type: none"> ■ The wetted, metal materials (excluding ropes) meet the requirements of NACE MR 0103 / ISO 17495. ■ The Declaration of Conformity is based on NACE MR 0175. The hardness and intergranular corrosion have been tested, and heat treatment (solution annealed) has been performed. The materials used therefore meet the requirements of NACE MR 0103 / ISO 17495. ■ Declaration of Conformity: see the product structure, feature 580, version JE.
ASME B31.1 and B31.3	<ul style="list-style-type: none"> ■ The design, the material used, the pressure and temperature ranges and the labeling of the devices meet the requirements of ASME B31.1 and B31.3 ■ Declaration of Conformity: see the product structure, feature 580, version KV.
Pressure equipment with allowable pressure ≤ 200 bar (2 900 psi)	<p>Pressure instruments with a flange and threaded boss that do not have a pressurized housing do not fall within the scope of the Pressure Equipment Directive, irrespective of the maximum allowable pressure.</p> <p>Reasons:</p> <p>According to Article 2, point 5 of EU Directive 2014/68/EU, pressure accessories are defined as "devices with an operational function and having pressure-bearing housings".</p> <p>If a pressure instrument does not have a pressure-bearing housing (no identifiable pressure chamber of its own), there is no pressure accessory present within the meaning of the Directive.</p>
Pressure equipment with allowable pressure > 200 bar (2 900 psi)	<p>Pressure equipment designated for application in every process fluid having a pressurized volume V of <0.1 l and a max. allowable pressure PS > 200 bar (2 900 psi) shall satisfy the essential safety requirements set out in Annex I of the Pressure Equipment Directive 2014/68/EU. According to Article 13 pressure equipment shall be classified by category in accordance with Annex II. The conformity assessment of the pressure equipment shall be determined by the category I under consideration of the above-mentioned low pressurized volume. These devices shall be provided with CE marking.</p> <p>Reasons:</p> <ul style="list-style-type: none"> ■ Pressure Equipment Directive 2014/68/EU, Article 13 and Annex II ■ Pressure equipment directive 2014/68/EU, Commission's Working Group "Pressure", Guideline A-05 <p>Note:</p> <p>A partial examination shall be performed for pressure instruments that are part of safety equipment for the protection of a pipe or vessel from exceeding allowable limits (equipment with safety function in accordance with Pressure Equipment Directive 2014/68/EU, Article 2, point 4).</p> <p>The conformity assessment was performed according to module A; and proof of static strength and fatigue strength according to EN 13445 and AD2000.</p> <p>The FMP54 is not suitable for use with unstable gases at nominal pressures above 200 bar (2900 psi).</p>
Steam boiler approval	<p>The FMP54 is approved as a limiting device for high water (HW) and low water (LW) for liquids in vessels which are subject to the requirements of EN12952-11 and EN12953-9 (certified by TÜV Nord).</p> <p>Product structure: feature 590 "Additional approval", version LX "Steam boiler approval".</p> <p>For details refer to Safety Instructions SD00349F and Planning Instructions SD01071F.</p> <p> Devices with a steam boiler approval always also have a SIL approval.</p>

Marine approval

Device	Marine approval ¹⁾				
	DNV GL	ABS	LR	BV	KR
FMP51	✓	✓	✓	✓	✓
FMP52	✓	✓	✓	✓	✓
FMP54	✓	✓	✓	-	-

1) See order code for 590 "Additional approval"

Radio approval

Satisfies "Part 15" of the FCC rules for an unintentional radiator. All probes meet the requirements for a Class A digital device.

In addition, coax probes and all probes in metal vessels meet the requirements for a Class B digital device.


CRN approval

A CRN approval is available for some device versions. Devices are CRN approved if the following two conditions are met:

- The device has a CSA or FM approval (product structure: feature 010 "Approval")
- The device has a CRN-approved process connection as per the following table:

Feature 100 in the product structure	Approval
AAJ	NPS 2" Cl. 600 RF, 316/316L flange ASME B16.5
ABJ	NPS 3" Cl. 600 RF, 316/316L flange ASME B16.5
AEJ	NPS 1-1/2" Cl. 150 RF, 316/316L flange ASME B16.5
AEK	NPS 1-1/2" Cl. 150, PTFE>316/316L flange ASME B16.5
AEM	NPS 1-1/2" Cl. 150, AlloyC>316/316L flange ASME B16.5
AFJ	NPS 2" Cl. 150 RF, 316/316L flange ASME B16.5
AFK	NPS 2" C. 150, PTFE>316/316L flange ASME B16.5
AFM	NPS 2" Cl. 150, AlloyC>316/316L flange ASME B16.5
AGJ	NPS 3" Cl. 150 RF, 316/316L flange ASME B16.5
AGK	NPS 3" Cl. 150, PTFE>316/316L flange ASME B16.5
AGM	NPS 3" Cl. 150, AlloyC>316/316L flange ASME B16.5
AHJ	NPS 4" Cl. 150 RF, 316/316L flange ASME B16.5
AHK	NPS 4" Cl. 150, PTFE>316/316L flange ASME B16.5
AJJ	NPS 6" Cl. 150 RF, 316/316L flange ASME B16.5
AJK	NPS 6" Cl. 150, PTFE>316/316L flange ASME B16.5
AKJ	NPS 8" Cl. 150 RF, 316/316L flange ASME B16.5
AOJ	NPS 4" Cl. 600 RF, 316/316L flange ASME B16.5
AQJ	NPS 1-1/2" Cl. 300 RF, 316/316L flange ASME B16.5
AQK	NPS 1-1/2" Cl. 300, PTFE>316/316L flange ASME B16.5
AQM	NPS 1-1/2" Cl. 300, AlloyC>316/316L flange ASME B16.5
ARJ	NPS 2" Cl. 300 RF, 316/316L flange ASME B16.5
ARK	NPS 2" Cl. 300, PTFE>316/316L flange ASME B16.5
ARM	NPS 2" Cl. 300, AlloyC>316/316L flange ASME B16.5
ASJ	NPS 3" Cl. 300 RF, 316/316L flange ASME B16.5
ASK	NPS 3" Cl. 300, PTFE>316/316L flange ASME B16.5
ASM	NPS 3" Cl. 300, AlloyC>316/316L flange ASME B16.5
ATJ	NPS 4" Cl. 300 RF, 316/316L flange ASME B16.5
ATK	NPS 4" Cl. 300, PTFE>316/316L flange ASME B16.5


Feature 100 in the product structure	Approval
ATM	NPS 4" Cl.300, AlloyC>316/316L flange ASME B16.5
AZJ	NPS 4" Cl. 900 RF, 316/316L flange ASME B16.5
A6J	NPS 2" Cl. 1500 RF, 316/316L flange ASME B16.5
A7J	NPS 3" Cl. 1500 RF, 316/316L flange ASME B16.5
A8J	NPS 4" Cl. 1500 RF, 316/316L flange ASME B16.5
GGJ	Thread ISO228 G1-1/2, 316L
GIJ	Thread ISO228 G1-1/2, 200bar, 316L
GJJ	Thread ISO228 G1-1/2, 400bar, 316L
RAJ	Thread ANSI MNPT1-1/2, 200bar, 316L
RBJ	Thread ANSI MNPT1-1/2, 400bar, 316L
RGJ	Thread ANSI MNPT1-1/2, 316L
TAK	Tri-Clamp ISO2852 DN40-51 (2"), 3A, PTFE>316L
TDK	Tri-Clamp ISO2852 DN40-51 (2"), PTFE>316L
TFK	Tri-Clamp ISO2852 DN70-76.1 (3"), PTFE>316L
TJK	Tri-Clamp ISO2852 DN38 (1-1/2"), PTFE>316L
TLK	Tri-Clamp ISO2852 DN70-76.1 (3"), 3A, PTFE>316L
TNK	Tri-Clamp ISO2852 DN38 (1-1/2"), 3A, PTFE>316L


-  Process connections that do not have CRN approval are not listed in this table.
- Please refer to the product structure to discover which process connections are available for a specific device type.
- CRN-approved devices are labeled with registration number OF14480.5C on the nameplate.

Experience

FMP5x is the upgrade model of the FMP4x series.

Test, certificate

Feature 580 "Test, certificate"	Designation	Approval
JA	3.1 Material documentation, wetted metal parts, EN10204-3.1 inspection certificate	<ul style="list-style-type: none"> ■ FMP51 ■ FMP54
JB	Declaration of Conformity NACE MR0175, wetted metal parts	<ul style="list-style-type: none"> ■ FMP51 ■ FMP52 ■ FMP54
JD	3.1 Material certificate, pressurized parts, EN10204-3.1 inspection certificate	FMP52
JE	Declaration of Conformity NACE MR0103, wetted metal parts	<ul style="list-style-type: none"> ■ FMP51 ■ FMP52 ■ FMP54
JF	Declaration of Conformity AD2000, wetted metal parts: Material conformity for all metal wetted/pressurized parts according to AD2000 (data sheets W2, W9, W10)	<ul style="list-style-type: none"> ■ FMP51 ■ FMP52 ■ FMP54
JN	Ambient temperature transmitter -50 °C (-58 °F)  Devices with this option are routine tested (start-up test at -50 °C (-58 °F)).	<ul style="list-style-type: none"> ■ FMP51 ■ FMP54
KD	Helium leak test, internal procedure, inspection certificate	<ul style="list-style-type: none"> ■ FMP51 ■ FMP54
KE	Pressure test, internal procedure, inspection certificate	<ul style="list-style-type: none"> ■ FMP51 ■ FMP52 ■ FMP54
KG	3.1 Material certificate+PMI test (XRF), internal procedure, wetted metal parts, EN10204-3.1 inspection certificate	<ul style="list-style-type: none"> ■ FMP51 ■ FMP54
KP	Penetrant testing AD2000-HP5-3 (PT), wetted/pressurized metal parts, inspection certificate	<ul style="list-style-type: none"> ■ FMP51 ■ FMP54
KQ	Penetrant testing ISO23277-1 (PT), wetted/pressurized metal parts, inspection certificate	<ul style="list-style-type: none"> ■ FMP51 ■ FMP54
KR	Penetrant testing ASME VIII-1 (PT), wetted/pressurized metal parts, inspection certificate	<ul style="list-style-type: none"> ■ FMP51 ■ FMP54
KS	Welding documentation, wetted/pressurized seams Consists of: <ul style="list-style-type: none"> ■ Welding drawing ■ WPQR (Welding Procedure Qualification Report) ■ WPS (Welding Process Specification) ■ WQR (Manufacturer's Declaration) 	<ul style="list-style-type: none"> ■ FMP51 ■ FMP54
KV	Declaration of Conformity ASME B31.3: The design, the material used, the pressure and temperature ranges and the labeling of the devices meet the requirements of ASME B31.3	<ul style="list-style-type: none"> ■ FMP51 ■ FMP52 ■ FMP54

 Test reports, declarations and inspection certificates are available in electronic format in the *W@M Device Viewer*:
Enter the serial number that appears on the device (www.endress.com/deviceviewer)
This concerns the options for the following order codes:

- 550 "Calibration"
- 580 "Test, certificate"

Hard-copy product documentation

Hard-copy versions of the test reports, declarations and inspection certificates can also be order via order code 570 "Service", option I7 "Hard-copy product documentation". The documents are then supplied with the product.

Other standards and guidelines

- EN 60529
Degrees of protection provided by enclosures (IP code)
- EN 61010-1
Safety requirements for electrical equipment for measurement, control and laboratory use
- IEC/EN 61326
"Emission in accordance with Class A requirements". Electromagnetic compatibility (EMC requirements).
- NAMUR NE 21
Electromagnetic compatibility (EMC) of industrial process and laboratory control equipment
- NAMUR NE 43
Standardization of the signal level for the breakdown information of digital transmitters with analog output signal.
- NAMUR NE 53
Software of field devices and signal-processing devices with digital electronics
- NAMUR NE 107
Status classification as per NE107
- NAMUR NE 131
Requirements for field devices for standard applications
- IEC61508
Functional safety of safety-related electric/electronic/programmable electronic systems

Ordering information

Ordering information

Detailed ordering information is available for your nearest sales organization www.addresses.endress.com or in the Product Configurator under www.endress.com :

1. Click Corporate
2. Select the country
3. Click Products
4. Select the product using the filters and search field
5. Open the product page


The Configuration button to the right of the product image opens the Product Configurator.



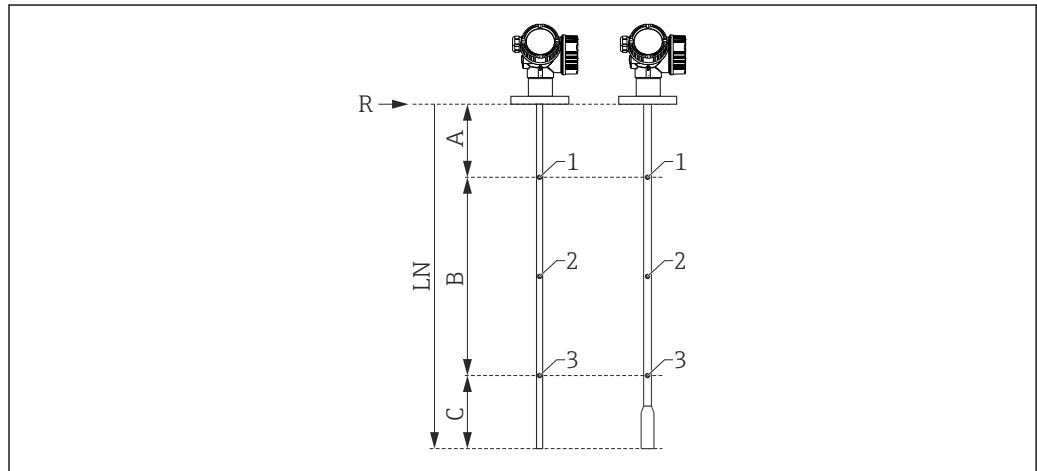
Product Configurator - the tool for individual product configuration

- Up-to-the-minute configuration data
- Depending on the device: Direct input of measuring point-specific information such as measuring range or operating language
- Automatic verification of exclusion criteria
- Automatic creation of the order code and its breakdown in PDF or Excel output format
- Ability to order directly in the Endress+Hauser Online Shop

3-point linearity protocol

 The following points must be considered if option F3 (3-point linearity protocol) was selected in feature 550 ("Calibration").

The 3 points of the linearity protocol are defined as follows, depending on the selected probe:





A0021843

- A Distance from the reference point R to the first measuring point
- B Measuring range
- C Distance from the probe end to the third measuring point
- LN Probe length
- R Reference point of measurement
- 1 First measuring point
- 2 Second measuring point (in the middle between the first and third measuring point)
- 3 Third measuring point


	Rod or coax probe ¹⁾ LN ≤ 6 m (20 ft)	Separable rod probe LN > 6 m (20 ft)	Rope probe LN ≤ 6 m (20 ft)	Rope probe LN > 6 m (20 ft)
Position of 1st measuring point	<ul style="list-style-type: none"> ▪ FMP51/FMP52/FMP54 without gas phase compensation/ FMP55: A = 350 mm (13.8 in) ▪ FMP54 with gas phase compensation, L_{ref} = 300 mm (11 in): A = 600 mm (23.6 in) ▪ FMP54 with gas phase compensation, L_{ref} = 550 mm (21 in): A = 850 mm (33.5 in) 		A = 350 mm (13.8 in)	A = 350 mm (13.8 in)
Position of 2nd measuring point	In the middle between the 1st and 3rd measuring point	In the middle between the 1st and 3rd measuring point	In the middle between the 1st and 3rd measuring point	In the middle between the 1st and 3rd measuring point
Position of 3rd measuring point	Measured from bottom: C = 250 mm (9.84 in)	Measured from top: A+B = 5 750 mm (226 in)	Measured from bottom: C = 500 mm (19.7 in)	Measured from top: A+B = 5 500 mm (217 in)
Minimum measuring range	B ≥ 400 mm (15.7 in)	B ≥ 400 mm (15.7 in)	B ≥ 400 mm (15.7 in)	B ≥ 400 mm (15.7 in)
Minimum probe length	LN ≥ 1 000 mm (39.4 in)	LN ≥ 1 000 mm (39.4 in)	LN ≥ 1 250 mm (49.2 in)	LN ≥ 1 250 mm (49.2 in)

1) Also applies for separable rods

 The position of the measuring points can vary by ±1 cm (±0.04 in).

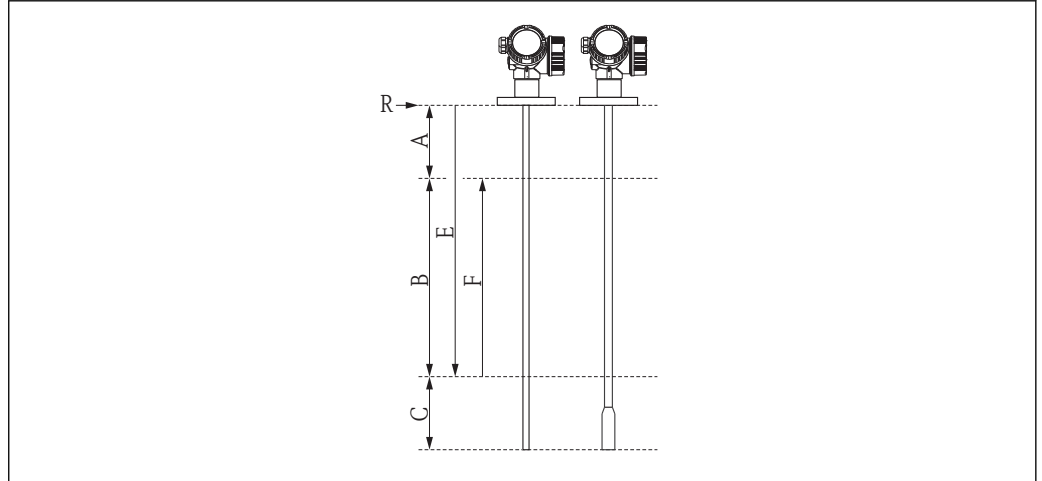
- 
 - In the case of rod and rope probes, the linearity check is performed with the entire device.
 - For separable rod probes, a reference rod probe is used instead of the original probe.
 - In the case of coax probes, the device electronics unit is mounted on a reference rod probe during the test and the linearity check is performed.
 - The linearity check is performed under reference operating conditions.

5-point linearity protocol

 The following points must be considered if option F4 (5-point linearity protocol) was selected in feature 550 ("Calibration").

The 5 points of the linearity protocol are evenly distributed over the measuring range (0% - 100%). **Empty calibration (E)** and **Full calibration (F)** must be specified in order to define the measuring range⁵⁾.

The following restrictions must be considered when selecting E and F:



A0014673






- A Distance from the reference point R to the 100% mark
- B Measuring range
- C Distance from the probe end to the 0% mark
- E Empty calibration
- F Full calibration
- R Reference point of measurement

Sensor	Minimum distance between reference point R and 100% mark	Minimum measuring range
FMP51	A ≥ 250 mm (10 in)	B ≥ 400 mm (16 in)
FMP51 Rope probe with centering rod, max. 300 mm (12 in) nozzle height ¹⁾	A ≥ 350 mm (14 in)	B ≥ 400 mm (16 in)
FMP52	A ≥ 250 mm (10 in)	B ≥ 400 mm (16 in)
FMP52 Rope probe with centering rod, max. 300 mm (12 in) nozzle height ²⁾	A ≥ 350 mm (14 in)	B ≥ 400 mm (16 in)
FMP54 without gas phase compensation	A ≥ 250 mm (10 in)	B ≥ 400 mm (16 in)
FMP54 with gas phase compensation, L _{ref} = 300 mm	A ≥ 450 mm (18 in)	B ≥ 400 mm (16 in)
FMP54 with gas phase compensation, L _{ref} = 550 mm	A ≥ 700 mm (28 in)	B ≥ 400 mm (16 in)

- 1) Product structure: feature 060 "Probe", option MB or MD
- 2) Product structure: feature 060 "Probe", option OB or OD

5) If (E) and (F) are not specified, probe-dependent default values will be used instead.

Probe type	Minimum distance from the probe end to the 0% mark	Maximum value for "Empty calibration"
Rod (non-separable)	$C \geq 100 \text{ mm (4 in)}$	$E \leq 3.9 \text{ m (12.8 ft)}$
<ul style="list-style-type: none"> ▪ Coax ▪ Rod (separable) 	$C \geq 100 \text{ mm (4 in)}$	$E \leq 5.9 \text{ m (19.4 ft)}$
Cable	$C \geq 1000 \text{ mm (40 in)}$	$E \leq 23 \text{ m (75 ft)}$

-  In the case of rod and rope probes, the linearity check is performed with the entire device.
-  In the case of coax probes, the device electronics unit is mounted on a reference rod probe during the test and the linearity check is performed.
-  The linearity check is performed under reference operating conditions.
-  The selected values for **Empty calibration** and **Full calibration** are only used to create the linearity protocol. Afterwards, the values are reset to the default values specific for the probe. If values other than the default values are required, they must be ordered as a customized parameterization →  119.

Customer-specific configuration

If the option IJ: "Customized parameterization HART", IK "Customized parameterization PA" or IL "Customized parameterization FF" has been selected in feature 570 "Service", presettings that differ from the default settings can be selected for the following parameters:

Parameter	Communication protocol	Picklist / range of values
Setup → Unit of length	<ul style="list-style-type: none"> ■ HART ■ PA ■ FF 	<ul style="list-style-type: none"> ■ in ■ ft ■ mm ■ m
Setup → Empty calibration	<ul style="list-style-type: none"> ■ HART ■ PA ■ FF 	0 to 45 m (0 to 147 ft)
Setup → Full calibration	<ul style="list-style-type: none"> ■ HART ■ PA ■ FF 	0 to 45 m (0 to 147 ft)
Setup → Extended setup → Curr. output 1/2 → Damping	HART	0 to 999.9 s
Setup → Extended setup → Curr. output 1/2 → Failure mode	HART	<ul style="list-style-type: none"> ■ Min ■ Max ■ Last valid value
Expert → Comm. → HART config. → Burst mode	HART	<ul style="list-style-type: none"> ■ Off ■ On

Tagging (TAG)

Ordering feature	895: Marking
Option	Z1: Tagging (TAG), see additional spec.
Position of the measuring point marking	To be selected in the additional specifications: <ul style="list-style-type: none"> ■ Tag plate Stainless Steel ■ Self-adhesive paper label ■ Supplied label/plate ■ RFID TAG ■ RFID TAG + Tag plate Stainless Steel ■ RFID TAG + Self-adhesive paper label ■ RFID TAG + Supplied label/plate
Definition of the measuring point designation	To be defined in the additional specifications: 3 lines containing up to 18 characters each The measuring point designation appears on the selected label and/or the RFID TAG.
Designation in the Electronic Name Plate (ENP)	The first 32 characters of the measuring point designation
Designation on the display module	The first 12 characters of the measuring point designation

Application packages

Heartbeat Diagnostics

Availability

Available in all device versions.

Function

- Continuous self-monitoring of the device.
- Diagnostic messages output to
 - the local display.
 - an asset management system (e.g. FieldCare/DeviceCare).
 - an automation system (e.g. PLC).

Advantages

- Device condition information is available immediately and processed in time.
- The status signals are classified in accordance with VDI/VDE 2650 and NAMUR recommendation NE 107 and contain information about the cause of the error and remedial action.

Detailed description

See the "Diagnostics and troubleshooting" section of the Operating Instructions for the device.

Heartbeat Verification

Availability

Available for the following versions of feature 540 "Application package":

- EH: Heartbeat Verification + Monitoring
- EJ: Heartbeat Verification

Device functionality checked on demand

- Verification of the correct functioning of the measuring device within specifications.
- The verification result provides information about the condition of the device: **Passed** or **Failed**.
- The results are documented in a verification report.
- The automatically generated report supports the obligation to demonstrate compliance with internal and external regulations, laws and standards.
- Verification is possible without interrupting the process.

Advantages

- No onsite presence is required to use the function.
- The DTM ⁶⁾ triggers verification in the device and interprets the results. No specific knowledge is required on the part of the user.
- The verification report can be used to prove quality measures to a third party.
- **Heartbeat Verification** can replace other maintenance tasks (e.g. periodic check) or extend the test intervals.

SIL/WHG-locked devices ⁷⁾

- The **Heartbeat Verification** module contains a wizard for the proof test which must be performed at appropriate intervals for the following applications:
 - SIL (IEC61508/IEC61511)
 - WHG (German Water Resources Act)
- To perform a proof test, the device must be locked (SIL/WHG locking).
- The wizard can be used via FieldCare, DeviceCare or a DTM-based process control system.



In the case of SIL-locked and WHG-locked devices, it is **not** possible to perform verification without taking additional measures (e.g. bridging the output current) because the output current must be simulated (Increased safety mode) or the level must be approached manually (Expert mode) during subsequent re-locking (SIL/WHG locking).

Detailed description



SD01872F

6) DTM: Device Type Manager; controls device operation via DeviceCare, FieldCare or a DTM-based process control system.

7) Only relevant for devices with SIL or WHG approval: order code 590 ("Additional approval"), option LA ("SIL") or LC ("WHG").

Heartbeat Monitoring

Availability

Available for the following versions of feature 540 "Application package":
EH: Heartbeat Verification + Monitoring

Function

- In addition to the verification parameters, the corresponding parameter values are also logged.
- Existing measured variables, such as the echo amplitude, are used in the **Foam detection** and **Build-up detection** wizards.



In the Levelflex FMP5x, the **Foam detection** and **Build-up detection** wizards cannot be used together.

"Foam detection" wizard

- The Heartbeat Monitoring module contains the **Foam detection** wizard.
- This wizard is used to configure automatic foam detection, which detects foam on the product surface on the basis of the reduced signal amplitude. Foam detection can be linked to a switch output in order to control a sprinkler system, for example, which dissolves the foam.
- This wizard can be used via FieldCare, DeviceCare or a DTM-based process control system.

"Build-up detection" wizard

- The Heartbeat Monitoring module contains the **Build-up detection** wizard.
- The wizard is used to configure automatic buildup detection, which detects the buildup of deposits on the probe on the basis of the reduced signal amplitude.
- This wizard can be used via FieldCare, DeviceCare or a DTM-based process control system.

Advantages

- Early detection of changes (trends) to ensure plant availability and product quality.
- Use of information for the proactive planning of measures (e.g. cleaning/maintenance).
- Identification of undesirable process conditions as the basis to optimizing the facility and the processes.
- Automated control of measures to remove foam or buildup.

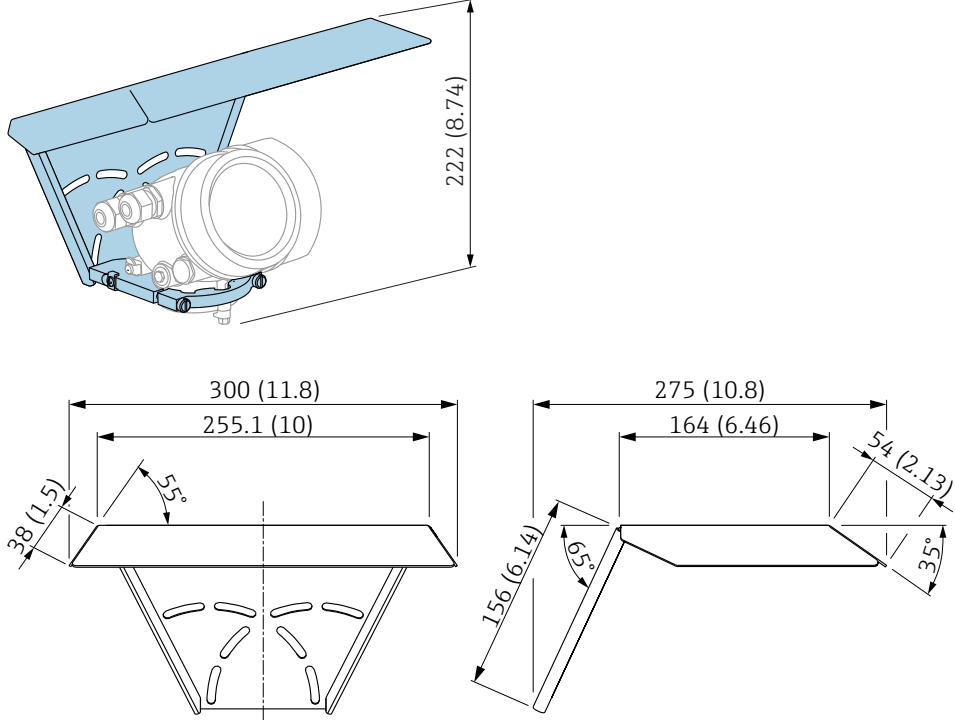


Detailed description



SD01872F

Accessories

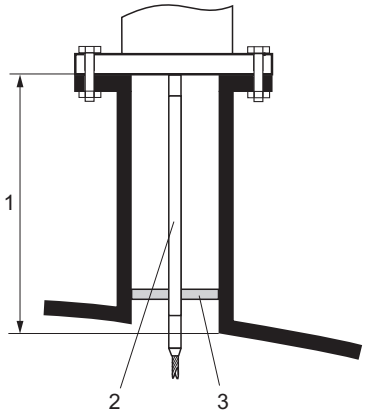
Device-specific accessories Weather protection cover

Accessory	Description
Weather protection cover	 <p data-bbox="1476 728 1524 750">A0015466</p> <p data-bbox="1476 1142 1524 1164">A0015472</p> <p data-bbox="414 1164 925 1198">  61 Weather protection cover; Dimensions: mm (in) </p> <p data-bbox="414 1220 1492 1310">  The weather protection cover can be ordered together with the device (product structure, feature 620 "Accessory Enclosed", option PB "Weather Protection Cover"). Alternatively, it can be separately ordered as an accessory; order code 71162242. </p>

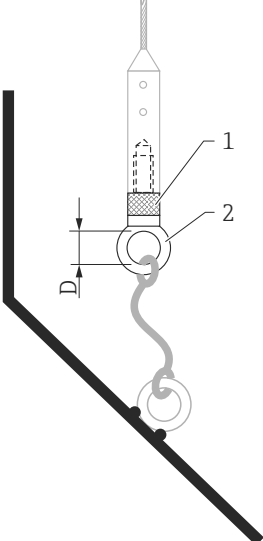
Mounting bracket for electronics housing

Accessories	Description
<p>Mounting bracket for electronics housing</p>	<div style="display: flex; justify-content: space-around;"> <div style="text-align: center;"> <p>A</p> </div> <div style="text-align: center;"> <p>B</p> </div> </div> <p> 62 Mounting bracket for electronics housing; engineering unit: mm (in) </p> <p> A Wall mounting B Post mounting </p> <p> With "remote sensor" device versions (see feature 060 in the product structure), the mounting bracket is included in the scope of delivery. However, it can also be ordered separately as an accessory (order number: 71102216). </p> <p style="text-align: right; font-size: small;">A0014793</p>

Rod extension / centering device

Accessories	Description																																																		
<p>Rod extension / centering device HMP40</p> <ul style="list-style-type: none"> ▪ Suitable for: FMP54 ▪ Permitted temperature at lower edge of nozzle: <ul style="list-style-type: none"> ▪ without centering disk: no restriction ▪ with centering disk: -40 to +150 °C (-40 to +302 °F) ▪ Additional information: SD01002F 	<div style="text-align: center;">  </div> <p style="text-align: right; font-size: small;">A0013597</p> <p>1 Nozzle height 2 Extension rod 3 Centering disk</p> <table border="1" style="width: 100%; border-collapse: collapse;"> <tr> <td style="width: 50px;">010</td> <td>Approval:</td> </tr> <tr> <td>A</td> <td>Non-hazardous area</td> </tr> <tr> <td>M</td> <td>FM DIP Cl.II Div.1 Gr.E-G N.I., Zone 21,22</td> </tr> <tr> <td>P</td> <td>CSA DIP Cl.II Div.1 Gr.G + coal dust N.I.</td> </tr> <tr> <td>S</td> <td>FM Cl.I, II, III Div.1 Gr.A-G N.I., Zone 0,1,2,20,21,22</td> </tr> <tr> <td>U</td> <td>CSA Cl.I, II, III Div.1 Gr.A-G N.I., Zone 0,1,2</td> </tr> <tr> <td>1</td> <td>ATEX II 1G</td> </tr> <tr> <td>2</td> <td>ATEX II 1D</td> </tr> <tr> <td colspan="2">020 Extension rod; height of nozzle:</td> </tr> <tr> <td>1</td> <td>115mm; 150-250mm / 6-10"</td> </tr> <tr> <td>2</td> <td>215mm; 250-350mm / 10-14"</td> </tr> <tr> <td>3</td> <td>315mm; 350-450mm / 14-18"</td> </tr> <tr> <td>4</td> <td>415mm; 450-550mm / 18-22"</td> </tr> <tr> <td>9</td> <td>Special version; TSP no. to be specified</td> </tr> <tr> <td colspan="2">030 Centering disk:</td> </tr> <tr> <td>A</td> <td>Not selected</td> </tr> <tr> <td>B</td> <td>DN40 / 1-1/2", inside-d. = 40-45mm, PPS</td> </tr> <tr> <td>C</td> <td>DN50 / 2", inside-d. = 50-57mm, PPS</td> </tr> <tr> <td>D</td> <td>DN80 / 3", inside-d. = 80-85mm, PPS</td> </tr> <tr> <td>E</td> <td>DN80 / 3", inside-d. = 76-78mm, PPS</td> </tr> <tr> <td>G</td> <td>DN100 / 4", inside-d. = 100-110mm, PPS</td> </tr> <tr> <td>H</td> <td>DN150 / 6", inside-d. = 152-164mm, PPS</td> </tr> <tr> <td>J</td> <td>DN200 / 8", inside-d. = 210-215mm, PPS</td> </tr> <tr> <td>K</td> <td>DN250 / 10", inside-d. = 253-269mm, PPS</td> </tr> <tr> <td>Y</td> <td>Special version; TSP no. to be specified</td> </tr> </table>	010	Approval:	A	Non-hazardous area	M	FM DIP Cl.II Div.1 Gr.E-G N.I., Zone 21,22	P	CSA DIP Cl.II Div.1 Gr.G + coal dust N.I.	S	FM Cl.I, II, III Div.1 Gr.A-G N.I., Zone 0,1,2,20,21,22	U	CSA Cl.I, II, III Div.1 Gr.A-G N.I., Zone 0,1,2	1	ATEX II 1G	2	ATEX II 1D	020 Extension rod; height of nozzle:		1	115mm; 150-250mm / 6-10"	2	215mm; 250-350mm / 10-14"	3	315mm; 350-450mm / 14-18"	4	415mm; 450-550mm / 18-22"	9	Special version; TSP no. to be specified	030 Centering disk:		A	Not selected	B	DN40 / 1-1/2", inside-d. = 40-45mm, PPS	C	DN50 / 2", inside-d. = 50-57mm, PPS	D	DN80 / 3", inside-d. = 80-85mm, PPS	E	DN80 / 3", inside-d. = 76-78mm, PPS	G	DN100 / 4", inside-d. = 100-110mm, PPS	H	DN150 / 6", inside-d. = 152-164mm, PPS	J	DN200 / 8", inside-d. = 210-215mm, PPS	K	DN250 / 10", inside-d. = 253-269mm, PPS	Y	Special version; TSP no. to be specified
010	Approval:																																																		
A	Non-hazardous area																																																		
M	FM DIP Cl.II Div.1 Gr.E-G N.I., Zone 21,22																																																		
P	CSA DIP Cl.II Div.1 Gr.G + coal dust N.I.																																																		
S	FM Cl.I, II, III Div.1 Gr.A-G N.I., Zone 0,1,2,20,21,22																																																		
U	CSA Cl.I, II, III Div.1 Gr.A-G N.I., Zone 0,1,2																																																		
1	ATEX II 1G																																																		
2	ATEX II 1D																																																		
020 Extension rod; height of nozzle:																																																			
1	115mm; 150-250mm / 6-10"																																																		
2	215mm; 250-350mm / 10-14"																																																		
3	315mm; 350-450mm / 14-18"																																																		
4	415mm; 450-550mm / 18-22"																																																		
9	Special version; TSP no. to be specified																																																		
030 Centering disk:																																																			
A	Not selected																																																		
B	DN40 / 1-1/2", inside-d. = 40-45mm, PPS																																																		
C	DN50 / 2", inside-d. = 50-57mm, PPS																																																		
D	DN80 / 3", inside-d. = 80-85mm, PPS																																																		
E	DN80 / 3", inside-d. = 76-78mm, PPS																																																		
G	DN100 / 4", inside-d. = 100-110mm, PPS																																																		
H	DN150 / 6", inside-d. = 152-164mm, PPS																																																		
J	DN200 / 8", inside-d. = 210-215mm, PPS																																																		
K	DN250 / 10", inside-d. = 253-269mm, PPS																																																		
Y	Special version; TSP no. to be specified																																																		

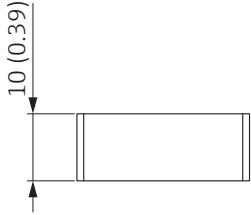
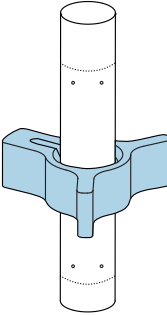
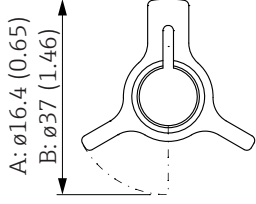

Mounting kit, insulated

Accessories	Description
<p>Mounting kit, insulated suitable for</p> <ul style="list-style-type: none"> ■ FMP51 ■ FMP54 	<div style="text-align: right; font-size: small; margin-bottom: 10px;">A0013586</div>  <p>☑ 63 Scope of delivery of mounting kit:</p> <ul style="list-style-type: none"> 1 Insulation sleeve 2 Eye bolt <p>To secure rope probes so that they are reliably insulated. Maximum process temperature: 150 °C (300 °F)</p> <p>For rope probes 4 mm (1/8 in) or 6 mm (1/4 in) with PA>steel :</p> <ul style="list-style-type: none"> ■ Diameter D = 20 mm (0.8 in) ■ Order number: 52014249 <p>For rope probes 6 mm (1/4 in) or 8 mm (1/3 in) with PA>steel:</p> <ul style="list-style-type: none"> ■ Diameter D = 25 mm (1 in) ■ Order number: 52014250 <p>Due to the risk of electrostatic charge, the insulation sleeve is not suitable for use in hazardous areas! In this case, the probe must be secured so that it is reliably grounded.</p> <p>i The mounting kit can also be ordered directly with the device (Levelflex product structure, feature 620 "Accessory enclosed", version PG "mounting kit, insulated, rope").</p>

Centering star

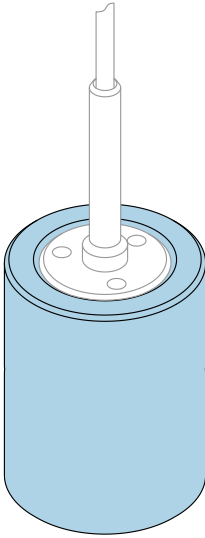
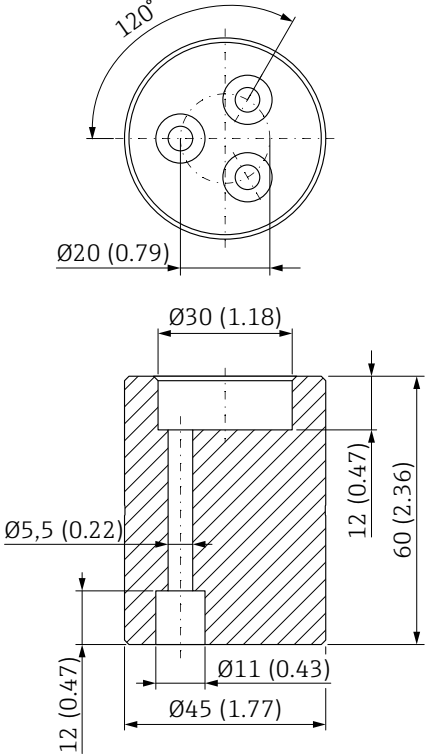
Accessories	Description
<p>Centering star PEEK ϕ 48-95 mm suitable for</p> <ul style="list-style-type: none"> ■ FMP51 ■ FMP54 	<p>The centering star is suitable for probes with a rod diameter of 16 mm (0.6 in) and can be used in pipes from DN50 to DN100. The markings make it easier to cut to size, ensuring that the centering star can be adjusted to the pipe diameter. See also Operating Instructions SD02316F.</p> <ul style="list-style-type: none"> ■ Material of centering star: PEEK ■ Material of retaining rings: PH15-7Mo (UNS S15700) ■ Permitted process temperature range: -60 to +250 °C (-76 to +482 °F) ■ Order number: 71069064 <p>i If the centering star is used in a bypass, it must be positioned below the lower bypass outlet. This must be taken into account when choosing the probe length. In general, the centering star should not be mounted more than 50 mm (1.97") above the probe tip. It is advised not to use the PEEK centering star in the measuring range of the rod probe.</p> <p>i The PEEK centering star can also be ordered directly with the device (Levelflex product structure, feature 610 "Accessory mounted", option OD). In this case, it is not secured to the rod using the retaining rings, but instead is secured using a hexagonal-headed bolt (A4-70) and a Nord Lock washer (1.4547) at the tip of the probe rod.</p>

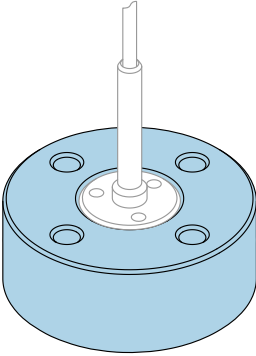
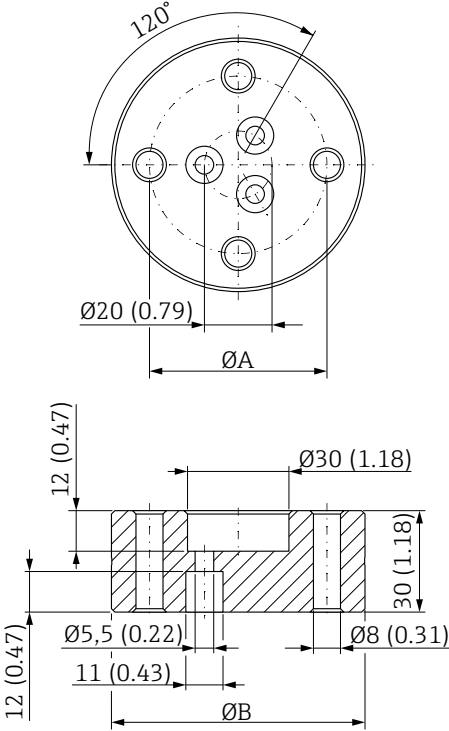
A0014576

Accessories	Description
<p>Centering star PFA</p> <ul style="list-style-type: none"> ■ ϕ 16.4 mm (0.65 in) ■ ϕ 37 mm (1.46 in) <p>suitable for</p> <ul style="list-style-type: none"> ■ FMP51 ■ FMP52 ■ FMP54 	<div style="text-align: right; margin-bottom: 10px;">  </div> <div style="display: flex; justify-content: space-around; align-items: center;">   </div> <p style="text-align: right; margin-top: 10px;">A0014577</p> <p>A For probe 8 mm (0.3 in) B For probes 12 mm (0.47 in) and 16 mm (0.63 in)</p> <p>The centering star is suitable for probes with a rod diameter of 8 mm (0.3 in), 12 mm (0.47 in) and 16 mm (0.63 in) (including coated rod probes) and can be used in pipes from DN40 to DN50. See also Operating Instructions BA00378F/00/A2.</p> <ul style="list-style-type: none"> ■ Material: PFA ■ Permitted process temperature range: -200 to +250 °C (-328 to +482 °F) ■ Order number <ul style="list-style-type: none"> ■ Probe 8 mm (0.3 in) : 71162453 ■ Probe 12 mm (0.47 in): 71157270 ■ Probe 16 mm (0.63 in): 71069065 <p> The PFA centering star can also be ordered directly with the device (Levelflex product structure, feature 610 "Accessory mounted", option OE).</p>

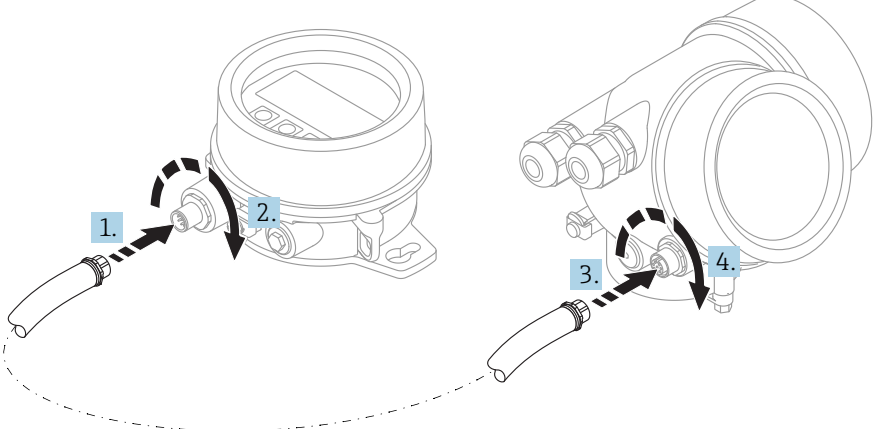
Accessories	Description
<p>Centering star PEEK, Ø 48 to 95 mm (1.9 to 3.7 in) suitable for</p> <ul style="list-style-type: none"> ▪ FMP51 ▪ FMP52 ▪ FMP54 	<div style="text-align: right; margin-bottom: 10px;"> </div> <p>The centering star is suitable for probes with a rope diameter of 4 mm (1/6 in) (including coated rope probes). See also Operating Instructions SD01961F.</p> <ul style="list-style-type: none"> ▪ Material: PEEK ▪ Permitted process temperature range: -60 to +250 °C (-76 to +482 °F) ▪ Order number <ul style="list-style-type: none"> ▪ 71373490 (1x) ▪ 71373492 (5x) <p style="text-align: right; font-size: small;">A0035182</p>

Centering weight

Accessories	Description
<p>Centering weight 316L Ø 45 mm (1.77 in) suitable for</p> <ul style="list-style-type: none"> ■ FMP51 ■ FMP54 	<div style="display: flex; align-items: center;">  <div style="margin-left: 20px;">  </div> </div> <p style="text-align: right; font-size: small;">A0038923</p> <p>The centering weight is suitable for probes with a rope diameter of 4 mm (1/8 in) and can be used in DN50/2" pipes.</p> <p>Material: 316L</p> <p>The centering weight can be ordered directly with the device (product structure Levelflex) or as a probe without a process connection (product structure XPF0005-) using feature 610 "Accessory mounted", version OK (for pipe DN50/2").</p>

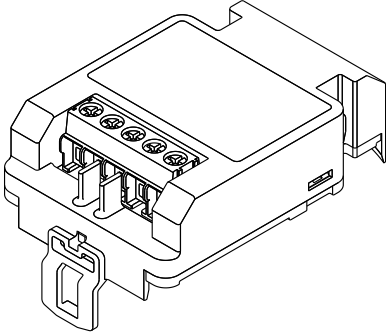
Accessories	Description
<p>Centering weight 316L</p> <ul style="list-style-type: none"> ■ ϕ 75 mm (2.95 in) ■ ϕ 95 mm (3.7 in) <p>suitable for</p> <ul style="list-style-type: none"> ■ FMP51 ■ FMP54 	<div style="display: flex; justify-content: space-around; align-items: center;">   </div> <p style="text-align: right; font-size: small;">A0038924</p> <p>ϕA = 52.5 mm (2.07 in) for DN80/3" pipe = 62.5 mm (2.47 in) for DN100/4" pipe</p> <p>ϕB = 75 mm (2.95 in) for DN80/3" pipe = 95 mm (3.7 in) for DN100/4" pipe</p> <p>The centering weight is suitable for probes with a rope diameter of 4 mm (1/6 in) and can be used in DN80/3" or DN100/4" pipes.</p> <p>Material: 316L</p> <p>The centering weight can be ordered directly with the device (product structure Levelflex) or as a probe without a process connection (product structure XPF0005-) using feature 610 "Accessory mounted", version OL (for pipe DN80/3") or OM (for pipe DN100/4").</p>

Remote display FHX50

Accessories	Description
Remote display FHX50	<div style="text-align: center;">  </div> <p style="text-align: right; font-size: small;">A0019128</p> <ul style="list-style-type: none"> ▪ Material: <ul style="list-style-type: none"> ▪ Plastic PBT ▪ 316L/1.4404 ▪ Aluminum ▪ Degree of protection: IP68 / NEMA 6P and IP66 / NEMA 4x ▪ Suitable for display modules: <ul style="list-style-type: none"> ▪ SD02 (push buttons) ▪ SD03 (touch control) ▪ Connecting cable: <ul style="list-style-type: none"> ▪ Cable supplied with device up to 30 m (98 ft) ▪ Standard cable supplied by customer up to 60 m (196 ft) ▪ Ambient temperature range: -40 to 80 °C (-40 to 176 °F) ▪ Ambient temperature range (option): -50 to 80 °C (-58 to 176 °F) ¹⁾ <p> i ▪ If the remote display should be used, order the device version "Prepared for display FHX50" (feature 030, version L, M or N). For the FHX50, you must select option A: "Prepared for display FHX50" under feature 050 "Measuring device version". </p> <p> i ▪ If the device version "Prepared for display FHX50" was not originally ordered and a FHX50 display is to be retrofitted, you must select version B "Not prepared for display FHX50" under feature 050: "Measuring device version" when ordering the FHX50. In this case, a retrofit kit for the device is supplied with the FHX50. The kit can be used to prepare the device so that the FHX50 can be used. </p> <p> i Use of the FHX50 may be restricted for transmitters with an approval. A device can only be retrofitted with the FHX50 if the option L, M or N ("Prepared for FHX50") is listed under <i>Basic specifications</i>, item 4 "Display, operation" in the Safety Instructions (XA) for the device. Also pay attention to the Safety Instructions (XA) of the FHX50. </p> <p> i Retrofitting is not possible on transmitters with: <ul style="list-style-type: none"> ▪ An approval for use in areas with flammable dust (dust ignition-proof approval) ▪ Ex nA type of protection </p> <p> i For details, see document SD01007F. </p>

1) This range is valid if option JN "Ambient temperature transmitter -50 °C (-58 °F)" has been selected in ordering feature 580 "Test, Certificate". If the temperature is permanently below -40 °C (-40 °F), failure rates may be increased.

Overvoltage protection

Accessories	Description
<p>Overvoltage protection for 2-wire devices OVP10 (1-channel) OVP20 (2-channel)</p>	<div style="text-align: right; font-size: small;">A0021734</div>  <p>Technical data</p> <ul style="list-style-type: none"> ■ Resistance per channel: $2 \times 0.5 \Omega_{\max}$ ■ Threshold DC voltage: 400 to 700 V ■ Threshold surge voltage: < 800 V ■ Capacitance at 1 MHz: < 1.5 pF ■ Nominal leakage current (8/20 μs): 10 kA ■ Suitable for conductor cross-sections: 0.2 to 2.5 mm² (24 to 14 AWG) <p>i Ordered with the device Ideally, the overvoltage protection module should be ordered directly with the device. See product structure, feature 610 "Accessory mounted", option NA "Overvoltage protection". Separate order necessary only if retrofitting.</p> <p>i Order numbers for retrofitting</p> <ul style="list-style-type: none"> ■ For 1-channel devices (feature 020, option A): OVP10: 71128617 ■ For 2-channel devices (feature 020, options B, C, E or G) OVP20: 71128619 <p>Housing cover for retrofitting In order to keep the necessary safety distances when using the surge arrester module, the housing cover also needs to be replaced when the device is retrofitted. Depending on the housing type, the suitable cover can be ordered using the following material number:</p> <ul style="list-style-type: none"> ■ Housing GT18: cover 71185516 ■ Housing GT19: cover 71185518 ■ Housing GT20: cover 71185517 <p>i Restrictions in case of retrofitting The use of the OVP module may be restricted depending on the transmitter approval. A device may only be retrofitted with the OVP module if the option NA (overvoltage protection) is listed under <i>Optional specifications</i> in the Safety Instructions (XA) associated with the device.</p> <p>i For details, see SD01090F.</p>

Bluetooth module for HART devices

Accessory	Description
Bluetooth module	<div data-bbox="325 315 975 763" data-label="Image"> </div> <div data-bbox="1382 768 1437 784" data-label="Text">A0036493</div> <ul style="list-style-type: none"> ▪ Quick and easy commissioning via SmartBlue (app) ▪ No additional tools or adapters required ▪ Signal curve via SmartBlue (app) ▪ Encrypted single point-to-point data transmission (tested by Fraunhofer institute) and password protected communication via Bluetooth® wireless technology ▪ Range under reference conditions: > 10 m (33 ft) <p>i When using the Bluetooth module the minimum supply voltage increases by up to 3 V.</p> <p>i Ordering with device The Bluetooth module is preferably ordered with the device. See product structure, feature 610 "Accessory Mounted", option NF "Bluetooth". A separate order is only necessary in case of retrofitting.</p> <p>i Order code for retrofitting Bluetooth module (BT10): 71377355</p> <p>i Restrictions in case of retrofitting Depending on the approval of the transmitter, application of the Bluetooth module may be restricted. A device may only be retrofitted with a Bluetooth module if the option <i>NF</i> (Bluetooth) is listed in the associated Safety Instructions (XA) under <i>Optional specifications</i>.</p> <p>i For details refer to SD02252F.</p>

Communication-specific accessories

Commubox FXA195 HART

For intrinsically safe HART communication with FieldCare via the USB interface

 For details, see "Technical Information" TI00404F

Commubox FXA291

Connects Endress+Hauser field devices with a CDI interface (= Endress+Hauser Common Data Interface) and the USB port of a computer or laptop

Order number: 51516983

 For details, see "Technical Information" TI00405C

HART Loop Converter HMX50

Is used to evaluate and convert dynamic HART process variables to analog current signals or limit values

Order number: 71063562

 For details, see "Technical Information" TI00429F and Operating Instructions BA00371F


WirelessHART adapter SWA70

- Is used for the wireless connection of field devices
- The WirelessHART adapter can be easily integrated into field devices and existing infrastructures, offers data protection and transmission safety and can be operated in parallel with other wireless networks

 For details, see Operating Instructions BA00061S


Connect Sensor FXA30/FXA30B

Fully integrated, battery-powered gateway for simple applications with SupplyCare Hosting. Up to 4 field devices with 4 to 20 mA communication (FXA30/FXA30B), serial Modbus (FXA30B) or HART (FXA30B) can be connected. With its robust design and ability to run for years on the battery, it is ideal for remote monitoring in isolated locations. Version with LTE (USA, Canada and Mexico only) or 3G mobile transmission for worldwide communication.

 For details, see "Technical Information" TI01356S and Operating Instructions BA01710S.

Fieldgate FXA42


Fieldgates enable communication between connected 4 to 20 mA, Modbus RS485 and Modbus TCP devices and SupplyCare Hosting or SupplyCare Enterprise. The signals are transmitted either via Ethernet TCP/IP, WLAN or mobile communications (UMTS). Advanced automation capabilities are available, such as an integrated Web-PLC, OpenVPN and other functions.

 For details, see "Technical Information" TI01297S and Operating Instructions BA01778S.

SupplyCare Enterprise SCE30B

Inventory management software that displays the level, volume, mass, temperature, pressure, density or other parameters of tanks. The parameters are recorded and transmitted by means of gateways like Fieldgate FXA42, Connect Sensor FXA30B or other gateway types.

This Web-based software is installed on a local server and can also be visualized and operated with mobile terminals such as a smartphone or tablet.

 For details, see Technical Information TI01228S and Operating Instructions BA00055S

SupplyCare Hosting SCH30

Inventory management software that displays the level, volume, mass, temperature, pressure, density or other parameters of tanks. The parameters are recorded and transmitted by means of gateways like Fieldgate FXA42, Connect Sensor FXA30B or other gateway types.

SupplyCare Hosting is offered as a hosting service (Software as a Service, SaaS). In the Endress+Hauser portal, the user is provided with the data over the Internet.

 For details, see Technical Information TI01229S and Operating Instructions BA00050S

Field Xpert SFX350

Field Xpert SFX350 is a mobile computer for commissioning and maintenance. It enables efficient device configuration and diagnostics for HART and FOUNDATION Fieldbus devices in the **non-Ex area**.

 For details, see Operating Instructions BA01202S

Field Xpert SFX370

Field Xpert SFX370 is a mobile computer for commissioning and maintenance. It enables efficient device configuration and diagnostics for HART and FOUNDATION Fieldbus devices in the **non-Ex area** and the **Ex area**.

 For details, see Operating Instructions BA01202S

Service-specific accessories

DeviceCare SFE100


Configuration tool for HART, PROFIBUS and FOUNDATION Fieldbus field devices

 Technical Information TI01134S

FieldCare SFE500

FDT-based plant asset management tool

It can configure all smart field units in your system and helps you manage them. By using the status information, it is also a simple but effective way of checking their status and condition.

 Technical Information TI00028S

System components

Memograph M graphic data manager

The Memograph M graphic data manager provides information on all the relevant process variables. Measured values are recorded correctly, limit values are monitored and measuring points analyzed. The data are stored in the 256 MB internal memory and also on a SD card or USB stick.

 Technical Information TI00133R and Operating Instructions BA00247R

RN221N

Active barrier with power supply for safe separation of 4 to 20 mA standard signal circuits. Offers bidirectional HART transmission.

 Technical Information TI00073R and Operating Instructions BA00202R


RN221

Supply unit for powering two 2-wire measuring devices solely in the non-Ex area. Bidirectional communication is possible via the HART communication jacks.

 Technical Information TI00081R and Brief Operating Instructions KA00110R

Supplementary documentation

The following documentation types are available in the Downloads section of the Endress+Hauser website (www.endress.com/downloads):

-  For an overview of the scope of the associated Technical Documentation, refer to the following:
 - *W@M Device Viewer* (www.endress.com/deviceviewer): Enter the serial number from nameplate
 - *Endress+Hauser Operations App*: Enter the serial number from the nameplate or scan the 2D matrix code (QR code) on the nameplate

Brief Operating Instructions (KA)

Guide that takes you quickly to the 1st measured value

The Brief Operating Instructions contain all the essential information from incoming acceptance to initial commissioning.

Operating Instructions (BA)

Your reference guide

These Operating Instructions contain all the information that is required in various phases of the life cycle of the device: from product identification, incoming acceptance and storage, to mounting, connection, operation and commissioning through to troubleshooting, maintenance and disposal.

Safety Instructions (XA)

Depending on the approval, the following Safety Instructions (XA) are supplied with the device. They are an integral part of the Operating Instructions.

 The nameplate indicates the Safety Instructions (XA) that are relevant to the device.



71488021

www.addresses.endress.com
